

TSD-45-12

12.1" Waterproof Monitor



Key Highlights

- 12.1" Resistive or Projected Capacitive Touchscreen
- Full-Flush LCD Display
- IP66/IP69K Fully Enclosed Fanless Design
- Optional 1000 nit High Brightness and Optical Bonding
- Grade 304 Stainless Steel Enclosure
- M12 Metal I/O Connectors

[VIEW ONLINE](#)

This waterproof monitor is built for tough environments including food and beverage manufacturing, clean rooms, and even outdoor applications. The grade 304 stainless steel housing ensures that this unit will not rust, even if exposed to water and moisture daily. There is also an option to upgrade to grade 316L stainless steel, for settings exposed to salt water. The TSD-45-12 is fanless, IP66/IP69K rated, and NEMA 4x compliant. This series comes in screen sizes from 10-24" and in various screen ratios, so you can choose the best configuration for your application. The TSD-45-12 includes on-screen display (OSD) controls on the back of the unit for quick adjustment of your display settings, and it comes with M12 metal connectors for the power supply and IOs. [>> Watch Teguar's waterproof monitor perform at sea](#)

USA

Teguar
2920 Whitehall Park Drive
Charlotte, NC 28273
+1 866-693-3105
sales@teguar.com

EUROPE

Teguar Europe AG
Churerstrasse 54, CH-8808
Pfäffikon, Switzerland
+41 41 561 53 11
sales.EU@teguar.com

ASIA

Teguar Taiwan Ltd.
Rm. A, 28F-12., No.99, Sec. 1, Xintai 5th Rd.,
Xizhi Dist., New Taipei City 221, Taiwan (R.O.C.)
+886 2 7751 5319
sales@teguar.com.tw

Technical Specifications

Display

Screen Size	12.1"
Screen Resolution	800 x 600 (SVGA), Optional 1024 x 768
Screen Ratio	4:03
Brightness	450 nits, Optional 1000 nit High Brightness

Power

Input Voltage Range	9-36V DC
---------------------	----------

Thermal & Environmental

Operating Temperature	-20°C - 60°C (-4°F - 140°F)
Storage Temperature	-30°C - 70°C (-22°F - 158°F)
Cooling Solution	Passive - Fanless
Humidity Range	10% - 90% Non-condensing

Weight / Dimensions

Weight	4.6 kg (10.1 lbs)
Dimensions	335 x 265 x 53 mm (13.2 x 10.4 x 2.1 in)

Touch Screen

Touch Screen	Projected Capacitive, Resistive
--------------	---------------------------------

External I/O Ports

USB	1x MI2 USB
Power Input Port	MI2 type 3-PIN DC-in

Multimedia

Speakers	Optional Speaker
----------	------------------

Enclosure

Material	Optional SUS316 Stainless Steel, SUS304 Stainless Steel
IP Rating	IP66, IP69K
Control Buttons	On-Screen Display (OSD), Touchscreen Lock for Cleaning
Mounting Options	VESA 75 Mount, Yoke Mount

Certification

Certifications	CE, FCC Class A
----------------	-----------------

Warranty

Warranty	Up to 5 Years
----------	---------------

Specifications subject to change.

USA

Teguar
2920 Whitehall Park Drive
Charlotte, NC 28273
+1 866-693-3105
sales@teguar.com

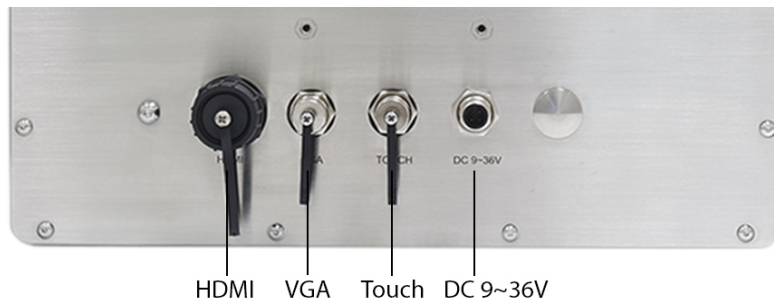
EUROPE

Teguar Europe AG
Churerstrasse 54, CH-8808
Pfäffikon, Switzerland
+41 41 561 53 11
sales.EU@teguar.com

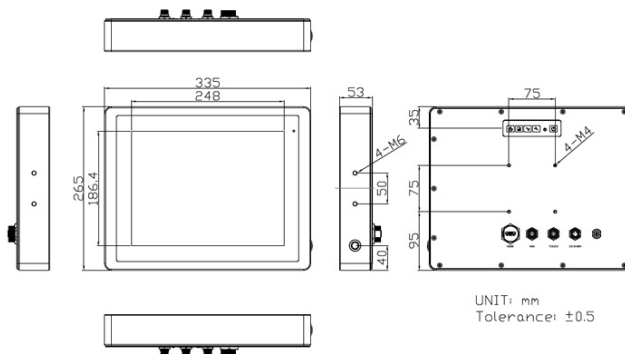
ASIA

Teguar Taiwan Ltd.
Rm. A, 28F-12., No.99, Sec. 1, Xintai 5th Rd.,
Xizhi Dist., New Taipei City 221, Taiwan (R.O.C.)
+886 2 7751 5319
sales@teguar.com.tw

I/O Diagram Images



Tech Diagram Images



USA

Teguar
2920 Whitehall Park Drive
Charlotte, NC 28273
+1 866-693-3105
sales@teguar.com

EUROPE

Teguar Europe AG
Churerstrasse 54, CH-8808
Pfäffikon, Switzerland
+41 41 561 53 11
sales.EU@teguar.com

ASIA

Teguar Taiwan Ltd.
Rm. A, 28F-12., No.99, Sec. 1, Xintai 5th Rd.,
Xizhi Dist., New Taipei City 221, Taiwan (R.O.C.)
+886 2 7751 5319
sales@teguar.com.tw