

TSD-45-10

10.1" Waterproof Display



Key Highlights

- 10.1" Flush LCD Touchscreen
- IP66/IP69K Fully Enclosed Fanless Design
- HDMI and VGA Inputs
- Grade 304 Stainless Steel Enclosure
- Resistive or Projected Capacitive Touchscreen
- M12 Metal I/O Connectors

[VIEW ONLINE](#)

The TSD-45-10 widescreen monitor is fully waterproof, ideal for food and beverage manufacturing, clean rooms, and even outdoor applications. This fully enclosed, fanless monitor is IP66/IP69K rated and NEMA 4x compliant. The grade 304 stainless steel housing ensures that this unit will not rust, even if exposed to water and moisture daily. There is also an option to upgrade to grade 316L stainless steel, for settings exposed to salt water. The TSD-45 series comes in screen sizes up to 24" and in various screen ratios, so you can choose the best configuration for your application. This series also comes with M12 waterproof connectors to protect the power supply and IOs. The TSD-45-10 includes on-screen display (OSD) controls on the back of the unit for quick adjustment of your display settings. [>> Watch TEGUAR's waterproof monitor perform at sea >> Read an independent review of the TSD-45-10 by ruggedpcreview.com](#)

USA

Teguar
2920 Whitehall Park Drive
Charlotte, NC 28273
+1 866-693-3105
sales@teguar.com

EUROPE

Teguar Europe AG
Churerstrasse 54, CH-8808
Pfäffikon, Switzerland
+41 41 561 53 11
sales.EU@teguar.com

ASIA

Teguar Taiwan Ltd.
Rm. A, 28F-12., No.99, Sec. 1, Xintai 5th Rd.,
Xizhi Dist., New Taipei City 221, Taiwan (R.O.C.)
+886 2 7751 5319
sales@teguar.com.tw

Technical Specifications

Display

Screen Size	10.1"
Screen Resolution	1280 x 800 (WXGA)
Screen Ratio	16:10
Brightness	350 nits, Optional 1000 nit High Brightness

Power

Input Voltage Range	9-36V DC
---------------------	----------

Thermal & Environmental

Operating Temperature	-20°C - 60°C (-4°F - 140°F)
Storage Temperature	-30°C - 70°C (-22°F - 158°F)
Cooling Solution	Passive - Fanless
Humidity Range	10% - 90% Non-condensing

Weight / Dimensions

Weight	3.6 kg (7.9 lbs)
Dimensions	300 x 220 x 53 mm (11.8 x 8.7 x 2.1 in)

Warranty

Warranty	Up to 5 Years
----------	---------------

Specifications subject to change.

Touch Screen

Touch Screen	Projected Capacitive, Resistive
--------------	---------------------------------

External I/O Ports

USB	1x M12 USB
Audio Ports	1x Audio Line-Out
Power Input Port	M12 type 3-PIN DC-in

Multimedia

Speakers	Optional Speaker
----------	------------------

Enclosure

Material	Optional SUS316 Stainless Steel, SUS304 Stainless Steel
IP Rating	IP66, IP69K
Control Buttons	On-Screen Display (OSD), Touchscreen Lock for Cleaning
Mounting Options	VESA 75 Mount, Wall Mount

Certification

Certifications	CE, FCC Class A
----------------	-----------------

USA

Teguar
2920 Whitehall Park Drive
Charlotte, NC 28273
+1 866-693-3105
sales@teguar.com

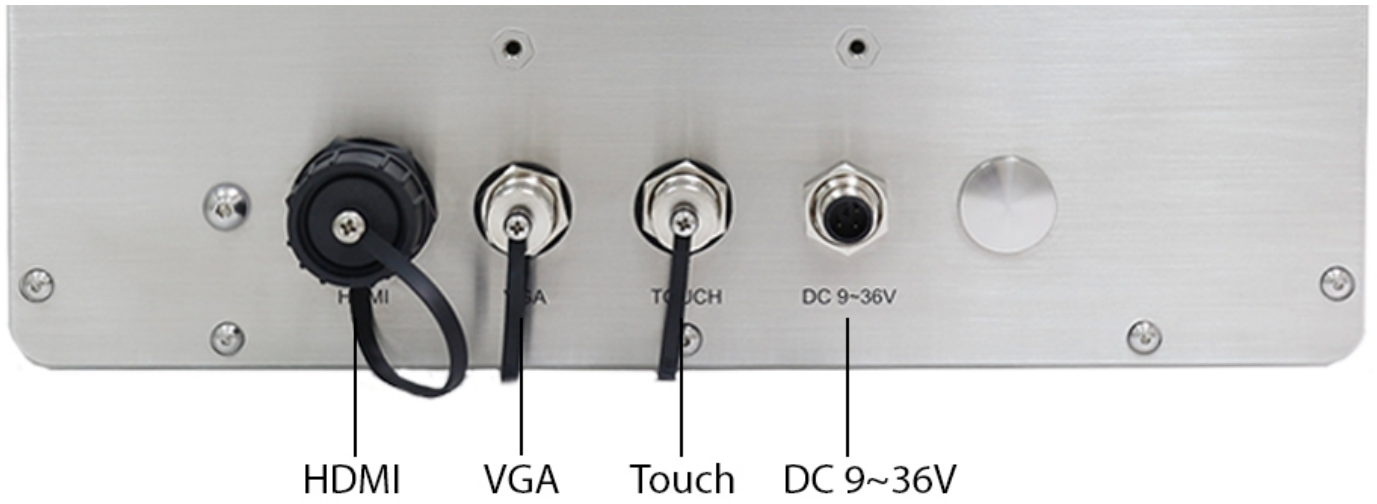
EUROPE

Teguar Europe AG
Churerstrasse 54, CH-8808
Pfäffikon, Switzerland
+41 41 561 53 11
sales.EU@teguar.com

ASIA

Teguar Taiwan Ltd.
Rm. A, 28F-12., No.99, Sec. 1, Xintai 5th Rd.,
Xizhi Dist., New Taipei City 221, Taiwan (R.O.C.)
+886 2 7751 5319
sales@teguar.com.tw

I/O Diagram Images



USA

Teguar
2920 Whitehall Park Drive
Charlotte, NC 28273
+1 866-693-3105
sales@teguar.com

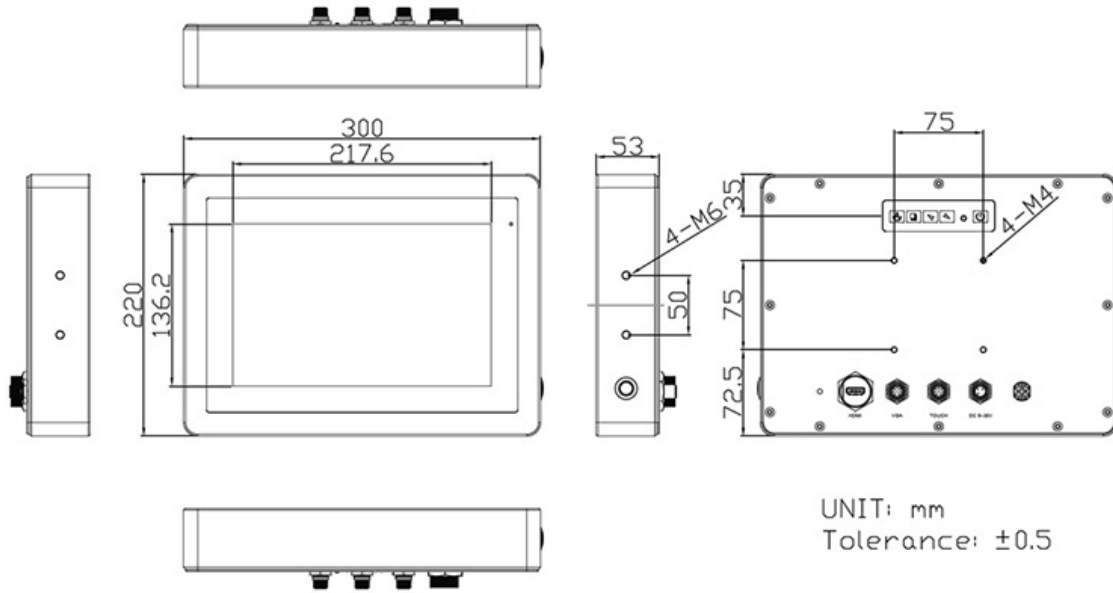
EUROPE

Teguar Europe AG
Churerstrasse 54, CH-8808
Pfäffikon, Switzerland
+41 41 561 53 11
sales.EU@teguar.com

ASIA

Teguar Taiwan Ltd.
Rm. A, 28F-12., No.99, Sec. 1, Xintai 5th Rd.,
Xizhi Dist., New Taipei City 221, Taiwan (R.O.C.)
+886 2 7751 5319
sales@teguar.com.tw

Tech Diagram Images



USA

Teguar
2920 Whitehall Park Drive
Charlotte, NC 28273
+1 866-693-3105
sales@teguar.com

EUROPE

Teguar Europe AG
Churerstrasse 54, CH-8808
Pfäffikon, Switzerland
+41 41 561 53 11
sales.EU@teguar.com

ASIA

Teguar Taiwan Ltd.
Rm. A, 28F-12., No.99, Sec. 1, Xintai 5th Rd.,
Xizhi Dist., New Taipei City 221, Taiwan (R.O.C.)
+886 2 7751 5319
sales@teguar.com.tw