

# TSC-7010-15

## 15" IP69K Computer | Trident



### Key Highlights

- 15" Touch Screens
- 12th Gen Intel Core i5 10-Core CPU
- Cable Gland for Sealed I/O Connections
- IP66, IP69K Waterproof Rating
- Windows 11 Compatible
- Dual 2.5 GbE LAN

[VIEW ONLINE](#)

The 15" IP69K Computer is efficient and reliable in demanding environments like food and beverage manufacturing, pharmaceutical production, and cleanroom applications. Powered by a 12th Gen Intel Core i5 10-Core CPU and equipped with Windows 11, it ensures robust performance and seamless operation. The sealed IO design allows for the use of standard cables, simplifying installation and maintenance processes. With IP66 and IP69K ratings, the TSC-7010-15 offers superior protection against dust, water, and high-pressure cleaning. Additionally, the inclusion of dual 2.5 GbE LAN ports enhances connectivity and facilitates fast data transfer, further optimizing workflow efficiency.

#### USA

Teguar  
2920 Whitehall Park Drive  
Charlotte, NC 28273  
+1 866-693-3105  
sales@teguar.com

#### EUROPE

Teguar Europe AG  
Churerstrasse 54, CH-8808  
Pfäffikon, Switzerland  
+41 41 561 53 11  
sales.EU@teguar.com

#### ASIA

Teguar Taiwan Ltd.  
Rm. A, 28F-12., No.99, Sec. 1, Xintai 5th Rd.,  
Xizhi Dist., New Taipei City 221, Taiwan (R.O.C.)  
+886 2 7751 5319  
sales@teguar.com.tw

# Technical Specifications

## Primary Components

Processor Family	Intel Core I series 12th Generation Alder Lake
Processor Model	Core i5-1245UE
Memory Type	2x DDR4 SO-DIMM
Memory Support	4GB, 6GB, 8GB, 16GB, 32GB, 64GB
Storage Type	1x 2.5" SATA Drive Bay for SSD/HDD
Storage Support	32GB-1TB

## External I/O Ports

USB	2x USB 2.0, 2x USB 3.2, 2x USB 3.2 Type C
Serial / Com	2x COM
Serial Protocol Detail	2x RS-232/422/485
Ethernet / LAN	2x RJ45 2.5 GbE LAN
Video Outputs	2x Display Port 1.4a via USB-C, 2x HDMI 2.0b
Audio Ports	1x Audio Line-Out, 1x Mic-In

## Compatibility

Security Hardware	TPM 2.0
-------------------	---------

## Multimedia

Speakers	Optional Speaker
----------	------------------

## Enclosure

Material	Optional SUS316 Stainless Steel, SUS304 Stainless Steel
IP Rating	IP66, IP69K
Color	Stainless Steel
Control Buttons	Brightness Down, Brightness Up, Power Button
Mounting Options	Swing Arm, Table Mount, VESA 100 Mount, Wall Mount

## Weight / Dimensions

Weight	8.4 kg (18.5 lbs)
Dimensions	395 x 310 x 105 mm (15.6 x 12.2 x 4.1 in)

## Certification

Certifications	CE, FCC, VCCI Class B
----------------	-----------------------

## Display

Screen Size	15"
Screen Resolution	1024 x 768 (XGA)
Screen Ratio	4:3
Brightness	350 nits, Optional 1000 nit High Brightness

## Touch Screen

Touch Screen	Projected Capacitive, Resistive
Hardness	Resistive: 3H, P-cap: 7H

## Power

Input Voltage Range	12-28V DC
Standard Power Adapter	AC 100 ~ 277V / 47 ~ 63 Hz / DC output 24V, 5A, 120W, IP68

## Operating Systems

Windows	Windows 10 IoT, Windows 10 Pro, Windows 11 Pro
Linux	Linux

## Expansion Slots

Internal M.2	1x M.2 3042/3052 Key B (For 4G/5G Cellular expansion option), 1x M.2 for NVME SSD Support, 1x M.2 Type E
--------------	--

## Thermal & Environmental

Operating Temperature	0°C - 40°C (32°F - 104°F)
Storage Temperature	-20°C - 60°C (-4°F - 140°F)
Cooling Solution	Passive - Fanless
Humidity Range	10% - 90% Non-condensing
Storage Humidity	10% - 90% Non-condensing

## Peripherals & Wireless Connectivity

WiFi	Optional WiFi + Bluetooth Flat Antenna Kit
Sim Card	1x Nano SIM Card Slot
Barcode Scanner	Optional 1D/2D Barcode Scanner
RFID	Optional RFID (Cannot coexist with barcode scanner)

## Warranty

Warranty	Up to 5 Years
----------	---------------

Specifications subject to change.

### USA

Teguar  
2920 Whitehall Park Drive  
Charlotte, NC 28273  
+1 866-693-3105  
sales@teguar.com

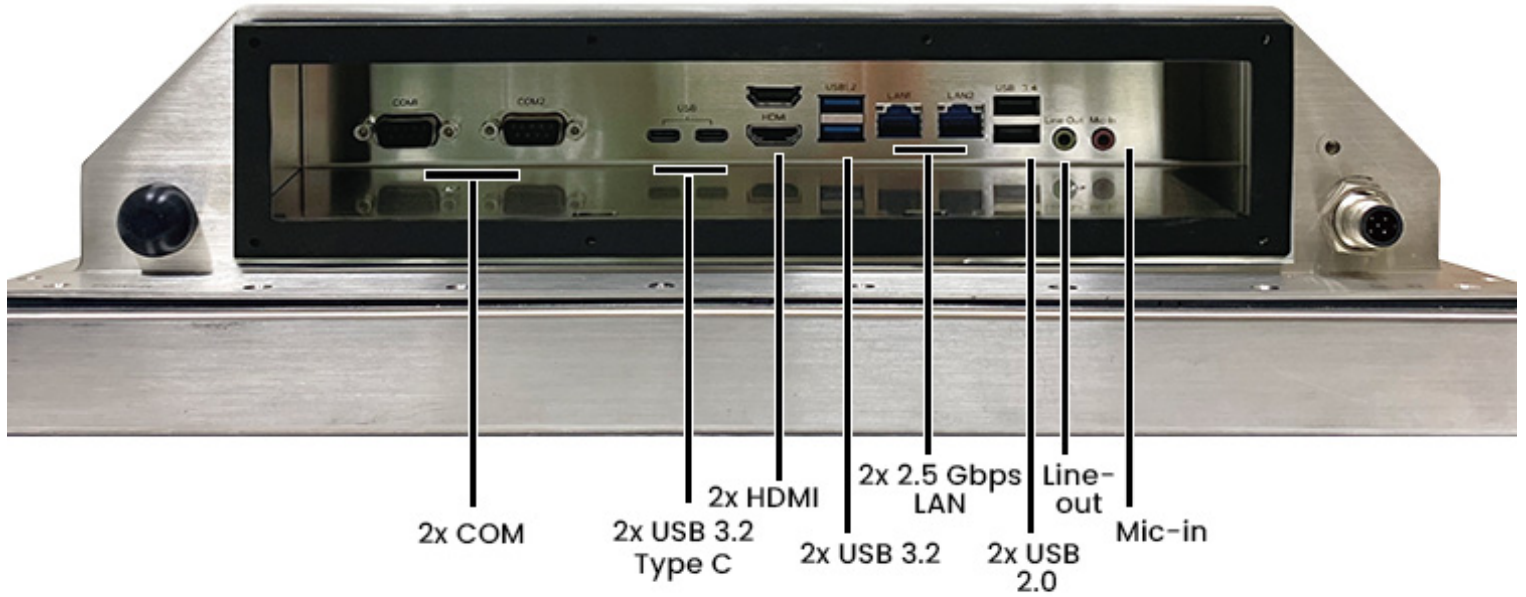
### EUROPE

Teguar Europe AG  
Churerstrasse 54, CH-8808  
Pfäffikon, Switzerland  
+41 41 561 53 11  
sales.EU@teguar.com

### ASIA

Teguar Taiwan Ltd.  
Rm. A, 28F-12., No.99, Sec. 1, Xintai 5th Rd.,  
Xizhi Dist., New Taipei City 221, Taiwan (R.O.C.)  
+886 2 7751 5319  
sales@teguar.com.tw

## I/O Diagram Images



### USA

Teguar  
2920 Whitehall Park Drive  
Charlotte, NC 28273  
+1 866-693-3105  
sales@teguar.com

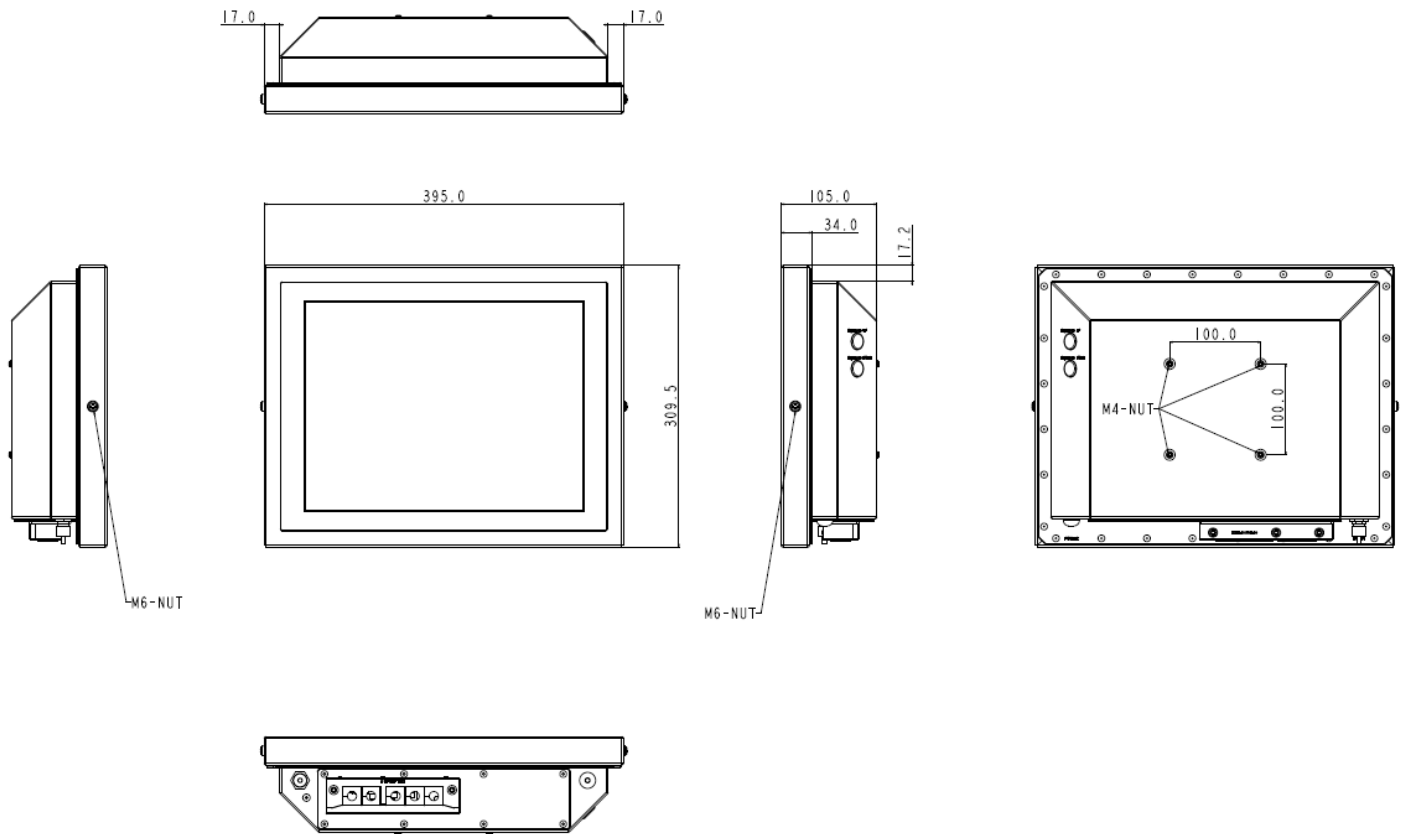
### EUROPE

Teguar Europe AG  
Churerstrasse 54, CH-8808  
Pfäffikon, Switzerland  
+41 41 561 53 11  
sales.EU@teguar.com

### ASIA

Teguar Taiwan Ltd.  
Rm. A, 28F-12., No.99, Sec. 1, Xintai 5th Rd.,  
Xizhi Dist., New Taipei City 221, Taiwan (R.O.C.)  
+886 2 7751 5319  
sales@teguar.com.tw

# Tech Diagram Images



## USA

Teguar  
2920 Whitehall Park Drive  
Charlotte, NC 28273  
+1 866-693-3105  
sales@teguar.com

## EUROPE

Teguar Europe AG  
Churerstrasse 54, CH-8808  
Pfäffikon, Switzerland  
+41 41 561 53 11  
sales.EU@teguar.com

## ASIA

Teguar Taiwan Ltd.  
Rm. A, 28F-12., No.99, Sec. 1, Xintai 5th Rd.,  
Xizhi Dist., New Taipei City 221, Taiwan (R.O.C.)  
+886 2 7751 5319  
sales@teguar.com.tw