

TSX-5010-15

15" Class 1 Division 2 Computer



Key Highlights

- 15" Full Flat Resistive Touch Panel
- Intel 6th Gen Core i5 CPU
- Class 1 Div 2, ATEX Zone 2, and IECEx Certified
- IP66 / NEMA 4X Enclosure
- Fully Sealed, Fanless Design

[VIEW ONLINE](#)

The TSX-5010-15 is an explosion proof panel PC certified for hazardous locations. This computer is C1D2, ATEX Zone 2, and IECEx certified, as well as IP66 / NEMA 4X compliant, and it features an Intel Skylake processor and Intel Graphics HD. This rugged PC is built with SUS304 stainless steel and it has a wide operating temperature of -20 ~ 60 °C. The 15" resistive touchscreen has a 4:3 aspect ratio, ideal for many HMI and SCADA applications. The TSX-5010-15 has 4x USB, 2x LAN, and 2x COM ports. The TSX-5010-15 is available with an optional wall mount bracket, desktop stand, panel mount front bezel, or the VESA mounting holes can be used.

USA

Teguar
2920 Whitehall Park Drive
Charlotte, NC 28273
+1 866-693-3105
sales@teguar.com

EUROPE

Teguar Europe AG
Churerstrasse 54, CH-8808
Pfäffikon, Switzerland
+41 41 561 53 11
sales.EU@teguar.com

ASIA

Teguar Taiwan Ltd.
Rm. A, 28F-12., No.99, Sec. 1, Xintai 5th Rd.,
Xizhi Dist., New Taipei City 221, Taiwan (R.O.C.)
+886 2 7751 5319
sales@teguar.com.tw

Technical Specifications

Primary Components

Processor Family	Intel Core I series 6th Generation Skylake
Processor Model	Core i5-6200U
Processor Speed	2.3 GHz
Memory Type	2x DDR4 SO-DIMM
Memory Support	4GB, 8GB, 16GB, 32GB
Storage Type	1x 2.5" SATA Drive Bay for SSD/HDD
Storage Support	128GB - 512GB

Power

Standard Power Adapter	100W AC-DC power adapter with 24V DC output, 1.2M cable, 100W AC-DC power adapter with 24V DC output, 50M cable (optional)
------------------------	--

Operating Systems

Windows	Windows 10 IoT, Windows 10 Pro
---------	--------------------------------

Compatibility

Security Hardware	Optional TPM 2.0
-------------------	------------------

Thermal & Environmental

Operating Temperature	-20°C - 60°C (-4°F - 140°F)
Storage Temperature	-20°C - 60°C (-4°F - 140°F)
Cooling Solution	Passive - Fanless
Humidity Range	10% - 90% Non-condensing

Weight / Dimensions

Weight	11 kg (24.3 lbs)
Dimensions	435 x 350 x 84 mm (17.1 x 13.8 x 3.3 in)

Specifications subject to change.

Display

Screen Size	15"
Screen Resolution	1024 x 768 (XGA)
Screen Ratio	4:3
Brightness	450 nits

Touch Screen

Touch Screen	Resistive
--------------	-----------

External I/O Ports

USB	4x USB 2.0
Serial / Com	2x COM
Serial Protocol Detail	2x MI2 8-pin RS-232
Ethernet / LAN	2x RJ45 GbE LAN
Other Ports	Cable Glands - 4x Empty (Populate with USB and LAN)

Expansion Slots

Internal M.2	1x M.2 Type E
Video Card Support	Intel Graphics HD

Enclosure

Material	SUS304 Stainless Steel
Mounting Options	Panel Mount Bezel (optional), VESA 100 Mount, Yoke Mount

Certification

Certifications	CE, FCC Class B, Hazardous Location (C1D2, ATEX Zone2, IECEx), IEC 62368
----------------	--

Warranty

Warranty	Up to 5 Years
----------	---------------

USA

Teguar
2920 Whitehall Park Drive
Charlotte, NC 28273
+1 866-693-3105
sales@teguar.com

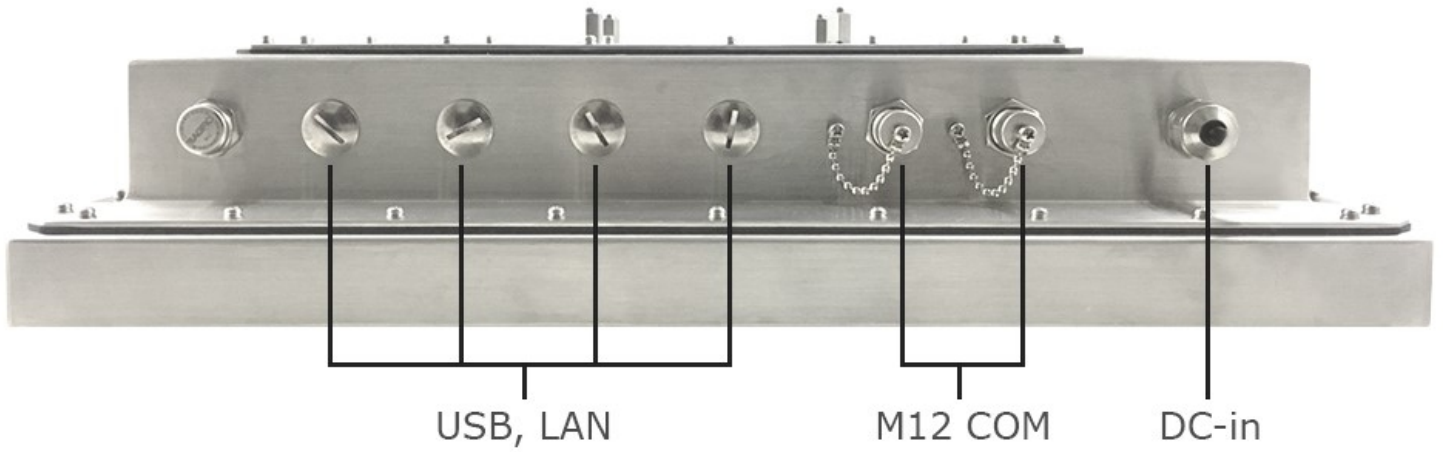
EUROPE

Teguar Europe AG
Churerstrasse 54, CH-8808
Pfäffikon, Switzerland
+41 41 561 53 11
sales.EU@teguar.com

ASIA

Teguar Taiwan Ltd.
Rm. A, 28F-12., No.99, Sec. 1, Xintai 5th Rd.,
Xizhi Dist., New Taipei City 221, Taiwan (R.O.C.)
+886 2 7751 5319
sales@teguar.com.tw

I/O Diagram Images



USA

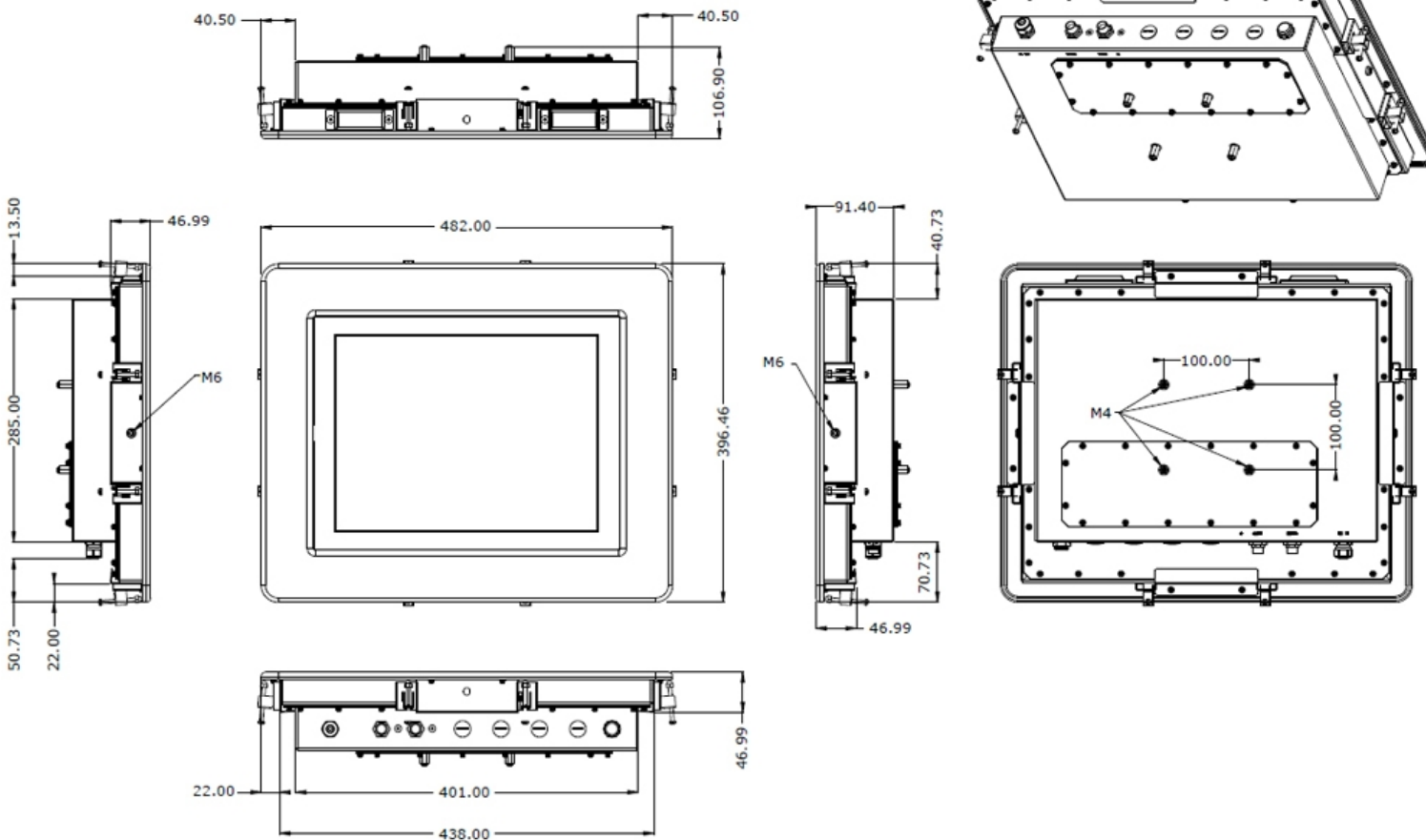
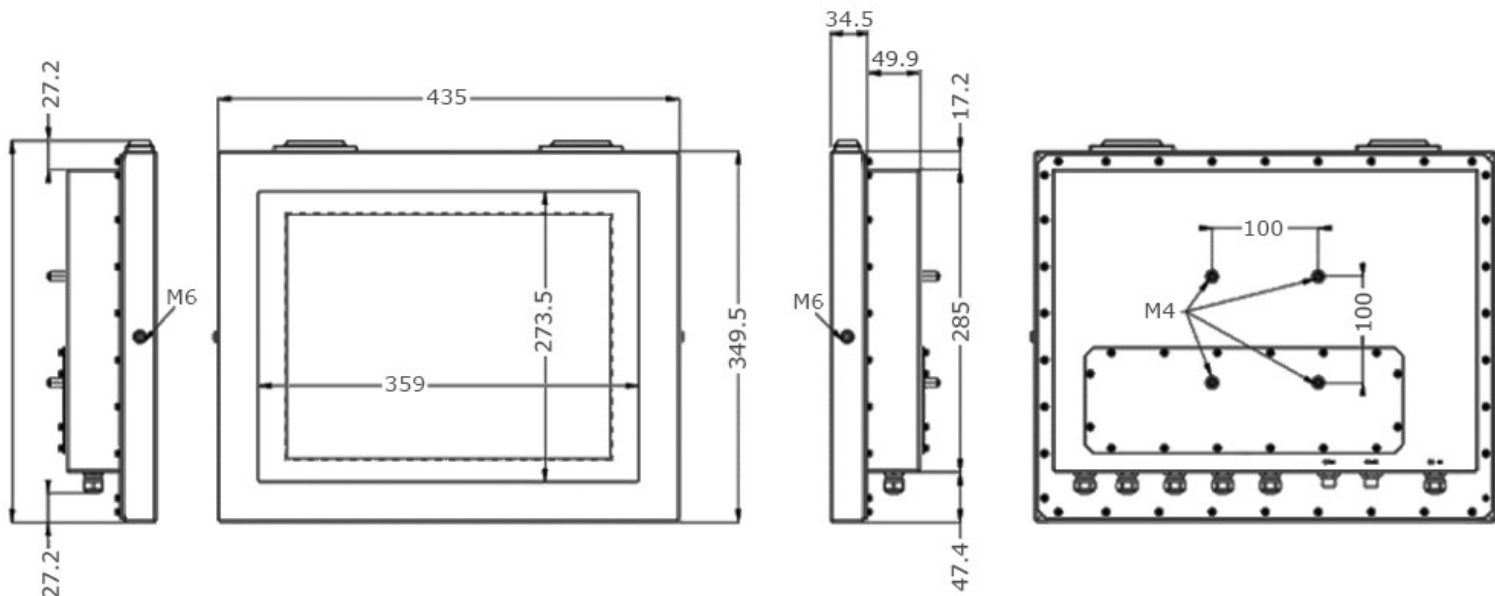
Teguar
2920 Whitehall Park Drive
Charlotte, NC 28273
+1 866-693-3105
sales@teguar.com

EUROPE

Teguar Europe AG
Churerstrasse 54, CH-8808
Pfäffikon, Switzerland
+41 41 561 53 11
sales.EU@teguar.com

ASIA

Teguar Taiwan Ltd.
Rm. A, 28F-12., No.99, Sec. 1, Xintai 5th Rd.,
Xizhi Dist., New Taipei City 221, Taiwan (R.O.C.)
+886 2 7751 5319
sales@teguar.com.tw



USA

Teguar
2920 Whitehall Park Drive
Charlotte, NC 28273
+1 866-693-3105
sales@teguar.com

EUROPE

Teguar Europe AG
Churerstrasse 54, CH-8808
Pfäffikon, Switzerland
+41 41 561 53 11
sales.EU@teguar.com

ASIA

Teguar Taiwan Ltd.
Rm. A, 28F-12., No.99, Sec. 1, Xintai 5th Rd.,
Xizhi Dist., New Taipei City 221, Taiwan (R.O.C.)
+886 2 7751 5319
sales@teguar.com.tw