

TSP-5045-15

15" Industrial Touch Screen PC



Key Highlights

- 15" LCD Touchscreen
- Intel 6th Gen. Core i3/i5 CPU
- Grade 304 Stainless Steel Bezel
- IP66/IP69K Compliant Front
- Wide Range DC 9~36V Power Input

[VIEW ONLINE](#)

The TSP-5045-15 has a stainless steel front panel and aluminum back cover. The front bezel is IP66/IP69K compliant, so when panel mounted, this [panel PC](#) is an ideal waterproof solution for food and beverage manufacturing or industrial applications exposed to liquids, sprays or humidity. The TSP-5045-15 can also be VESA mounted and it has an aluminum back cover. This PC has an Intel Skylake Core i3/i5 processor and supports Windows 10 IoT. The TSP-5045 series is available in screen sizes from 12" – 22"

USA

Teguar
2920 Whitehall Park Drive
Charlotte, NC 28273
+1 866-693-3105
sales@teguar.com

EUROPE

Teguar Europe AG
Churerstrasse 54, CH-8808
Pfäffikon, Switzerland
+41 41 561 53 11
sales.EU@teguar.com

ASIA

Teguar Taiwan Ltd.
Rm. A, 28F-12., No.99, Sec. 1, Xintai 5th Rd.,
Xizhi Dist., New Taipei City 221, Taiwan (R.O.C.)
+886 2 7751 5319
sales@teguar.com.tw

Technical Specifications

Primary Components

Processor Family	Intel Core I series 6th Generation Skylake
Processor Model	Core i3-6100U
Processor Speed	2.3 GHz
Memory Type	1x DDR4 SO-DIMM
Memory Support	4GB, 8GB, 16GB
Storage Type	1x 2.5" SATA Drive Bay for SSD/HDD (easily accessible)
Storage Support	32GB-1TB

Power

Input Voltage Range	9-36V DC
Max Power Consumption	42W
Standard Power Adapter	Optional 12V AC/DC Adapter

Operating Systems

Windows	Windows 10 IoT, Windows 10 Pro
---------	--------------------------------

Compatibility

Security Hardware	TPM 2.0
-------------------	---------

Thermal & Environmental

Operating Temperature	0°C - 50°C (32°F - 122°F)
Storage Temperature	-20°C - 60°C (-4°F - 140°F)
Cooling Solution	Passive - Fanless
Storage Humidity	10% - 90% Non-condensing

Peripherals & Wireless Connectivity

WiFi	WiFi
------	------

Certification

Certifications	CE, EN 1672-2 Complaint (PCAP Touchscreen Only), FCC Class A
----------------	--

Specifications subject to change.

Display

Screen Size	15"
Screen Resolution	1024 x 768 (XGA)
Screen Ratio	4:3
Brightness	420 nits, Optional 1000 nit High Brightness

Touch Screen

Touch Screen	Projected Capacitive, Resistive
--------------	---------------------------------

External I/O Ports

USB	2x USB 3.0
Serial / Com	2x COM
Serial Protocol Detail	1x RS-232/422/485 DB-9, default RS-232(COM1), 1x RS-232 DB-9(COM2)
Ethernet / LAN	2x RJ45 GbE LAN
Video Outputs	1x Optional HDMI
Audio Ports	1x Audio Line-Out
Power Input Port	3-Pin DC-In (Phoenix Type)

Expansion Slots

SD card	1x Full Size SD Slot
---------	----------------------

Enclosure

Material	Aluminum, Optional SUS316 Stainless Steel, SUS304 Stainless Steel
IP Rating	IP66 Front Bezel, IP69K Front Bezel
Mounting Options	Panel Mount, VESA 100 Mount

Weight / Dimensions

Weight	4.4 kg (9.7 lbs)
Dimensions	422 x 322 x 54 mm (16.6 x 12.7 x 2.1 in)

Warranty

Warranty	Up to 5 Years
----------	---------------

USA

Teguar
2920 Whitehall Park Drive
Charlotte, NC 28273
+1 866-693-3105
sales@teguar.com

EUROPE

Teguar Europe AG
Churerstrasse 54, CH-8808
Pfäffikon, Switzerland
+41 41 561 53 11
sales.EU@teguar.com

ASIA

Teguar Taiwan Ltd.
Rm. A, 28F-12., No.99, Sec. 1, Xintai 5th Rd.,
Xizhi Dist., New Taipei City 221, Taiwan (R.O.C.)
+886 2 7751 5319
sales@teguar.com.tw

I/O Diagram Images



USA

Teguar
2920 Whitehall Park Drive
Charlotte, NC 28273
+1 866-693-3105
sales@teguar.com

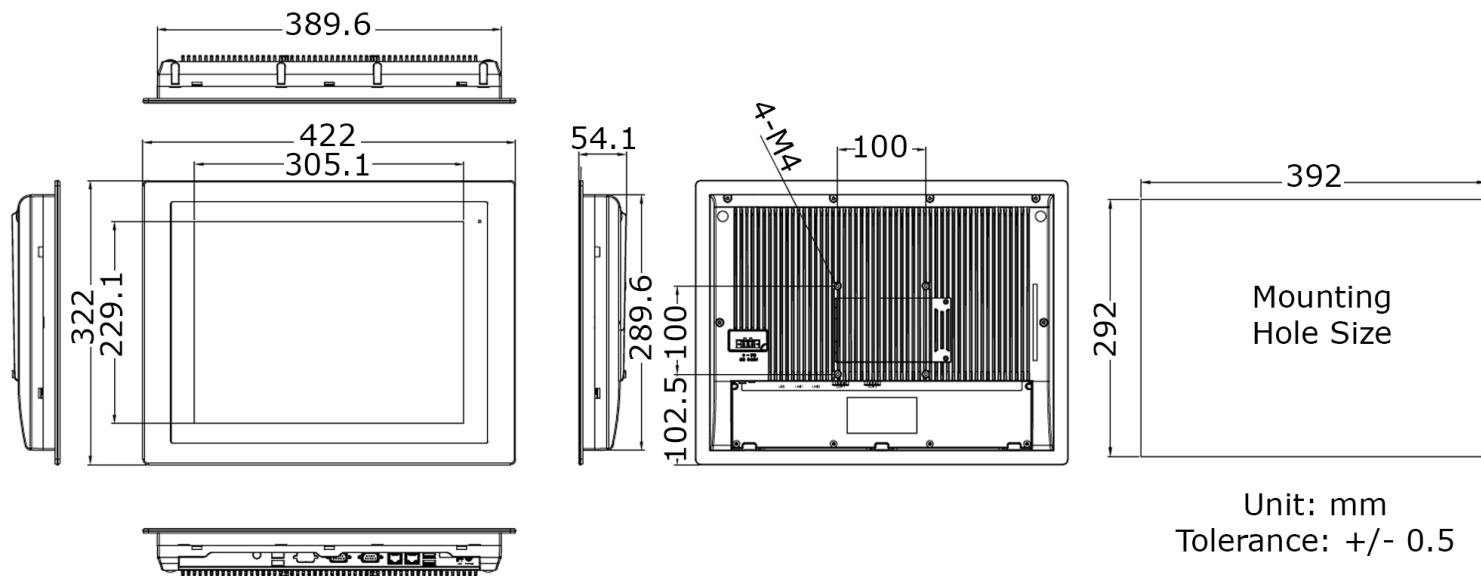
EUROPE

Teguar Europe AG
Churerstrasse 54, CH-8808
Pfäffikon, Switzerland
+41 41 561 53 11
sales.EU@teguar.com

ASIA

Teguar Taiwan Ltd.
Rm. A, 28F-12., No.99, Sec. 1, Xintai 5th Rd.,
Xizhi Dist., New Taipei City 221, Taiwan (R.O.C.)
+886 2 7751 5319
sales@teguar.com.tw

Tech Diagram Images



USA

Teguar
2920 Whitehall Park Drive
Charlotte, NC 28273
+1 866-693-3105
sales@teguar.com

EUROPE

Teguar Europe AG
Churerstrasse 54, CH-8808
Pfäffikon, Switzerland
+41 41 561 53 11
sales.EU@teguar.com

ASIA

Teguar Taiwan Ltd.
Rm. A, 28F-12., No.99, Sec. 1, Xintai 5th Rd.,
Xizhi Dist., New Taipei City 221, Taiwan (R.O.C.)
+886 2 7751 5319
sales@teguar.com.tw