

TSP-2945-22

22" Waterproof Panel PC



Key Highlights

- 21.5" Flat Front Panel Touchscreen
- Intel Celeron N2930 Processor
- IP66/IP69K Compliant Front Bezel
- 304 Stainless Steel Front Bezel (Optional 316)
- Aluminum Back Cover and Fanless Design

[VIEW ONLINE](#)

The largest in the TSP-2945 series, this 22" computer is ideal for tracking metrics or acting as an HMI on your food and beverage manufacturing line or in a production area exposed to liquids, sprays or humidity. The grade 304 stainless steel front bezel will never rust, and an optional upgrade to 316 stainless steel will also protect the unit from salt water. The front panel of this unit is IP66/IP69K compliant, so when panel mounted, this PC is an ideal waterproof solution. The TSP-2945-22 has an Intel Celeron processor and supports Windows 7, Windows 8.1, and Windows 10 IoT. This series is available in screen sizes down to 7".

USA

Teguar
2920 Whitehall Park Drive
Charlotte, NC 28273
+1 866-693-3105
sales@teguar.com

EUROPE

Teguar Europe AG
Churerstrasse 54, CH-8808
Pfäffikon, Switzerland
+41 41 561 53 11
sales.EU@teguar.com

ASIA

Teguar Taiwan Ltd.
Rm. A, 28F-12., No.99, Sec. 1, Xintai 5th Rd.,
Xizhi Dist., New Taipei City 221, Taiwan (R.O.C.)
+886 2 7751 5319
sales@teguar.com.tw

Technical Specifications

Primary Components

| | |
|------------------|--|
| Processor Family | Intel Celeron Bay Trail |
| Processor Model | N2930 |
| Processor Speed | 1.83 GHz |
| Memory Type | Onboard DDR3 |
| Memory Support | 4GB |
| Storage Type | 1x 2.5" SATA Drive Bay for SSD/HDD (easily accessible) |
| Storage Support | 32GB-1TB |

Power

| | |
|------------------------|----------------------------|
| Input Voltage Range | 9-36V DC |
| Max Power Consumption | 30W |
| Standard Power Adapter | Optional 12V AC/DC Adapter |

Operating Systems

| | |
|---------|--|
| Windows | Windows 10 IoT, Windows 10 Pro, Windows 7 Pro, Windows 8.1 Pro |
|---------|--|

Thermal & Environmental

| | |
|-----------------------|------------------------------|
| Operating Temperature | 0°C - 50°C (32°F - 122°F) |
| Storage Temperature | -30°C - 70°C (-22°F - 158°F) |
| Cooling Solution | Passive - Fanless |
| Storage Humidity | 10% - 90% Non-condensing |

Weight / Dimensions

| | |
|------------|--|
| Weight | 7.8 kg (17.2 lbs) |
| Dimensions | 574 x 379 x 60 mm (22.6 x 14.9 x 2.4 in) |

Warranty

| | |
|----------|---------------|
| Warranty | Up to 5 Years |
|----------|---------------|

Specifications subject to change.

Display

| | |
|-------------------|---|
| Screen Size | 21.5 |
| Screen Resolution | 1920 x 1080 (Full HD) |
| Screen Ratio | 16:9 |
| Brightness | 250 nits, Optional 1000 nit High Brightness |

Touch Screen

| | |
|--------------|---------------------------------|
| Touch Screen | Projected Capacitive, Resistive |
|--------------|---------------------------------|

External I/O Ports

| | |
|------------------------|--|
| USB | 2x USB 3.0 |
| Serial / Com | 2x COM |
| Serial Protocol Detail | 1x RS-232/422/485 DB-9, default RS-232(COM1), 1x RS-232 DB-9(COM2) |
| Ethernet / LAN | 2x RJ45 GbE LAN |
| Video Outputs | 1x Optional HDMI |
| Audio Ports | 1x Audio Line-Out |
| Power Input Port | 3-Pin DC-In (Phoenix Type) |

Enclosure

| | |
|-----------------------------|--|
| Material | Aluminum, Optional SUS316 Stainless Steel, SUS304 Stainless Steel |
| IP Rating | IP66 Front Bezel, IP69K Front Bezel |
| Mounting Options | Panel Mount, VESA 100 Mount |
| Approved Cleaning Solutions | Acetone, Alcohol, Club Soda, Hydrochloric Acid, Methyl Alcohol, Mineral Spirits, Nitric Acid, Sulfuric Acid (low concentration), Vinegar, Warm Water |

Certification

| | |
|----------------|-----------------|
| Certifications | CE, FCC Class A |
|----------------|-----------------|

USA

Teguar
2920 Whitehall Park Drive
Charlotte, NC 28273
+1 866-693-3105
sales@teguar.com

EUROPE

Teguar Europe AG
Churerstrasse 54, CH-8808
Pfäffikon, Switzerland
+41 41 561 53 11
sales.EU@teguar.com

ASIA

Teguar Taiwan Ltd.
Rm. A, 28F-12., No.99, Sec. 1, Xintai 5th Rd.,
Xizhi Dist., New Taipei City 221, Taiwan (R.O.C.)
+886 2 7751 5319
sales@teguar.com.tw

I/O Diagram Images



USA

Teguar
2920 Whitehall Park Drive
Charlotte, NC 28273
+1 866-693-3105
sales@teguar.com

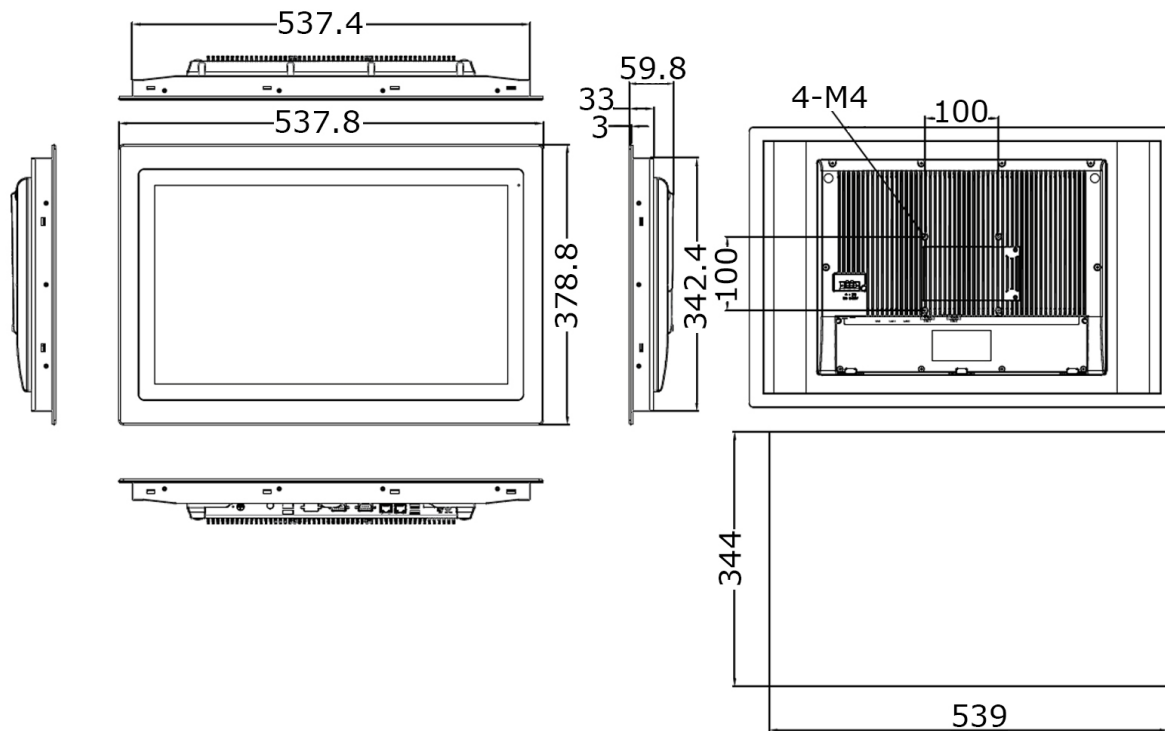
EUROPE

Teguar Europe AG
Churerstrasse 54, CH-8808
Pfäffikon, Switzerland
+41 41 561 53 11
sales.EU@teguar.com

ASIA

Teguar Taiwan Ltd.
Rm. A, 28F-12., No.99, Sec. 1, Xintai 5th Rd.,
Xizhi Dist., New Taipei City 221, Taiwan (R.O.C.)
+886 2 7751 5319
sales@teguar.com.tw

Tech Diagram Images



USA

Teguar
2920 Whitehall Park Drive
Charlotte, NC 28273
+1 866-693-3105
sales@teguar.com

EUROPE

Teguar Europe AG
Churerstrasse 54, CH-8808
Pfäffikon, Switzerland
+41 41 561 53 11
sales.EU@teguar.com

ASIA

Teguar Taiwan Ltd.
Rm. A, 28F-12., No.99, Sec. 1, Xintai 5th Rd.,
Xizhi Dist., New Taipei City 221, Taiwan (R.O.C.)
+886 2 7751 5319
sales@teguar.com.tw