

# TA-5940-18

## 18" Commercial Touch Computer



### Key Highlights

- 18.5" PCap Touchscreen
- Intel 11th Gen Tigerlake CPU
- Modular Design with Removable Box PC
- Customizable and Expandable
- Slim, Future proof design

[VIEW ONLINE](#)

The TA-5940-18 is a modular and [durable touch screen kiosk computer](#), with an 18.5" full HD touchscreen and a swappable box PC that fits onto the back of the unit. This computer is ideal for kiosk and POS systems, or it can be used for light-industrial applications. It can run Windows or Linux on its Intel 11th Gen Tigerlake CPU and optional peripherals can be added to all four sides of this computer, including a 3-Track Magnetic Stripe Reader, Fingerprint Reader, HF RFID Reader, Variety of EMV payment terminals, 2D Barcode Scanner, and Webcam. The TA-5940-18 can be mounted on a POS stand, printer stand, floor stand, and virtually any type of stand or arm via its VESA mounting hole pattern.

#### USA

Teguar  
2920 Whitehall Park Drive  
Charlotte, NC 28273  
+1 866-693-3105  
sales@teguar.com

#### EUROPE

Teguar Europe AG  
Churerstrasse 54, CH-8808  
Pfäffikon, Switzerland  
+41 41 561 53 11  
sales.EU@teguar.com

#### ASIA

Teguar Taiwan Ltd.  
Rm. A, 28F-12., No.99, Sec. 1, Xintai 5th Rd.,  
Xizhi Dist., New Taipei City 221, Taiwan (R.O.C.)  
+886 2 7751 5319  
sales@teguar.com.tw

# Technical Specifications

## Primary Components

Processor Family	Intel Core I series 11th Generation Tiger Lake
Processor Model	Core i3-1115G4E
Memory Type	1x DDR4 SO-DIMM
Memory Support	4GB, 8GB, 16GB
Storage Type	1x M.2 slot for SSD
Storage Support	M.2: 128GB-1TB

## External I/O Ports

USB	1x USB 2.0 type C (data only), 1x USB 3.0 Type-C (Power/Video/Data), 2x USB 2.0, 2x USB 3.0
Serial / Com	2x COM
Serial Protocol Detail	x2 RS-232 DB-9
Ethernet / LAN	1x RJ45 GbE LAN
Other Ports	1x RJII; Custom connector for External Monitor
Power Input Port	4-Pole DIN (latching)

## Expansion Slots

Internal M.2	1x M.2 2230 Key E (for WiFi expansion option)
Expansion Module support	4 USB based expansion areas on Bezel support

## Thermal & Environmental

Operating Temperature	0°C - 35°C (32°F - 95°F)
Storage Temperature	-20°C - 60°C (-4°F - 140°F)
Cooling Solution	Passive - Fanless
Humidity Range	20% - 85% Non-condensing

## Peripherals & Wireless Connectivity

WiFi	Optional 802.11 a/b/g/n/ac
Bluetooth	Optional Bluetooth 5.1
Barcode Scanner	Optional 1D/2D Barcode Scanner
RFID	Optional RFID
Peripheral Other	3-Track MSR; Fingerprint Reader; Contact Teguar is you have a customized external Module request

## Certification

Certifications	CE, FCC Class A, LVD
----------------	----------------------

Specifications subject to change.

## Display

Screen Size	18.5"
Screen Resolution	1366 x 768, Optional 1920 x 1080
Screen Ratio	16:9
Brightness	250 nits

## Touch Screen

Touch Screen	Projected Capacitive (Multi-touch)
--------------	------------------------------------

## Power

Input Voltage Range	19V DC
Standard Power Adapter	120W AC/DC Adapter

## Operating Systems

Windows	Windows 10 IoT, Windows 10 Pro, Windows 11 IoT, Windows 11 Pro
Linux	Linux (Contact your sales rep for more information)

## Compatibility

Security Hardware	TPM 2.0
-------------------	---------

## Multimedia

Speakers	1x 3W Speaker
Camera	Optional Webcam

## Enclosure

Material	Plastic
IP Rating	IP54 Front Bezel
Color	Black
Led Indicator Light	Power
Control Buttons	Power Button
Mounting Options	VESA 100 Mount, VESA 75 Mount

## Weight / Dimensions

Weight	4.4 kg (9.7 lbs)
Dimensions	451 x 273 x 51 mm (17.8 x 10.7 x 2.0 in)

## Warranty

Warranty	Up to 5 Years
----------	---------------

### USA

Teguar  
2920 Whitehall Park Drive  
Charlotte, NC 28273  
+1 866-693-3105  
sales@teguar.com

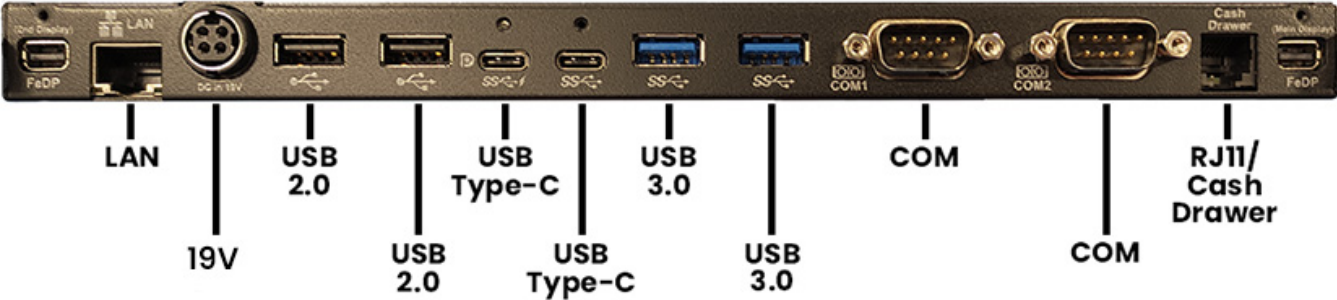
### EUROPE

Teguar Europe AG  
Churerstrasse 54, CH-8808  
Pfäffikon, Switzerland  
+41 41 561 53 11  
sales.EU@teguar.com

### ASIA

Teguar Taiwan Ltd.  
Rm. A, 28F-12., No.99, Sec. 1, Xintai 5th Rd.,  
Xizhi Dist., New Taipei City 221, Taiwan (R.O.C.)  
+886 2 7751 5319  
sales@teguar.com.tw

# I/O Diagram Images



## USA

Teguar  
2920 Whitehall Park Drive  
Charlotte, NC 28273  
+1 866-693-3105  
sales@teguar.com

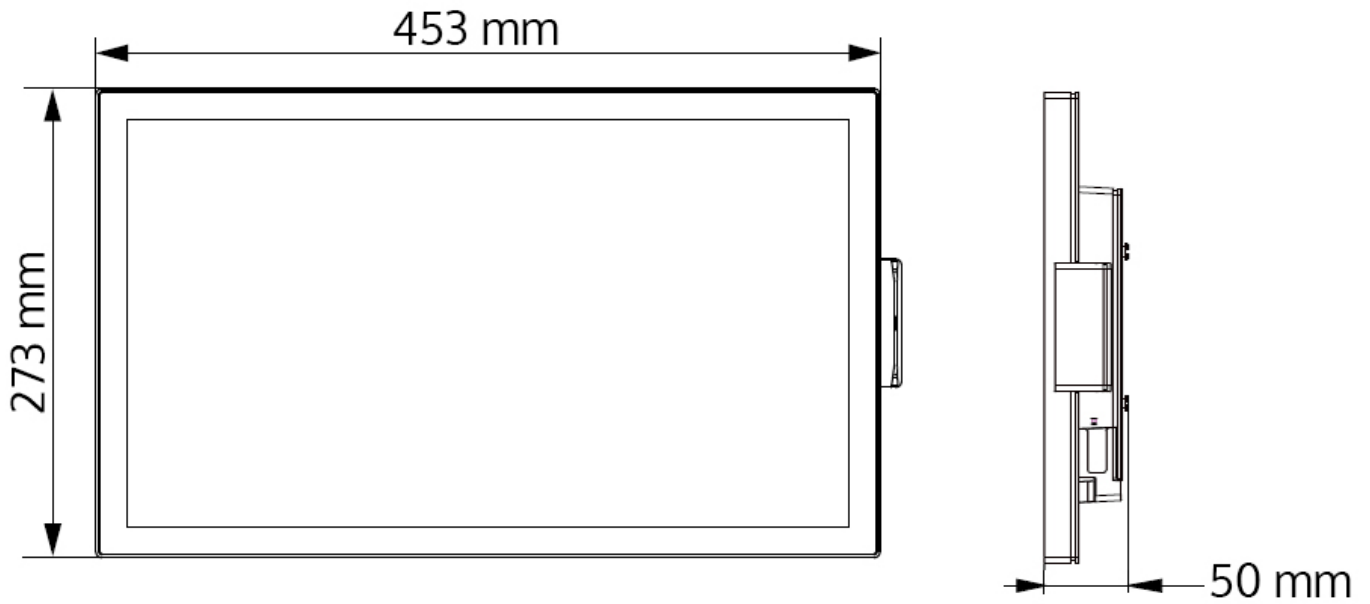
## EUROPE

Teguar Europe AG  
Churerstrasse 54, CH-8808  
Pfäffikon, Switzerland  
+41 41 561 53 11  
sales.EU@teguar.com

## ASIA

Teguar Taiwan Ltd.  
Rm. A, 28F-12., No.99, Sec. 1, Xintai 5th Rd.,  
Xizhi Dist., New Taipei City 221, Taiwan (R.O.C.)  
+886 2 7751 5319  
sales@teguar.com.tw

## Tech Diagram Images



### USA

Teguar  
2920 Whitehall Park Drive  
Charlotte, NC 28273  
+1 866-693-3105  
sales@teguar.com

### EUROPE

Teguar Europe AG  
Churerstrasse 54, CH-8808  
Pfäffikon, Switzerland  
+41 41 561 53 11  
sales.EU@teguar.com

### ASIA

Teguar Taiwan Ltd.  
Rm. A, 28F-12., No.99, Sec. 1, Xintai 5th Rd.,  
Xizhi Dist., New Taipei City 221, Taiwan (R.O.C.)  
+886 2 7751 5319  
sales@teguar.com.tw