

TA-5940-16

16" All-in-One Touch Kiosk



Key Highlights

- 15.6" HD Display with PCAP Touchscreen
- Intel 11th Gen Tigerlake CPU
- Modular and Expandable Design
- Slim, Durable Housing
- Various Mounting Options

[VIEW ONLINE](#)

The TA-5940-16 runs on an Intel 11th Gen Tigerlake CPU and can run Windows or Linux Operating Systems. This computer is ideal for customer facing applications, such as POS systems and self-serve kiosks, and light-industrial applications, such as on your shop floor, time stamp, or check-in. It has a unique modular design with a 15.6" full HD touchscreen and a removable box PC that fits onto the back of the unit for easy service or upgrades. This PC has VESA mounting and can be mounted to a wide variety of stands, arms and carts, and can be ordered with a POS stand, printer stand, or floor stand. Up to four optional peripherals can be added to all four sides of this computer at one time, including a 3-Track MSR Fingerprint Reader, RFID Reader, 2D Barcode Scanner, 5MP Camera with microphone, and Verifone® VX820 or Ingenico payment terminals. [>> Read an independent review of the TA-5940-16 on RuggedPCReview.com](#)

USA

Teguar
2920 Whitehall Park Drive
Charlotte, NC 28273
+1 866-693-3105
sales@teguar.com

EUROPE

Teguar Europe AG
Churerstrasse 54, CH-8808
Pfäffikon, Switzerland
+41 41 561 53 11
sales.EU@teguar.com

ASIA

Teguar Taiwan Ltd.
Rm. A, 28F-12., No.99, Sec. 1, Xintai 5th Rd.,
Xizhi Dist., New Taipei City 221, Taiwan (R.O.C.)
+886 2 7751 5319
sales@teguar.com.tw

Technical Specifications

Primary Components

Processor Family	Intel Core I series 11th Generation Tiger Lake
Processor Model	Core i3-1115G4E
Memory Type	1x DDR4 SO-DIMM
Memory Support	4GB, 8GB, 16GB
Storage Type	1x M.2 slot for SSD
Storage Support	M.2: 128GB-1TB

External I/O Ports

USB	1x USB 2.0 type C (data only), 1x USB 3.0 Type-C (Power/Video/Data), 2x USB 2.0, 2x USB 3.0
Serial / Com	2x COM
Serial Protocol Detail	x2 RS-232 DB-9
Ethernet / LAN	1x RJ45 GbE LAN
Other Ports	1x RJ11; Custom connector for External Monitor
Power Input Port	4-Pole DIN (latching)

Expansion Slots

Internal M.2	1x M.2 2230 Key E (for WiFi expansion option)
Expansion Module support	4 USB based expansion areas on Bezel support

Thermal & Environmental

Operating Temperature	0°C - 35°C (32°F - 95°F)
Storage Temperature	-20°C - 60°C (-4°F - 140°F)
Cooling Solution	Passive - Fanless
Humidity Range	20% - 85% Non-condensing

Peripherals & Wireless Connectivity

WiFi	Optional 802.11 a/b/g/n/ac
Bluetooth	Optional Bluetooth 5.1
Barcode Scanner	Optional 1D/2D Barcode Scanner
RFID	Optional RFID
Peripheral Other	3-Track MSR; Fingerprint Reader; Supported Verifone® VX820, P400, Ingenico iPP 325; POS Stand; Printer Stand supports Epson® TM-m30 / TM-T88IV, Star mc-Print3/ TSP-100/TSP-654

Certification

Certifications	CE, FCC Class A, LVD
----------------	----------------------

Specifications subject to change.

Display

Screen Size	15.6"
Screen Resolution	1920 x 1080 (Full HD)
Screen Ratio	16:9
Brightness	300 nits

Touch Screen

Touch Screen	Projected Capacitive (Multi-touch)
--------------	------------------------------------

Power

Input Voltage Range	19V DC
Standard Power Adapter	120W AC/DC Adapter

Operating Systems

Windows	Windows 10 IoT, Windows 10 Pro, Windows 11 IoT, Windows 11 Pro
Linux	Linux (Contact your sales rep for more information)

Compatibility

Security Hardware	TPM 2.0
-------------------	---------

Multimedia

Speakers	1x 3W Speaker
Camera	Optional Webcam

Enclosure

Material	Plastic
IP Rating	IP54 Front Bezel
Color	Black
Led Indicator Light	Power
Control Buttons	Power Button
Mounting Options	VESA 100 Mount, VESA 75 Mount

Weight / Dimensions

Weight	3.0 kg (6.6 lbs)
Dimensions	370 x 235 x 42 mm (14.6 x 9.3 x 1.7 in)

Warranty

Warranty	Up to 5 Years
----------	---------------

USA

Teguar
2920 Whitehall Park Drive
Charlotte, NC 28273
+1 866-693-3105
sales@teguar.com

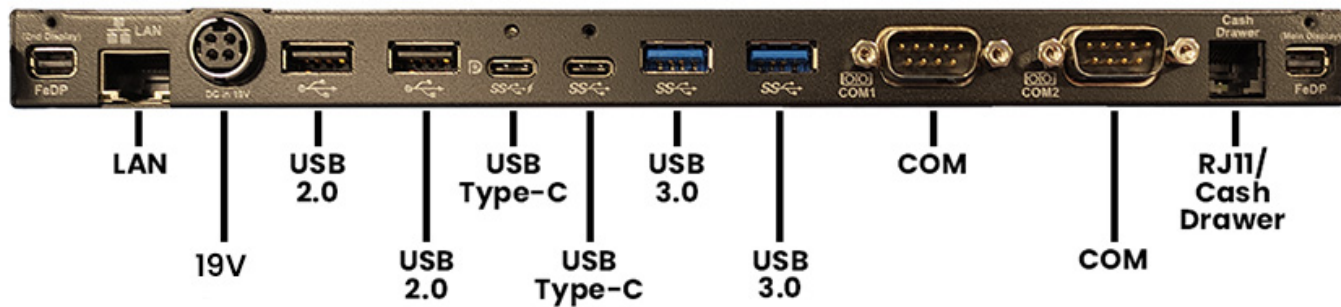
EUROPE

Teguar Europe AG
Churerstrasse 54, CH-8808
Pfäffikon, Switzerland
+41 41 561 53 11
sales.EU@teguar.com

ASIA

Teguar Taiwan Ltd.
Rm. A, 28F-12., No.99, Sec. 1, Xintai 5th Rd.,
Xizhi Dist., New Taipei City 221, Taiwan (R.O.C.)
+886 2 7751 5319
sales@teguar.com.tw

I/O Diagram Images



USA

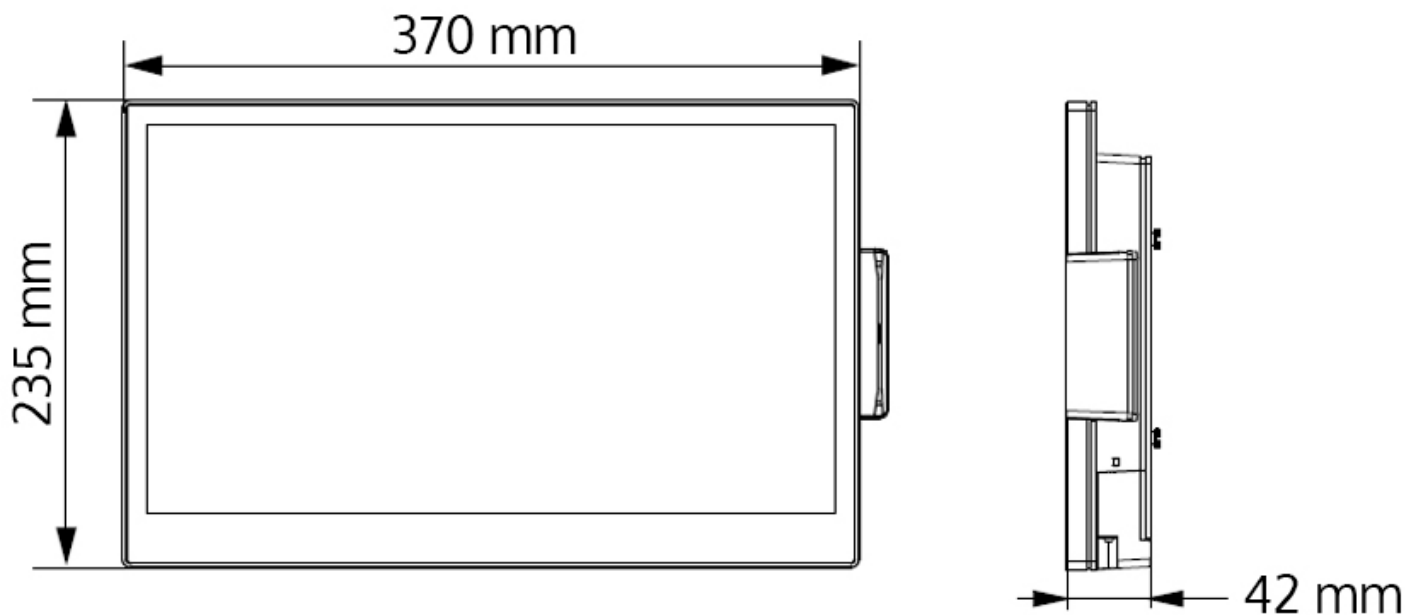
Teguar
2920 Whitehall Park Drive
Charlotte, NC 28273
+1 866-693-3105
sales@teguar.com

EUROPE

Teguar Europe AG
Churerstrasse 54, CH-8808
Pfäffikon, Switzerland
+41 41 561 53 11
sales.EU@teguar.com

ASIA

Teguar Taiwan Ltd.
Rm. A, 28F-12., No.99, Sec. 1, Xintai 5th Rd.,
Xizhi Dist., New Taipei City 221, Taiwan (R.O.C.)
+886 2 7751 5319
sales@teguar.com.tw



USA

Teguar
2920 Whitehall Park Drive
Charlotte, NC 28273
+1 866-693-3105
sales@teguar.com

EUROPE

Teguar Europe AG
Churerstrasse 54, CH-8808
Pfäffikon, Switzerland
+41 41 561 53 11
sales.EU@teguar.com

ASIA

Teguar Taiwan Ltd.
Rm. A, 28F-12., No.99, Sec. 1, Xintai 5th Rd.,
Xizhi Dist., New Taipei City 221, Taiwan (R.O.C.)
+886 2 7751 5319
sales@teguar.com.tw