

# TP-3445-10

## 10.1" Fanless Panel PC



### Key Highlights

- 10.1" LCD Touchscreen
- Intel Apollo Lake N4200 Quad Core CPU
- Easily Accessable Storage Bay
- Die-cast Aluminum Housing
- Optional Power over Ethernet

[VIEW ONLINE](#)

The 10" Fanless [Panel PC](#) is an industrial grade panel mount computer built with die cast aluminum. It runs on an Apollo Lake CPU and has a wide range DC power input of 9~36V. This computer has several options that you can choose from to make it perfect for your manufacturing plant or assembly line. Choose from several different expansion boards to add Mini-PCIe, SIM, USB or COM. This computer also supports Power over Ethernet, an optional internal backup battery, Pcap or resistive touch, and a high bright LCD. The TP-3445-10 is built to last and we're committed to supporting and selling this until at least 2030, so you don't need to worry about hardware changes interrupting your workflow.

#### USA

Teguar  
2920 Whitehall Park Drive  
Charlotte, NC 28273  
+1 866-693-3105  
sales@teguar.com

#### EUROPE

Teguar Europe AG  
Churerstrasse 54, CH-8808  
Pfäffikon, Switzerland  
+41 41 561 53 11  
sales.EU@teguar.com

#### ASIA

Teguar Taiwan Ltd.  
Rm. A, 28F-12., No.99, Sec. 1, Xintai 5th Rd.,  
Xizhi Dist., New Taipei City 221, Taiwan (R.O.C.)  
+886 2 7751 5319  
sales@teguar.com.tw

# Technical Specifications

## Primary Components

**Processor Family** Intel Pentium Apollo Lake

**Processor Model** N4200

**Processor Speed** 1.10 GHz

**Memory Type** Onboard DDR3

**Memory Support** 4GB, 8GB

**Storage Type** 1x 2.5" SATA Drive Bay for SSD/HDD

**Storage Support** 32GB-1TB

## Power

**Input Voltage Range** 9-36V DC

**Max Power Consumption** 30W

**Standard Power Adapter** Optional 12V AC/DC Adapter

## Battery

**Battery Type** Optional Internal Battery

## Operating Systems

**Windows** Windows 10 IoT, Windows 10 Pro

**Linux** Linux (Contact your sales rep for more information)

## Enclosure

**Material** Aluminum

**IP Rating** IP66 Front Bezel

**Mounting Options** Panel Mount, VESA 100 Mount

## Peripherals & Wireless Connectivity

**WiFi** Optional WiFi

**Bluetooth** Optional Bluetooth 4.0

**Mobile Network 4G LTE** Optional 4G

## Warranty

**Warranty** Up to 5 Years

*Specifications subject to change.*

## Display

**Screen Size** 10.1"

**Screen Resolution** 1280 x 800 (WXGA)

**Screen Ratio** 16:10

**Brightness** 350 nits, Optional 1000 nit High Brightness

## Touch Screen

**Touch Screen** Projected Capacitive, Resistive

## External I/O Ports

**USB** 2x USB 3.0

**Serial / Com** 2x COM

**Serial Protocol Detail** 1x RS-232/422/485 DB-9, default RS-232(COM1), 1x RS-232 DB-9(COM2)

**Ethernet / LAN** 2x RJ45 GbE LAN

**Video Outputs** 1x HDMI

**Other Ports** 1x 2-Pin DC Power Switch Connector

**Audio Ports** 1x Audio Line-Out

**Power Input Port** 3-Pin DC-In (Phoenix Type), Optional POE+, 30W with 2x USB 2.0

## Thermal & Environmental

**Operating Temperature** -20°C - 60°C (-4°F - 140°F)

**Storage Temperature** -30°C - 70°C (-22°F - 158°F)

**Cooling Solution** Passive - Fanless with Heatsink

**Humidity Range** 10% - 90% Non-condensing

## Weight / Dimensions

**Weight** 1.9 kg (4.2 lbs)

**Dimensions** 285 x 49 x 189 mm (11.2 x 1.9 x 7.4 in)

## Certification

**Certifications** CE, FCC Class A, UL 60950, UL 62368

## USA

Teguar  
2920 Whitehall Park Drive  
Charlotte, NC 28273  
+1 866-693-3105  
sales@teguar.com

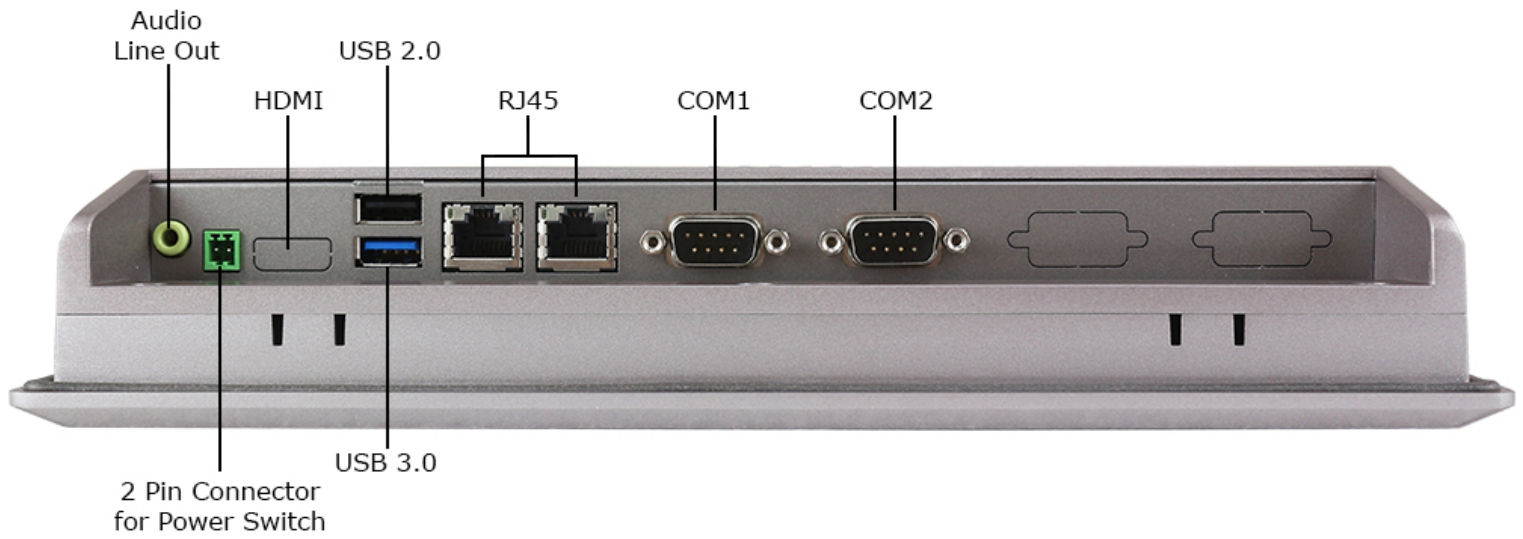
## EUROPE

Teguar Europe AG  
Churerstrasse 54, CH-8808  
Pfäffikon, Switzerland  
+41 41 561 53 11  
sales.EU@teguar.com

## ASIA

Teguar Taiwan Ltd.  
Rm. A, 28F-12., No.99, Sec. 1, Xintai 5th Rd.,  
Xizhi Dist., New Taipei City 221, Taiwan (R.O.C.)  
+886 2 7751 5319  
sales@teguar.com.tw

## I/O Diagram Images



### USA

Teguar  
2920 Whitehall Park Drive  
Charlotte, NC 28273  
+1 866-693-3105  
sales@teguar.com

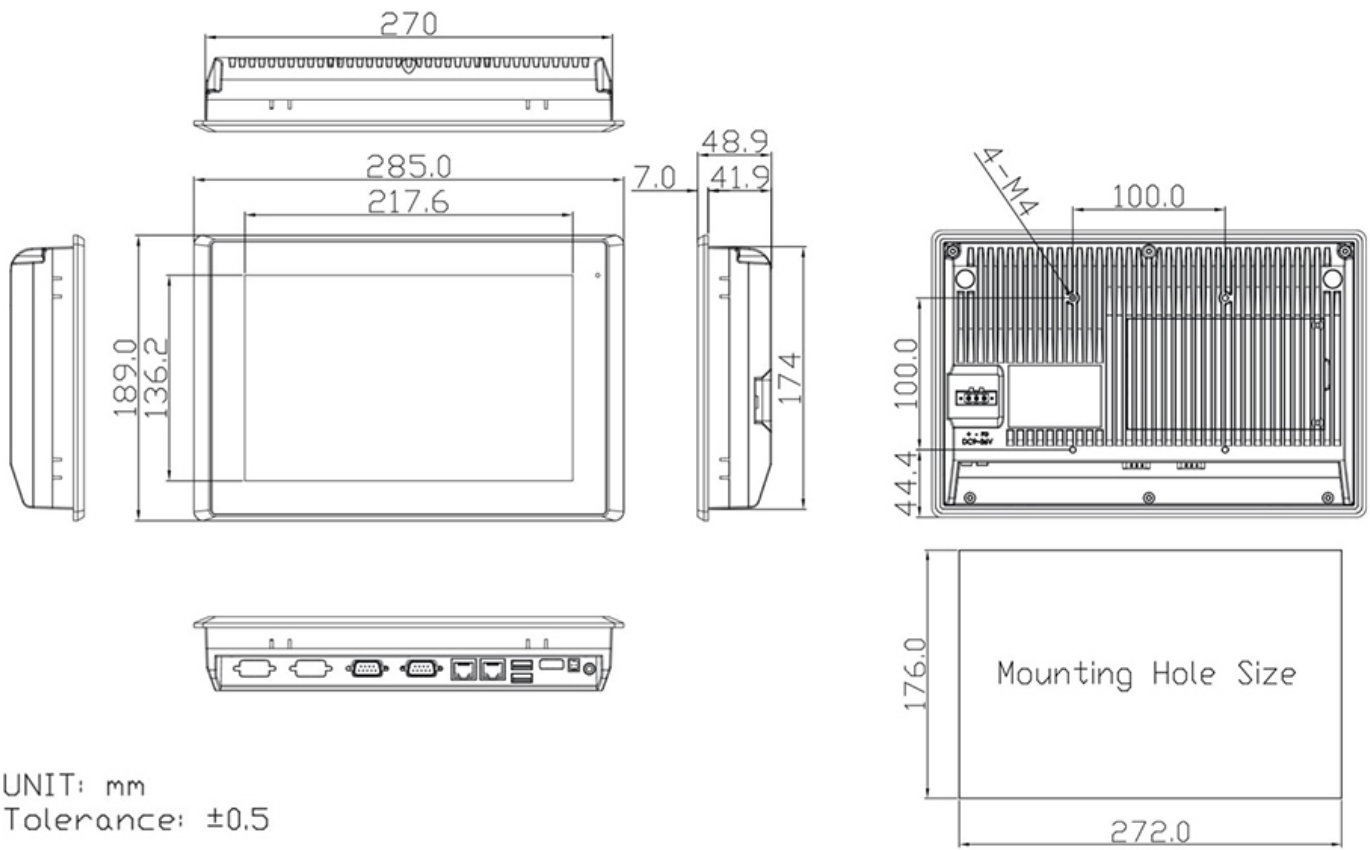
### EUROPE

Teguar Europe AG  
Churerstrasse 54, CH-8808  
Pfäffikon, Switzerland  
+41 41 561 53 11  
sales.EU@teguar.com

### ASIA

Teguar Taiwan Ltd.  
Rm. A, 28F-12., No.99, Sec. 1, Xintai 5th Rd.,  
Xizhi Dist., New Taipei City 221, Taiwan (R.O.C.)  
+886 2 7751 5319  
sales@teguar.com.tw

# Tech Diagram Images



## USA

Teguar  
2920 Whitehall Park Drive  
Charlotte, NC 28273  
+1 866-693-3105  
sales@teguar.com

## EUROPE

Teguar Europe AG  
Churerstrasse 54, CH-8808  
Pfäffikon, Switzerland  
+41 41 561 53 11  
sales.EU@teguar.com

## ASIA

Teguar Taiwan Ltd.  
Rm. A, 28F-12., No.99, Sec. 1, Xintai 5th Rd.,  
Xizhi Dist., New Taipei City 221, Taiwan (R.O.C.)  
+886 2 7751 5319  
sales@teguar.com.tw