

TP-3445-12

12.1" Industrial Panel PC



Key Highlights

- 12.1" Touchscreen & IP66 Front Bezel
- Intel Apollo Lake N4200 Quad Core CPU
- Rugged Die-cast Aluminum Housing
- Optional Power over Ethernet
- Optional High Bright & Optical Bonding

[VIEW ONLINE](#)

The TP-3445-12 Industrial [Panel PC](#) is built with die-cast aluminum and has an IP66 rated front bezel. It runs on the Intel Apollo Lake Quad Core CPU has various configuration options, so you can create the perfect solution for your manufacturing plant or assembly line. Choose from several different expansion boards to add Mini-PCIe, SIM, USB or COM. This computer also supports Power over Ethernet, an optional internal backup battery, Pcap or resistive touch, and a high bright LCD. The TP-3445-12 is built to last, even in harsh manufacturing environments, and we're committed to supporting and selling this until at least 2030.

USA

Teguar
2920 Whitehall Park Drive
Charlotte, NC 28273
+1 866-693-3105
sales@teguar.com

EUROPE

Teguar Europe AG
Churerstrasse 54, CH-8808
Pfäffikon, Switzerland
+41 41 561 53 11
sales.EU@teguar.com

ASIA

Teguar Taiwan Ltd.
Rm. A, 28F-12., No.99, Sec. 1, Xintai 5th Rd.,
Xizhi Dist., New Taipei City 221, Taiwan (R.O.C.)
+886 2 7751 5319
sales@teguar.com.tw

Technical Specifications

Primary Components

Processor Family Intel Pentium Apollo Lake

Processor Model N4200

Processor Speed 1.10 GHz

Memory Type Onboard DDR3

Memory Support 4GB, 8GB

Storage Type 1x 2.5" SATA Drive Bay for SSD/HDD

Storage Support 32GB-1TB

Power

Input Voltage Range 9-36V DC

Standard Power Adapter Optional 12V AC/DC Adapter

Battery

Battery Type Optional Internal Battery

Operating Systems

Windows Windows 10 IoT, Windows 10 Pro

Linux Linux (Contact your sales rep for more information)

Expansion Slots

SD card 1x Micro SD Slot

Enclosure

Material Aluminum

IP Rating IP66 Front Bezel

Mounting Options Panel Mount, VESA 100 Mount

Weight / Dimensions

Weight 2.8 kg (6.2 lbs)

Dimensions 319 x 245 x 52 mm (12.6 x 9.6 x 2.0 in)

Certification

Certifications CE, FCC Class A, UL 60950, UL 62368

Specifications subject to change.

Display

Screen Size 12.1"

Screen Resolution 1024 x 768 (XGA)

Screen Ratio 4:3

Brightness 450 nits, 500 nits, Optional 1000 nit High Brightness

Touch Screen

Touch Screen Projected Capacitive, Resistive

External I/O Ports

USB 2x USB 3.0

Serial / Com 2x COM

Serial Protocol Detail 1x RS-232/422/485 DB-9, default RS-232(COM1), 1x RS-232 DB-9(COM2)

Ethernet / LAN 2x RJ45 GbE LAN

Video Outputs 1x HDMI

Other Ports 1x 2-Pin DC Power Switch Connector

Audio Ports 1x Audio Line-Out

Power Input Port 3-Pin DC-In (Phoenix Type), Optional POE+, 30W with 2x USB 2.0

Thermal & Environmental

Operating Temperature -20°C - 60°C (-4°F - 140°F)

Storage Temperature -30°C - 70°C (-22°F - 158°F)

Cooling Solution Passive - Fanless with Heatsink

Humidity Range 10% - 90% Non-condensing

Peripherals & Wireless Connectivity

WiFi Optional WiFi

Bluetooth Optional Bluetooth 4.0

Mobile Network 4G LTE Optional 4G

Warranty

Warranty Up to 5 Years

USA

Teguar
2920 Whitehall Park Drive
Charlotte, NC 28273
+1 866-693-3105
sales@teguar.com

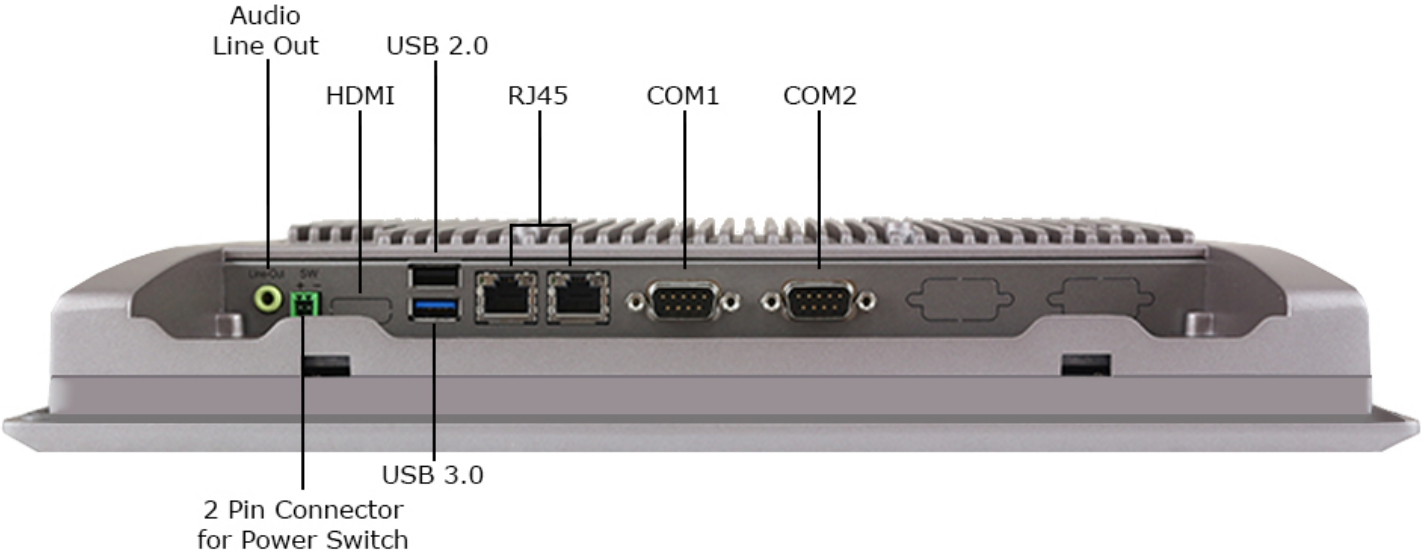
EUROPE

Teguar Europe AG
Churerstrasse 54, CH-8808
Pfäffikon, Switzerland
+41 41 561 53 11
sales.EU@teguar.com

ASIA

Teguar Taiwan Ltd.
Rm. A, 28F-12., No.99, Sec. 1, Xintai 5th Rd.,
Xizhi Dist., New Taipei City 221, Taiwan (R.O.C.)
+886 2 7751 5319
sales@teguar.com.tw

I/O Diagram Images



USA

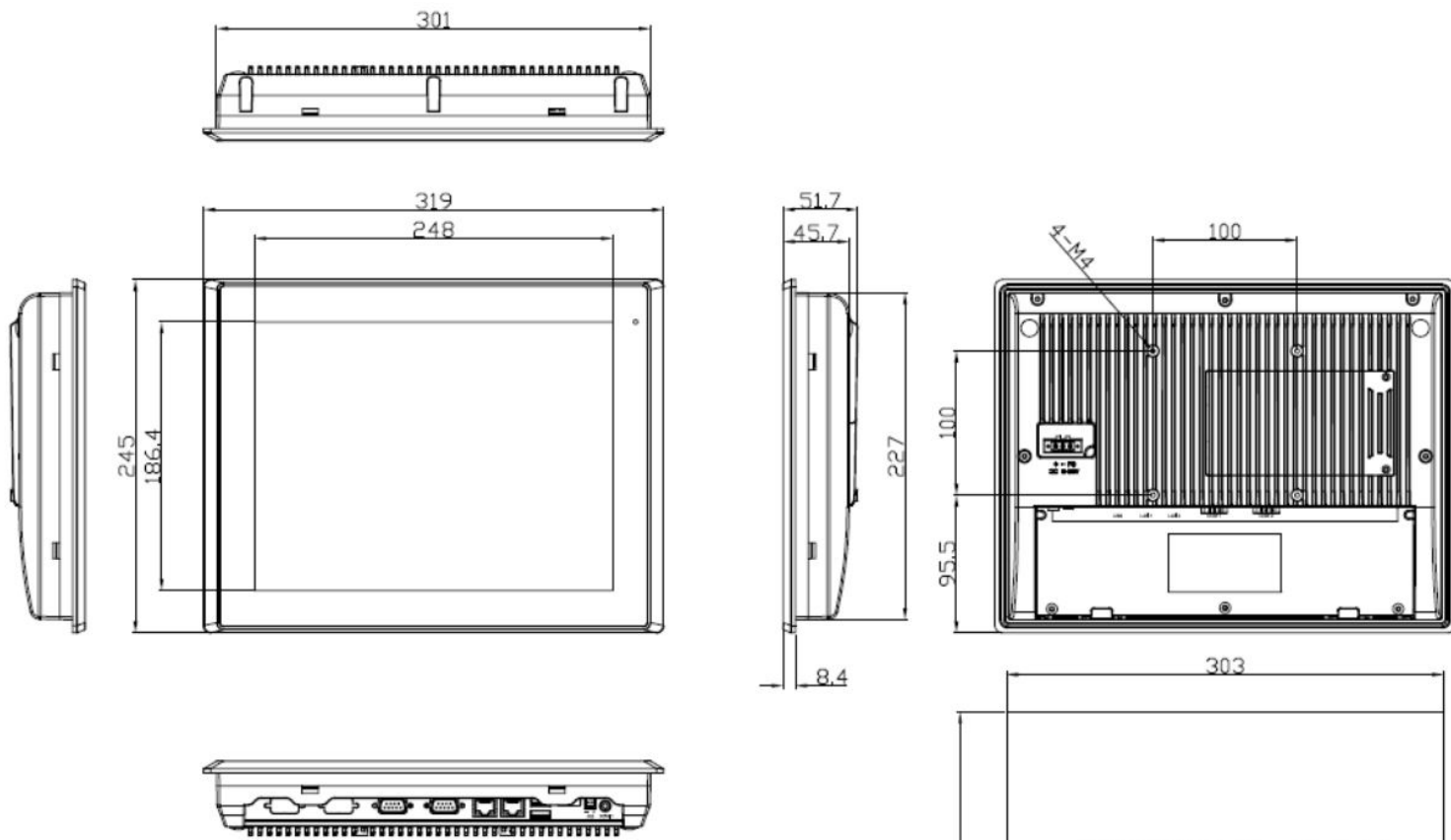
Teguar
2920 Whitehall Park Drive
Charlotte, NC 28273
+1 866-693-3105
sales@teguar.com

EUROPE

Teguar Europe AG
Churerstrasse 54, CH-8808
Pfäffikon, Switzerland
+41 41 561 53 11
sales.EU@teguar.com

ASIA

Teguar Taiwan Ltd.
Rm. A, 28F-12., No.99, Sec. 1, Xintai 5th Rd.,
Xizhi Dist., New Taipei City 221, Taiwan (R.O.C.)
+886 2 7751 5319
sales@teguar.com.tw



UNIT: mm
Tolerance: ± 0.5

USA

Teguar
2920 Whitehall Park Drive
Charlotte, NC 28273
+1 866-693-3105
sales@teguar.com

EUROPE

Teguar Europe AG
Churerstrasse 54, CH-8808
Pfäffikon, Switzerland
+41 41 561 53 11
sales.EU@teguar.com

ASIA

Teguar Taiwan Ltd.
Rm. A, 28F-12., No.99, Sec. 1, Xintai 5th Rd.,
Xizhi Dist., New Taipei City 221, Taiwan (R.O.C.)
+886 2 7751 5319
sales@teguar.com.tw