

TS-5610-15

15" Stainless Steel Core i Computer



Key Highlights

- 15" 4:3 Ratio Touchscreen
- 8th Gen Intel Core Whiskey Lake i3/i5/i7 CPU
- Full IP66 and IP69K with Optional IP67
- Flat Wireless WiFi/BT Antenna
- Optional Speakers and Barcode Reader (MOQ)
- Supports Intel Vpro Technology

[VIEW ONLINE](#)

The TS-5610 Stainless Steel Core i Series is the latest in a long line of strong and dependable waterproof computers. While the TS-5610-15 may be the smallest offering in the Stainless Steel Core i series, it's no less powerful than the other three sizes available. In fact, the TS-5610-15 may in fact be the best value of the four, since it manages to pack so much computational power into the smallest size. The 4:3 ratio display comes equipped with either P-cap or resistive touchscreen capabilities and, as the name suggests, the 4.1 GHz processor is a Core i Series, with options for i3, i5, or i7 available. With the inclusion of an 8th Gen Intel CPU, the TS-5610-15 is Windows 11 compatible.

USA

Teguar
2920 Whitehall Park Drive
Charlotte, NC 28273
+1 866-693-3105
sales@teguar.com

EUROPE

Teguar Europe AG
Churerstrasse 54, CH-8808
Pfäffikon, Switzerland
+41 41 561 53 11
sales.EU@teguar.com

ASIA

Teguar Taiwan Ltd.
Rm. A, 28F-12., No.99, Sec. 1, Xintai 5th Rd.,
Xizhi Dist., New Taipei City 221, Taiwan (R.O.C.)
+886 2 7751 5319
sales@teguar.com.tw

Technical Specifications

Primary Components

Processor Family	Intel Core I series 8th Generation Whiskey Lake-U
Processor Model	Core i5-8365UE
Processor Speed	Up to 4.1 GHz
Memory Type	2x DDR4 SO-DIMM
Memory Support	4GB, 8GB, 16GB, 32GB
Storage Type	1x 2.5" SATA Drive Bay for SSD/HDD
Storage Support	32GB-1TB

External I/O Ports

USB	2x M12 8Pin for USB 1/2 and USB 3/4
Serial / Com	2x M12 8-pin for COM
Serial Protocol Detail	RS-232/422/485
Ethernet / LAN	1x M12 8pin RJ45 Gbe LAN
Power Input Port	M12 type 5-PIN DC-in

Compatibility

Security Hardware	Optional TPM 2.0, Supports Intel Vpro
-------------------	---------------------------------------

Thermal & Environmental

Storage Temperature	-20°C - 60°C (-4°F - 140°F)
Cooling Solution	Passive - Fanless
Humidity Range	10% - 90% Non-condensing
Storage Humidity	10% - 90% Non-condensing

Peripherals & Wireless Connectivity

WiFi	Optional Wi-Fi 802.11 a/b/g/n/ac
Bluetooth	Optional Bluetooth 5.1
Barcode Scanner	Optional 1D/2D Barcode Scanner

Certification

Certifications	CE, FCC, VCCI Class B
----------------	-----------------------

Display

Screen Size	15"
Screen Resolution	1024 x 768 (XGA)
Screen Ratio	4:3
Brightness	450 nits

Touch Screen

Touch Screen	5 Wire Resistive, Projected Capacitive
Hardness	Resistive: 3H, P-cap: 7H

Power

Input Voltage Range	19-28V DC
Max Power Consumption	83.9W
Standard Power Adapter	AC 100 - 277V / 47 - 63 Hz / DC output 24V, 5A, 120W, IP68

Operating Systems

Windows	Windows 10 IoT, Windows 10 Pro, Windows 11 IoT, Windows 11 Pro
---------	--

Expansion Slots

Internal M.2	1x M.2 for NVME SSD Support
--------------	-----------------------------

Enclosure

Material	SUS304 Stainless Steel
IP Rating	IP66, IP69K, NEMA 4X
Color	Stainless Steel
Control Buttons	Power Button
Mounting Options	VESA 100 Mount, Wall Mount

Weight / Dimensions

Weight	8.4 KG kg (18.5 lbs)
Dimensions	395 x 309.5 x 58 mm (15.6 x 12.2 x 2.3 in)

Warranty

Warranty	Up to 5 Years
----------	---------------

Specifications subject to change.

USA

Teguar
2920 Whitehall Park Drive
Charlotte, NC 28273
+1 866-693-3105
sales@teguar.com

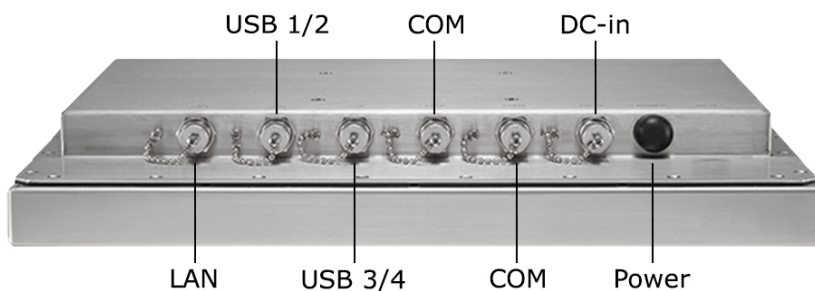
EUROPE

Teguar Europe AG
Churerstrasse 54, CH-8808
Pfäffikon, Switzerland
+41 41 561 53 11
sales.EU@teguar.com

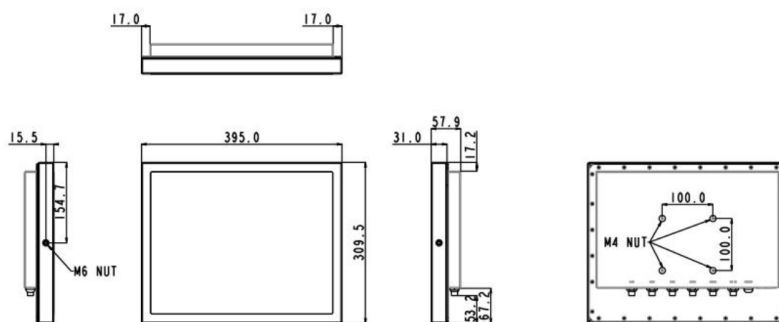
ASIA

Teguar Taiwan Ltd.
Rm. A, 28F-12., No.99, Sec. 1, Xintai 5th Rd.,
Xizhi Dist., New Taipei City 221, Taiwan (R.O.C.)
+886 2 7751 5319
sales@teguar.com.tw

I/O Diagram Images



Tech Diagram Images



USA

Teguar
2920 Whitehall Park Drive
Charlotte, NC 28273
+1 866-693-3105
sales@teguar.com

EUROPE

Teguar Europe AG
Churerstrasse 54, CH-8808
Pfäffikon, Switzerland
+41 41 561 53 11
sales.EU@teguar.com

ASIA

Teguar Taiwan Ltd.
Rm. A, 28F-12., No.99, Sec. 1, Xintai 5th Rd.,
Xizhi Dist., New Taipei City 221, Taiwan (R.O.C.)
+886 2 7751 5319
sales@teguar.com.tw