

TS-5645-15

15" Stainless Steel HMI



Key Highlights

- 15" LCD TFT touchscreen display
- Fanless cooling system
- Intel 8th Generation Core i3 CPU
- IP66 waterproof rated
- Multiple I/Os including 2x USB 2.0, 1x LAN, and 1x COM

[VIEW ONLINE](#)

The TS-5645-15 Stainless Steel HMI is encased in a fully sealed, stainless-steel housing, making it ideal for wet environments. This computer has a fanless cooling system and IP66 rated housing. M12 metal I/O connectors also ensure no dust, debris, water or harsh chemicals get into the unit. Optional daughter board expansion allows for customization of inputs and outputs. The TS-5645 is built with industrial grade components and supports a wide temperature range, to allow for placement in a variety of environments. These HMIs operate with a powerful Intel 8th generation CPU and have the capability to run Windows 11.

USA

Teguar
2920 Whitehall Park Drive
Charlotte, NC 28273
+1 866-693-3105
sales@teguar.com

EUROPE

Teguar Europe AG
Churerstrasse 54, CH-8808
Pfäffikon, Switzerland
+41 41 561 53 11
sales.EU@teguar.com

ASIA

Teguar Taiwan Ltd.
Rm. A, 28F-12., No.99, Sec. 1, Xintai 5th Rd.,
Xizhi Dist., New Taipei City 221, Taiwan (R.O.C.)
+886 2 7751 5319
sales@teguar.com.tw

Technical Specifications

Primary Components

Processor Family	Intel Core I series 8th Generation Whiskey Lake-U
Processor Model	Core i3 8145UE, Core i5-8365UE
Processor Speed	2.2 GHz
Memory Type	2x DDR4 SO-DIMM
Memory Support	4GB, 8GB, 16GB, 32GB, 64GB
Storage Type	1x M.2 M Key, PCIe or SATA, 2242 NVME support
Storage Support	M.2: 128GB-1TB

Power

Input Voltage Range	9-36V DC
Max Power Consumption	35W
Standard Power Adapter	Optional IP65 24 V 2.5A AC/DC Adapter

Battery

Battery Operating Time	20min
------------------------	-------

Expansion Slots

Internal M.2	1x M.2 for NVME SSD Support
--------------	-----------------------------

Enclosure

Material	Optional Stainless Steel 316L, SUS304 Stainless Steel
IP Rating	IP66 Front Bezel
Color	Silver
Led Indicator Light	Power
Mounting Options	Panel Mount, VESA Mount

Certification

Certifications	CE, FCC Class A
----------------	-----------------

Specifications subject to change.

Display

Screen Size	15"
Screen Resolution	1024 x 768 (XGA)
Screen Ratio	4:3
Brightness	300 nits, Optional 1000 nit High Brightness

Touch Screen

Touch Screen	Projected Capacitive, Resistive
--------------	---------------------------------

External I/O Ports

USB	1x MI2 8Pin for USB 1/2, 2x USB 2.0
Serial / Com	1x MI2 8-pin for COM
Ethernet / LAN	1x MI2 8pin RJ45 Gbe LAN
Video Outputs	1x Optional DisplayPort, 1x Optional HDMI
Other Ports	1x MI2 type 3-PIN DC-in

Operating Systems

Windows	Windows 10 IoT, Windows 10 Pro, Windows 11 IoT, Windows 11 Pro
---------	--

Thermal & Environmental

Operating Temperature	0°C - 50°C (32°F - 122°F)
Storage Temperature	-30°C - 70°C (-22°F - 158°F)
Cooling Solution	Passive
Humidity Range	10% - 90% Non-condensing

Weight / Dimensions

Weight	6.7 KG kg (14.8 lbs)
Dimensions	399 x 324 x 53 mm (15.7 x 12.8 x 2.1 in)

Warranty

Warranty	1 Year
----------	--------

USA

Teguar
2920 Whitehall Park Drive
Charlotte, NC 28273
+1 866-693-3105
sales@teguar.com

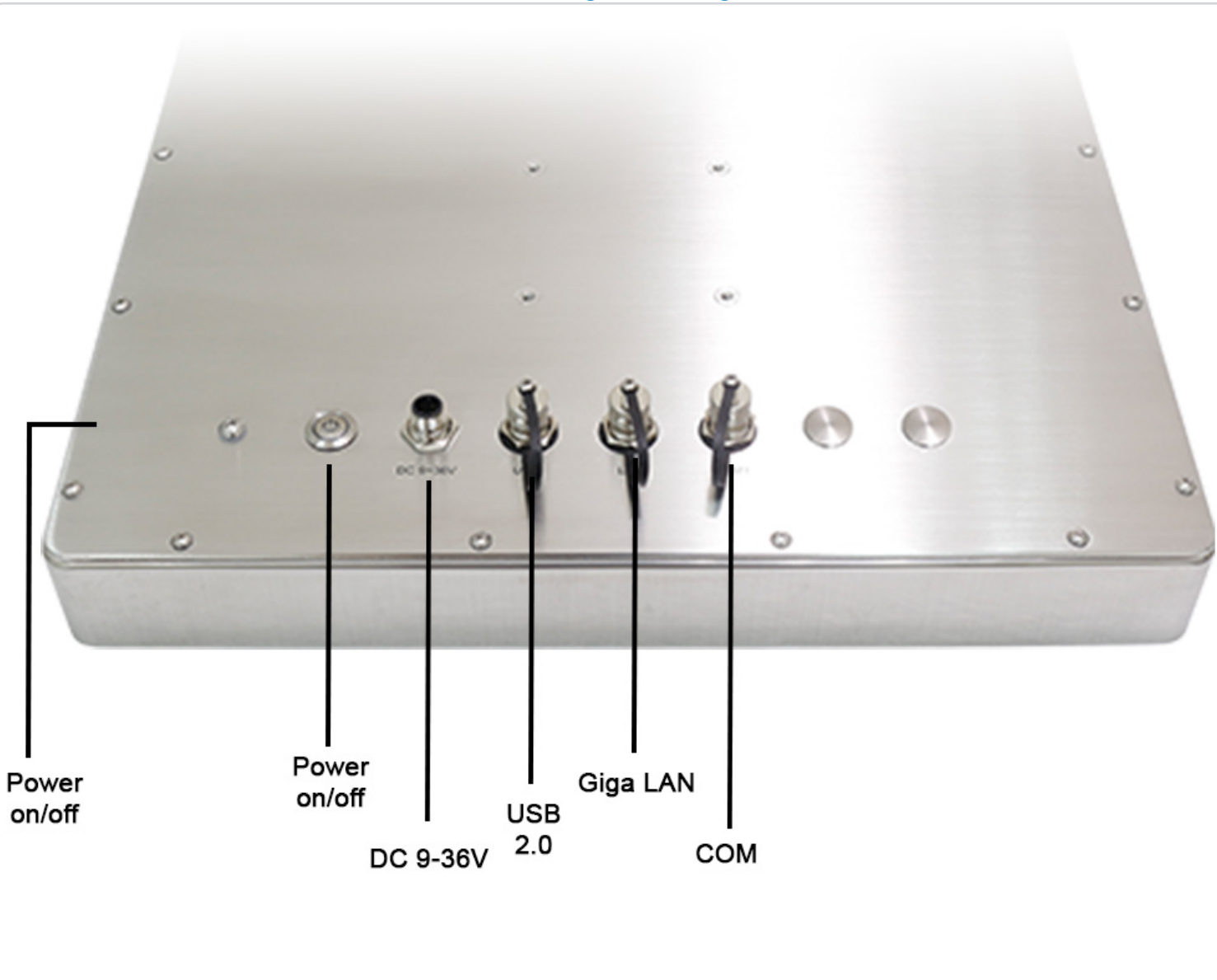
EUROPE

Teguar Europe AG
Churerstrasse 54, CH-8808
Pfäffikon, Switzerland
+41 41 561 53 11
sales.EU@teguar.com

ASIA

Teguar Taiwan Ltd.
Rm. A, 28F-12., No.99, Sec. 1, Xintai 5th Rd.,
Xizhi Dist., New Taipei City 221, Taiwan (R.O.C.)
+886 2 7751 5319
sales@teguar.com.tw

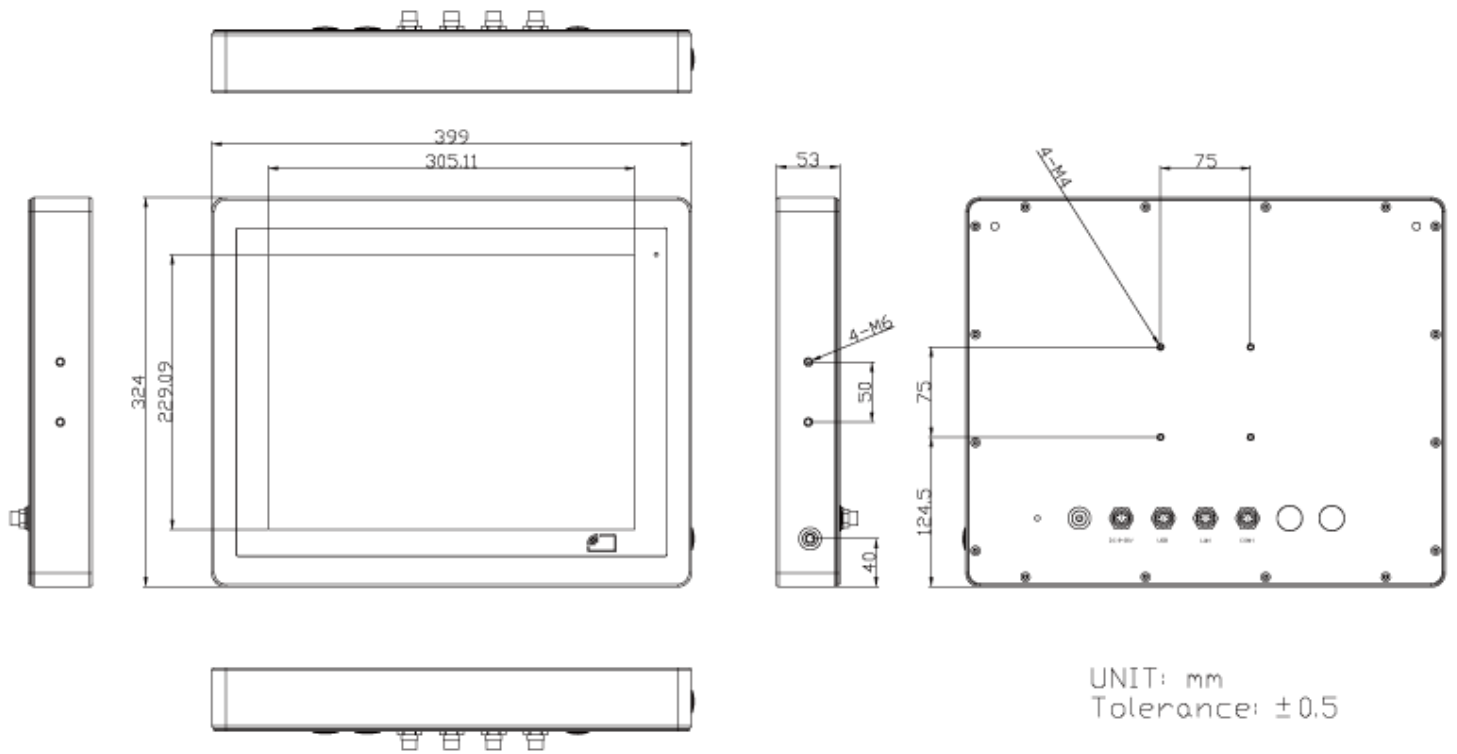
I/O Diagram Images



USA
Teguar
2920 Whitehall Park Drive
Charlotte, NC 28273
+1 866-693-3105
sales@teguar.com

EUROPE
Teguar Europe AG
Churerstrasse 54, CH-8808
Pfäffikon, Switzerland
+41 41 561 53 11
sales.EU@teguar.com

ASIA
Teguar Taiwan Ltd.
Rm. A, 28F-12., No.99, Sec. 1, Xintai 5th Rd.,
Xizhi Dist., New Taipei City 221, Taiwan (R.O.C.)
+886 2 7751 5319
sales@teguar.com.tw



USA

Teguar
2920 Whitehall Park Drive
Charlotte, NC 28273
+1 866-693-3105
sales@teguar.com

EUROPE

Teguar Europe AG
Churerstrasse 54, CH-8808
Pfäffikon, Switzerland
+41 41 561 53 11
sales.EU@teguar.com

ASIA

Teguar Taiwan Ltd.
Rm. A, 28F-12., No.99, Sec. 1, Xintai 5th Rd.,
Xizhi Dist., New Taipei City 221, Taiwan (R.O.C.)
+886 2 7751 5319
sales@teguar.com.tw