

# TS-5645-16

15.6" Stainless Steel HMI



## Key Highlights

- 15.6" LCD TFT touchscreen display
- Intel 8th Generation Core i3 CPU
- Fanless cooling system
- Multiple I/Os including 2x USB 2.0, 1x LAN, and 1x COM
- IP66 waterproof rated

[VIEW ONLINE](#)

The TS-5645-16 Stainless Steel HM is an IP66 waterproof rated computer encased in fully sealed stainless-steel housing. This enclosure makes the unit ideal for wet environments where dust, debris, water, and harsh chemicals are prevalent. M12 waterproof I/O connectors allow the use of inputs and outputs while in these wet environments. The fully fanless design and ability to operate in temperatures ranging from -20°C to 60°C ensure that you can confidently place this computer in the most demanding workplaces. This product runs on an Intel 8th generation Core i3 processor and has the capability of operating with Windows 11.

### USA

Teguar  
2920 Whitehall Park Drive  
Charlotte, NC 28273  
+1 866-693-3105  
sales@teguar.com

### EUROPE

Teguar Europe AG  
Churerstrasse 54, CH-8808  
Pfäffikon, Switzerland  
+41 41 561 53 11  
sales.EU@teguar.com

### ASIA

Teguar Taiwan Ltd.  
Rm. A, 28F-12., No.99, Sec. 1, Xintai 5th Rd.,  
Xizhi Dist., New Taipei City 221, Taiwan (R.O.C.)  
+886 2 7751 5319  
sales@teguar.com.tw

# Technical Specifications

## Primary Components

Processor Family	Intel Celeron or Core i 8th Generation Whiskey Lake
Processor Model	Core i3 8145UE, Core i5-8365UE
Processor Speed	2.2 GHz
Memory Type	2x DDR4 SO-DIMM
Memory Support	4GB, 8GB, 16GB, 32GB, 64GB
Storage Type	1x M.2 M Key, PCIe or SATA, 2242 NVME support
Storage Support	M.2: 128GB-1TB

## Power

Input Voltage Range	9-36V DC
Max Power Consumption	59W
Standard Power Adapter	Optional IP65 24 V 2.5A AC/DC Adapter

## Operating Systems

Windows	Windows 10 IoT, Windows 10 Pro, Windows 11 IoT, Windows 11 Pro
---------	--

## Expansion Slots

Internal M.2	1x M.2 for NVME SSD Support
--------------	-----------------------------

## Enclosure

Material	Optional Stainless Steel 316L, SUS304 Stainless Steel
IP Rating	IP66 Front Bezel
Color	Silver
Led Indicator Light	Power
Mounting Options	Panel Mount, VESA Mount

## Certification

Certifications	CE, FCC Class A
----------------	-----------------

*Specifications subject to change.*

## Display

Screen Size	15.6"
Screen Resolution	1920 x 1080 (Full HD)
Screen Ratio	16:9
Brightness	300 nits, Optional 1000 nit High Brightness

## Touch Screen

Touch Screen	Projected Capacitive, Resistive
--------------	---------------------------------

## External I/O Ports

USB	1x MI2 8Pin for USB 1/2, 2x USB 2.0
Serial / Com	1x MI2 8-pin for COM
Serial Protocol Detail	1x RS-232/422/485 DB-9, default RS-232
Ethernet / LAN	1x MI2 8pin RJ45 Gbe LAN
Video Outputs	1x DisplayPort, 1x HDMI
Other Ports	1x MI2 type 3-PIN DC-in

## Thermal & Environmental

Operating Temperature	0°C - 50°C (32°F - 122°F)
Storage Temperature	-30°C - 70°C (-22°F - 158°F)
Cooling Solution	Passive
Humidity Range	10% - 90% Non-condensing

## Weight / Dimensions

Weight	7.1 kg (15.7 lbs)
Dimensions	432 x 358 x 55 mm (17.0 x 14.1 x 2.2 in)

## Warranty

Warranty	1 Year
----------	--------

### USA

Teguar  
2920 Whitehall Park Drive  
Charlotte, NC 28273  
+1 866-693-3105  
sales@teguar.com

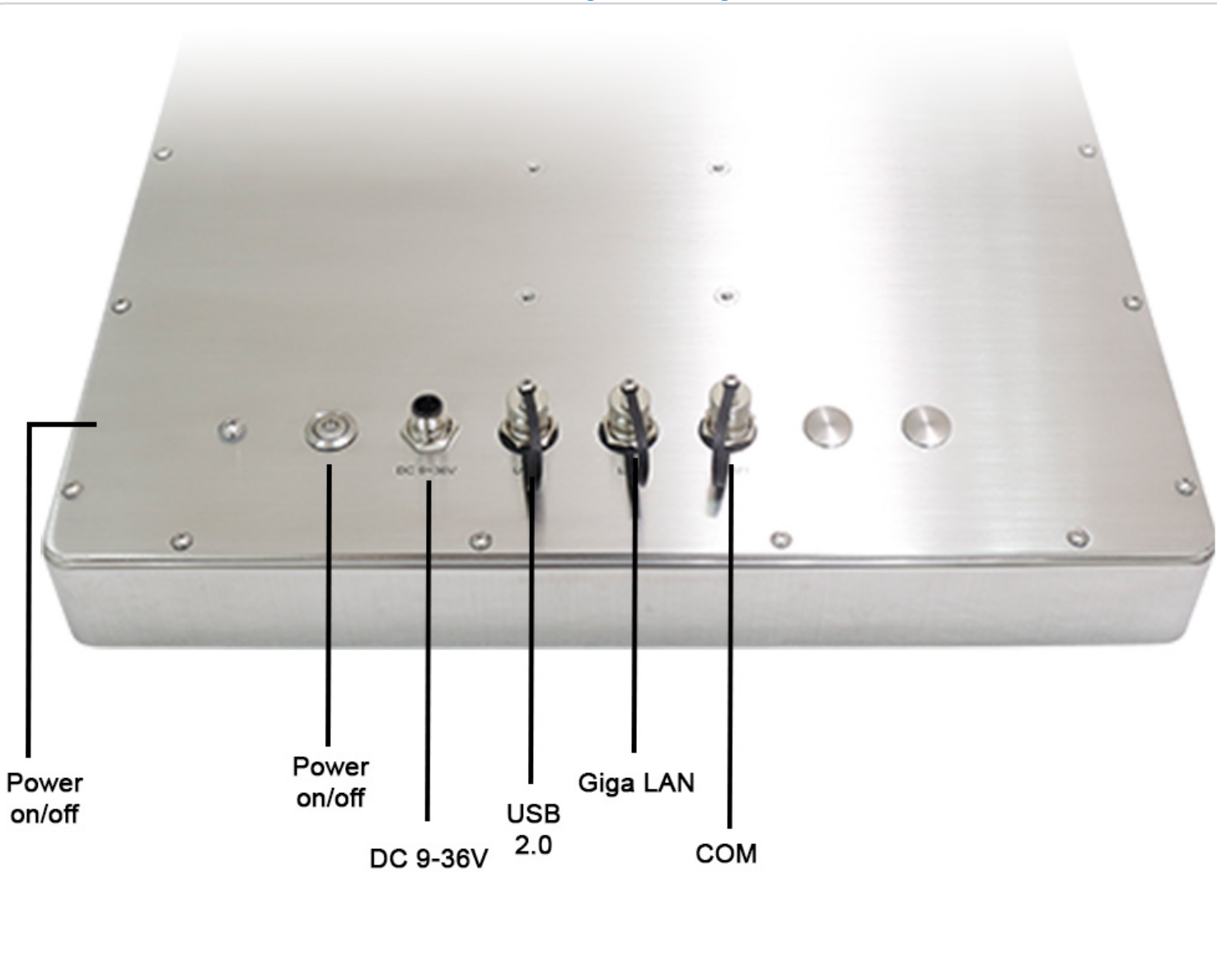
### EUROPE

Teguar Europe AG  
Churerstrasse 54, CH-8808  
Pfäffikon, Switzerland  
+41 41 561 53 11  
sales.EU@teguar.com

### ASIA

Teguar Taiwan Ltd.  
Rm. A, 28F-12., No.99, Sec. 1, Xintai 5th Rd.,  
Xizhi Dist., New Taipei City 221, Taiwan (R.O.C.)  
+886 2 7751 5319  
sales@teguar.com.tw

# I/O Diagram Images



## USA

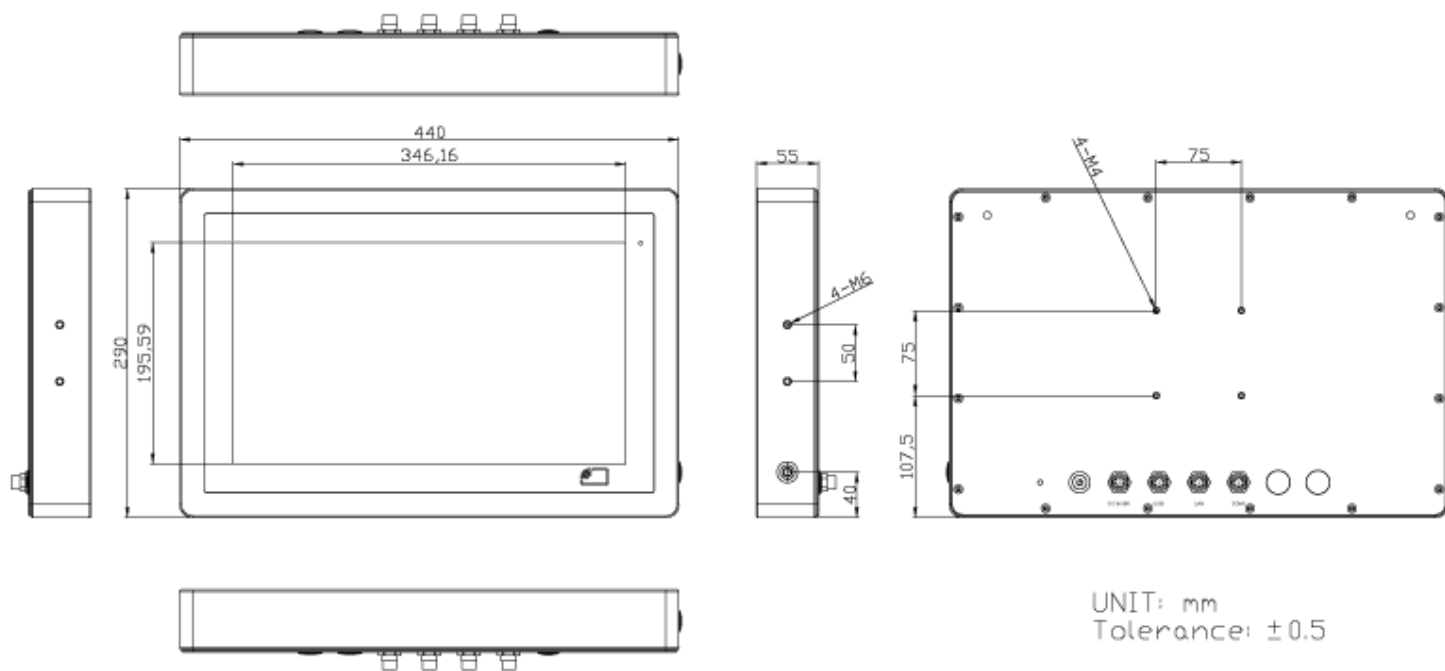
Teguar  
2920 Whitehall Park Drive  
Charlotte, NC 28273  
+1 866-693-3105  
sales@teguar.com

## EUROPE

Teguar Europe AG  
Churerstrasse 54, CH-8808  
Pfäffikon, Switzerland  
+41 41 561 53 11  
sales.EU@teguar.com

## ASIA

Teguar Taiwan Ltd.  
Rm. A, 28F-12., No.99, Sec. 1, Xintai 5th Rd.,  
Xizhi Dist., New Taipei City 221, Taiwan (R.O.C.)  
+886 2 7751 5319  
sales@teguar.com.tw



## USA

Teguar  
2920 Whitehall Park Drive  
Charlotte, NC 28273  
+1 866-693-3105  
sales@teguar.com

## EUROPE

Teguar Europe AG  
Churerstrasse 54, CH-8808  
Pfäffikon, Switzerland  
+41 41 561 53 11  
sales.EU@teguar.com

## ASIA

Teguar Taiwan Ltd.  
Rm. A, 28F-12., No.99, Sec. 1, Xintai 5th Rd.,  
Xizhi Dist., New Taipei City 221, Taiwan (R.O.C.)  
+886 2 7751 5319  
sales@teguar.com.tw