

TS-5645-17

17" Stainless Steel HMI



Key Highlights

- Intel 8th Generation Core i3 CPU
- Fanless cooling system
- IP66 waterproof rated
- Multiple I/Os including 2x USB 2.0, 1x LAN, and 1x COM
- 17" LCD TFT touchscreen display
- VESA 75 mounting

[VIEW ONLINE](#)

The TS-5645-17 Stainless Steel HMI has a fully fanless design and is IP66 waterproof rated. It is encased in a fully sealed, stainless-steel housing, making it ideal for wet environments. Along with M12 waterproof I/O connectors, this unit is ideal in industrial applications where dust, water, or hard chemicals are present. The powerful TS-5645-17 runs on an Intel 8th generation Core i3 CPU with the capability to run Windows 11. Built with industrial-grade components, this computer supports a wide temperature range to allow for placement in a variety of environments.

USA

Teguar
2920 Whitehall Park Drive
Charlotte, NC 28273
+1 866-693-3105
sales@teguar.com

EUROPE

Teguar Europe AG
Churerstrasse 54, CH-8808
Pfäffikon, Switzerland
+41 41 561 53 11
sales.EU@teguar.com

ASIA

Teguar Taiwan Ltd.
Rm. A, 28F-12., No.99, Sec. 1, Xintai 5th Rd.,
Xizhi Dist., New Taipei City 221, Taiwan (R.O.C.)
+886 2 7751 5319
sales@teguar.com.tw

Technical Specifications

Primary Components

Processor Family	Intel Core I series 8th Generation Whiskey Lake-U
Processor Model	Core i3 8145UE, Core i5-8365UE
Processor Speed	2.4 GHz
Memory Type	1x DDR4 SO-DIMM
Memory Support	4GB, 8GB, 16GB, 32GB, 64GB
Storage Type	1x M.2 M Key, PCIe or SATA, 2242 NVME support
Storage Support	M.2: 128GB-1TB

Power

Input Voltage Range	9-36V DC
Max Power Consumption	48W
Standard Power Adapter	Optional IP65 24 V 2.5A AC/DC Adapter

Operating Systems

Windows	Windows 10 IoT, Windows 10 Pro, Windows 11 IoT, Windows 11 Pro
---------	--

Enclosure

Material	Optional SUS316 Stainless Steel, SUS304 Stainless Steel
IP Rating	IP66 Front Bezel
Mounting Options	VESA Mount

Weight / Dimensions

Weight	8.2 kg (18.1 lbs)
Dimensions	432 x 358 x 55 mm (17.0 x 14.1 x 2.2 in)

Specifications subject to change.

Display

Screen Size	17"
Screen Resolution	1280 x 1024 (SXGA)
Screen Ratio	4:3
Brightness	350 nits, Optional 1000 nit High Brightness

Touch Screen

Touch Screen	Projected Capacitive, Resistive
--------------	---------------------------------

External I/O Ports

USB	1x MI2 8Pin for USB 1/2, 2x USB 2.0
Serial Protocol Detail	1x RS-232/422/485 DB-9, default RS-232
Ethernet / LAN	1x MI2 8pin RJ45 Gbe LAN
Video Outputs	1x DisplayPort, 1x HDMI
Other Ports	1x MI2 type 3-PIN DC-in

Thermal & Environmental

Operating Temperature	0°C - 50°C (32°F - 122°F)
Storage Temperature	-30°C - 70°C (-22°F - 158°F)
Cooling Solution	Passive - Fanless
Humidity Range	10% - 90% Non-condensing

Certification

Certifications	CE, FCC Class A
----------------	-----------------

Warranty

Warranty	1 Year
----------	--------

USA

Teguar
2920 Whitehall Park Drive
Charlotte, NC 28273
+1 866-693-3105
sales@teguar.com

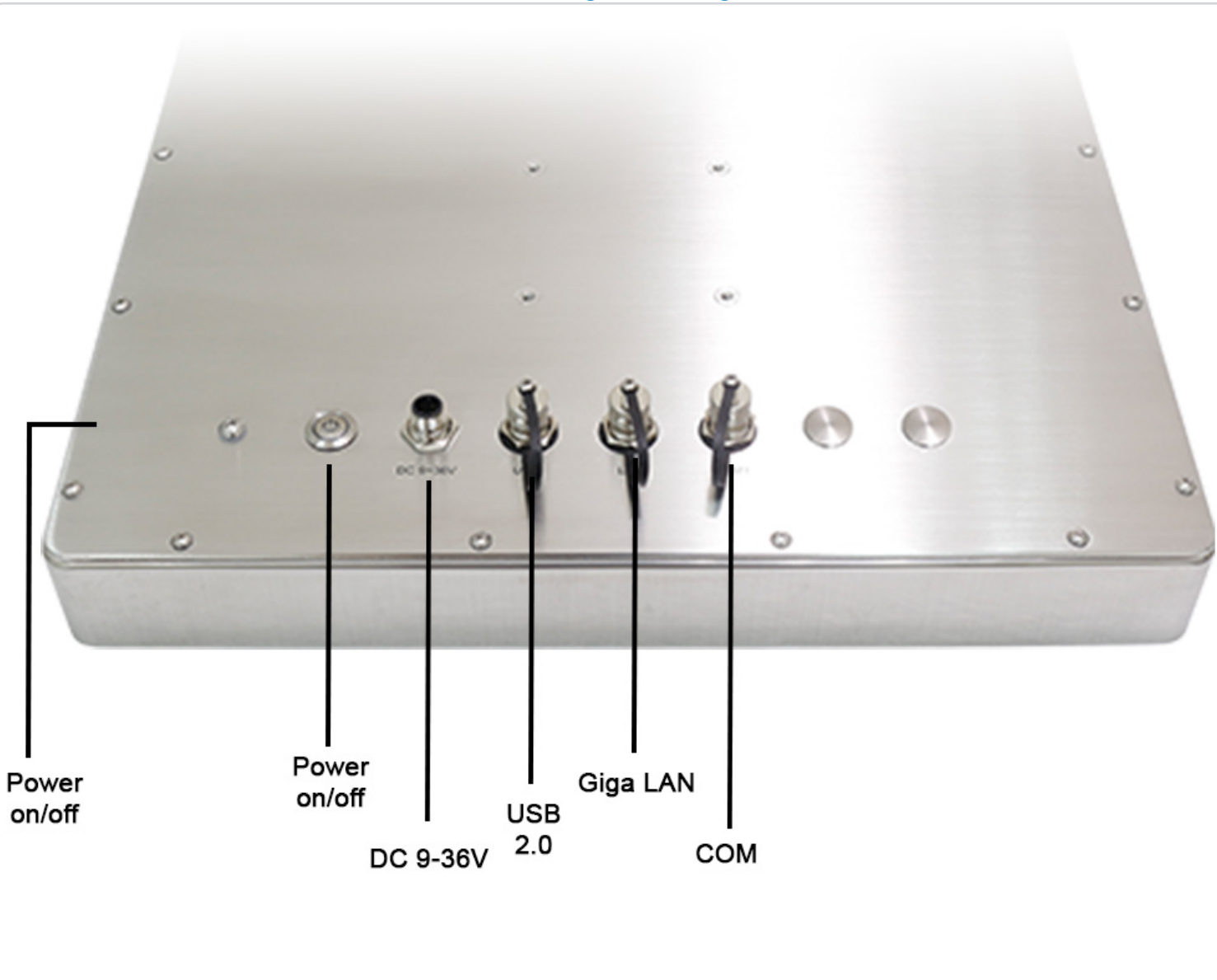
EUROPE

Teguar Europe AG
Churerstrasse 54, CH-8808
Pfäffikon, Switzerland
+41 41 561 53 11
sales.EU@teguar.com

ASIA

Teguar Taiwan Ltd.
Rm. A, 28F-12., No.99, Sec. 1, Xintai 5th Rd.,
Xizhi Dist., New Taipei City 221, Taiwan (R.O.C.)
+886 2 7751 5319
sales@teguar.com.tw

I/O Diagram Images

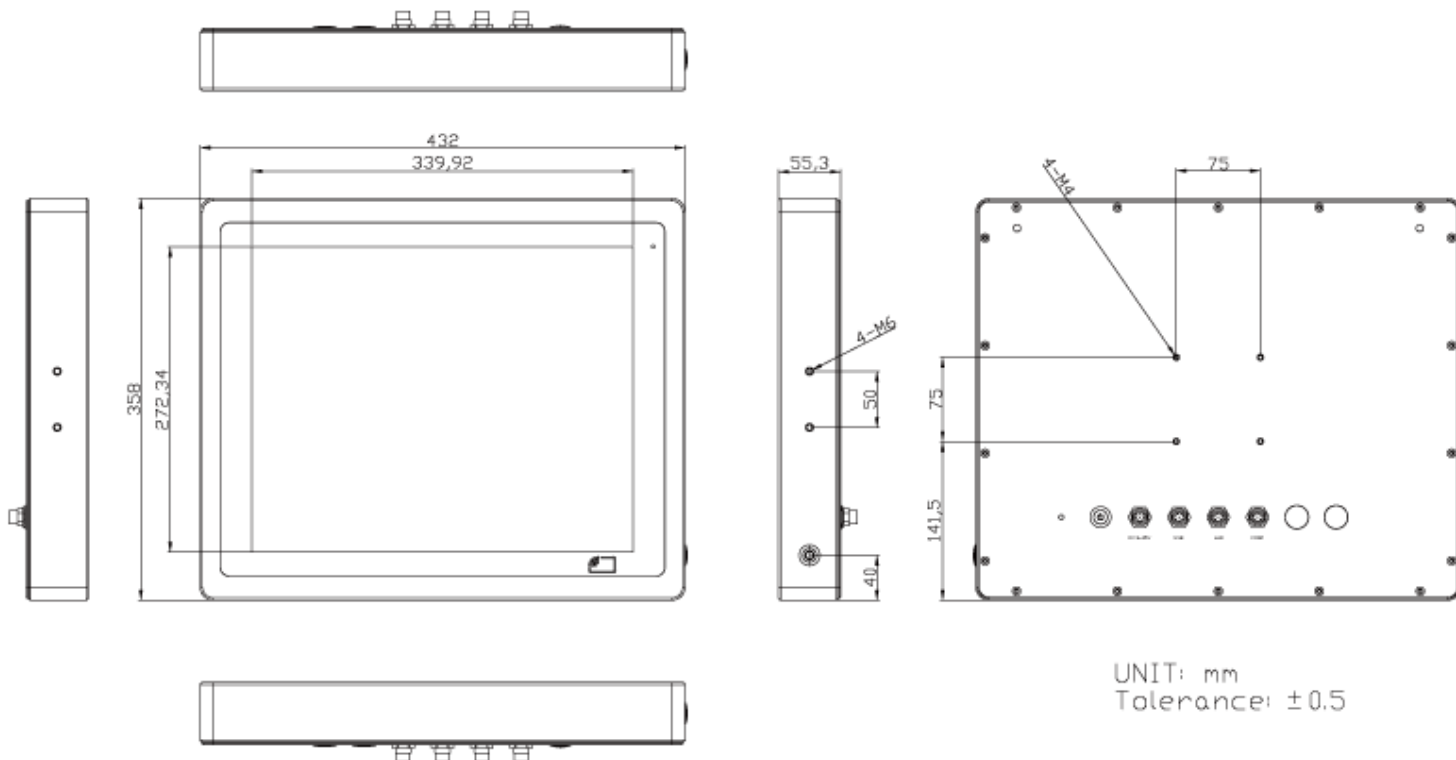


USA
Teguar
2920 Whitehall Park Drive
Charlotte, NC 28273
+1 866-693-3105
sales@teguar.com

EUROPE
Teguar Europe AG
Churerstrasse 54, CH-8808
Pfäffikon, Switzerland
+41 41 561 53 11
sales.EU@teguar.com

ASIA
Teguar Taiwan Ltd.
Rm. A, 28F-12., No.99, Sec. 1, Xintai 5th Rd.,
Xizhi Dist., New Taipei City 221, Taiwan (R.O.C.)
+886 2 7751 5319
sales@teguar.com.tw

Tech Diagram Images



USA

Teguar
2920 Whitehall Park Drive
Charlotte, NC 28273
+1 866-693-3105
sales@teguar.com

EUROPE

Teguar Europe AG
Churerstrasse 54, CH-8808
Pfäffikon, Switzerland
+41 41 561 53 11
sales.EU@teguar.com

ASIA

Teguar Taiwan Ltd.
Rm. A, 28F-12., No.99, Sec. 1, Xintai 5th Rd.,
Xizhi Dist., New Taipei City 221, Taiwan (R.O.C.)
+886 2 7751 5319
sales@teguar.com.tw