

# TP-5710-15

15" Industrial HMI



## Key Highlights

- 15" Full Flat Touchscreen
- High Performance Intel 9th Generation 6-Core i5 CPU
- Fanless Cooling System
- IP66 Rated Front Bezel
- High TDP Processor
- Multiple inputs and outputs including 4x USB 3.1, 3x COM, 2x Lan, and 3x Display port 1.2

[VIEW ONLINE](#)

The TP-5710-15 has a powerful Intel 6-Core 35W i5 CPU and is built with high quality components to ensure the highest reliability and 24/7 use of industrial and commercial applications. The rugged computer is built with a high TDP processor that we designed into a fanless chassis, encouraging more computing power while still running efficiently and quietly. The [15" panel PC](#) design has an IP66 front rated bezel, making it resistant to spills and sprays. Its modular design makes it easily implemented in a diverse range of applications including machine learning, AI, or 3D modeling.

### USA

Teguar  
2920 Whitehall Park Drive  
Charlotte, NC 28273  
+1 866-693-3105  
[sales@teguar.com](mailto:sales@teguar.com)

### EUROPE

Teguar Europe AG  
Churerstrasse 54, CH-8808  
Pfäffikon, Switzerland  
+41 41 561 53 11  
[sales.EU@teguar.com](mailto:sales.EU@teguar.com)

### ASIA

Teguar Taiwan Ltd.  
Rm. A, 28F-12., No.99, Sec. 1, Xintai 5th Rd.,  
Xizhi Dist., New Taipei City 221, Taiwan (R.O.C.)  
+886 2 7751 5319  
[sales@teguar.com.tw](mailto:sales@teguar.com.tw)

# Technical Specifications

## Primary Components

Processor Family	Intel Core-I Series 9th Generation Coffee Lake
Processor Model	Core i5-9500TE
Memory Type	2x DDR4 SO-DIMM
Memory Support	4GB, 8GB, 16GB, 32GB, 64GB
Storage Type	1x 2.5" SATA Drive Bay for SSD/HDD (easily accessible), 1x M.2 2280 NVME SSD slot
Storage Support	M.2 and 2.5": 128GB - 1TB

## External I/O Ports

USB	4x USB 3.1
Serial / Com	3x COM
Serial Protocol Detail	2x RS-232, 1x RS-232/422/485
Ethernet / LAN	2x RJ45 GbE LAN
Video Outputs	3x DisplayPort 1.2
Audio Ports	1x Audio Line-Out, 1x Mic-In
Power Input Port	4-Pin DC-In (Phoenix Type Terminal Block)

## Compatibility

Security Hardware	fTPM 2.0
-------------------	----------

## Enclosure

Material	Aluminum front bezel and SECC Steel Chassis
IP Rating	IP66 Front Bezel
Color	Black
Mounting Options	Panel Mount, VESA 75 Mount

## Weight / Dimensions

Weight	8.8 kg (19.4 lbs)
Dimensions	398 x 330 x 124 mm (15.7 x 13.0 x 4.9 in)

## Display

Screen Size	15"
Screen Resolution	1024 x 768 (XGA)
Screen Ratio	4:3
Brightness	350 nits

## Touch Screen

Touch Screen	5 Wire Resistive, Projected Capacitive (Multi-touch)
Hardness	Resistive: 3H, P-cap: 7H

## Power

Input Voltage Range	19-28V DC
Max Power Consumption	96W
Standard Power Adapter	Optional 150 watt, universal 100 ~240V AC in, 19V DC out, 7.8A

## Operating Systems

Windows	Windows 10 IoT, Windows 10 Pro, Windows 11 Pro
Linux	Linux Ubuntu 20.04 or above (Contact your sales rep for more information)

## Thermal & Environmental

Operating Temperature	0°C - 50°C (32°F - 122°F)
Storage Temperature	-20°C - 60°C (-4°F - 140°F)
Cooling Solution	Passive - Fanless with Heatsink

## Peripherals & Wireless Connectivity

WiFi	Optional 802.11 ac + Bluetooth with External Antennas
Bluetooth	Optional Bluetooth 4.0

## Certification

Certifications	CE, FCC
----------------	---------

## Warranty

Warranty	Up to 5 Years
----------	---------------

Specifications subject to change.

### USA

Teguar  
2920 Whitehall Park Drive  
Charlotte, NC 28273  
+1 866-693-3105  
sales@teguar.com

### EUROPE

Teguar Europe AG  
Churerstrasse 54, CH-8808  
Pfäffikon, Switzerland  
+41 41 561 53 11  
sales.EU@teguar.com

### ASIA

Teguar Taiwan Ltd.  
Rm. A, 28F-12., No.99, Sec. 1, Xintai 5th Rd.,  
Xizhi Dist., New Taipei City 221, Taiwan (R.O.C.)  
+886 2 7751 5319  
sales@teguar.com.tw

# I/O Diagram Images



### USA

Teguar  
2920 Whitehall Park Drive  
Charlotte, NC 28273  
+1 866-693-3105  
sales@teguar.com

### EUROPE

Teguar Europe AG  
Churerstrasse 54, CH-8808  
Pfäffikon, Switzerland  
+41 41 561 53 11  
sales.EU@teguar.com

### ASIA

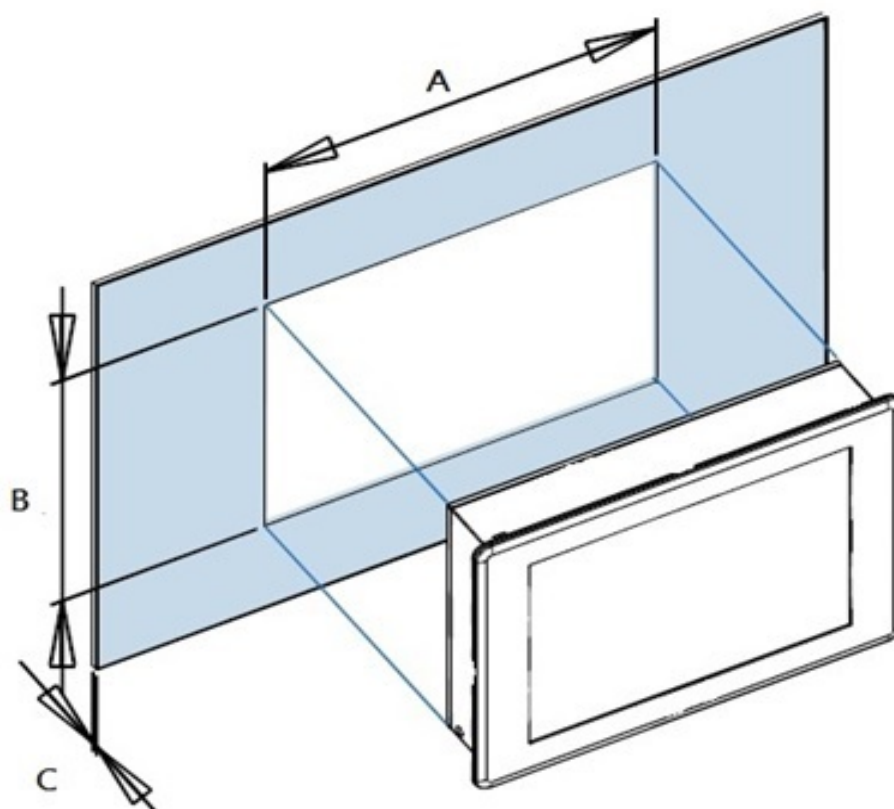
Teguar Taiwan Ltd.  
Rm. A, 28F-12., No.99, Sec. 1, Xintai 5th Rd.,  
Xizhi Dist., New Taipei City 221, Taiwan (R.O.C.)  
+886 2 7751 5319  
sales@teguar.com.tw

## Panel Mount installation

- The Panel PC can be panel mounted and comes with brackets and screws for this purpose. The required cutout for panel mounting and maximum panel thickness is shown below.

	A	B	C
15"	357	292	12
17"	392	319	12
19"	459	354	16
22"	536	326	8
24"	606	374	8

Unit: mm



### USA

Teguar  
2920 Whitehall Park Drive  
Charlotte, NC 28273  
+1 866-693-3105  
sales@teguar.com

### EUROPE

Teguar Europe AG  
Churerstrasse 54, CH-8808  
Pfäffikon, Switzerland  
+41 41 561 53 11  
sales.EU@teguar.com

### ASIA

Teguar Taiwan Ltd.  
Rm. A, 28F-12., No.99, Sec. 1, Xintai 5th Rd.,  
Xizhi Dist., New Taipei City 221, Taiwan (R.O.C.)  
+886 2 7751 5319  
sales@teguar.com.tw