

TP-5710-17

17" Industrial HMI



Key Highlights

- 17" Fully Flat Touchscreen
- Intel 9th Generation 6-Core i5 CPU
- Fanless Cooling System
- Multiple inputs and outputs including 4x USB 3.1, 3x COM, 2x Lan, and 3x Display port 1.2
- Windows 11 Capabilities

[VIEW ONLINE](#)

The TP-5710-17 is ideal for industrial environments where high computing power is needed. This [panel PC](#) comes equipped with a high TDP processor that we designed into a fanless chassis, encouraging more computing power while still running efficiently and quietly. The 17" design can come in either resistive or PCap touchscreens, with an IP66 rated front bezel to protect from spray or splashes. This is a modular Panel PC where the front monitor can be taken off for easy maintenance and cleaning. The Intel 6-Core i5 CPU allows for Windows 11 capabilities and improves the efficiency of your business with faster processing power.

USA

Teguar
2920 Whitehall Park Drive
Charlotte, NC 28273
+1 866-693-3105
sales@teguar.com

EUROPE

Teguar Europe AG
Churerstrasse 54, CH-8808
Pfäffikon, Switzerland
+41 41 561 53 11
sales.EU@teguar.com

ASIA

Teguar Taiwan Ltd.
Rm. A, 28F-12., No.99, Sec. 1, Xintai 5th Rd.,
Xizhi Dist., New Taipei City 221, Taiwan (R.O.C.)
+886 2 7751 5319
sales@teguar.com.tw

Technical Specifications

Primary Components

Processor Family	Intel Core-I Series 9th Generation Coffee Lake
Processor Model	Core i5-9500TE
Memory Type	2x DDR4 SO-DIMM
Memory Support	4GB, 8GB, 16GB, 32GB, 64GB
Storage Type	1x 2.5" SATA Drive Bay for SSD/HDD (easily accessible), 1x M.2 2280 NVME SSD slot
Storage Support	M.2 and 2.5": 128GB - 1TB

External I/O Ports

USB	4x USB 3.1
Serial / Com	3x COM
Serial Protocol Detail	2x RS-232, 1x RS-232/422/485
Ethernet / LAN	2x RJ45 GbE LAN
Video Outputs	3x DisplayPort 1.2
Audio Ports	1x Audio Line-Out, 1x Mic-In
Power Input Port	4-Pin DC-In (Phoenix Type Terminal Block)

Thermal & Environmental

Operating Temperature	0°C - 50°C (32°F - 122°F)
Storage Temperature	-20°C - 60°C (-4°F - 140°F)
Cooling Solution	Passive - Fanless with Heatsink

Peripherals & Wireless Connectivity

WiFi	Optional 802.11 ac + Bluetooth with External Antennas
Bluetooth	Optional Bluetooth 4.0

Certification

Certifications	CE, FCC
----------------	---------

Warranty

Warranty	Up to 5 Years
----------	---------------

Specifications subject to change.

Display

Screen Size	17"
Screen Resolution	1280 x 1024 (SXGA)
Screen Ratio	5:4
Brightness	350 nits

Touch Screen

Touch Screen	5 Wire Resistive, Projected Capacitive (Multi-touch)
Hardness	Resistive: 3H, P-cap: 7H

Power

Input Voltage Range	19-28V DC
Standard Power Adapter	Optional 150 watt, universal 100 ~240V AC in, 19V DC out, 7.8A

Operating Systems

Windows	Windows 10 IoT, Windows 10 Pro, Windows 11 Pro
Linux	Linux Ubuntu 20.04 or above (Contact your sales rep for more information)

Compatibility

Security Hardware	fTPM 2.0
-------------------	----------

Enclosure

Material	Aluminum front bezel and SECC Steel Chassis
IP Rating	IP66 Front Bezel
Color	Black
Mounting Options	Panel Mount, VESA 75 Mount

Weight / Dimensions

Weight	9.4 kg (20.7 lbs)
Dimensions	426 x 358 x 125 mm (16.8 x 14.1 x 4.9 in)

USA

Teguar
2920 Whitehall Park Drive
Charlotte, NC 28273
+1 866-693-3105
sales@teguar.com

EUROPE

Teguar Europe AG
Churerstrasse 54, CH-8808
Pfäffikon, Switzerland
+41 41 561 53 11
sales.EU@teguar.com

ASIA

Teguar Taiwan Ltd.
Rm. A, 28F-12., No.99, Sec. 1, Xintai 5th Rd.,
Xizhi Dist., New Taipei City 221, Taiwan (R.O.C.)
+886 2 7751 5319
sales@teguar.com.tw

I/O Diagram Images



USA

Teguar
2920 Whitehall Park Drive
Charlotte, NC 28273
+1 866-693-3105
sales@teguar.com

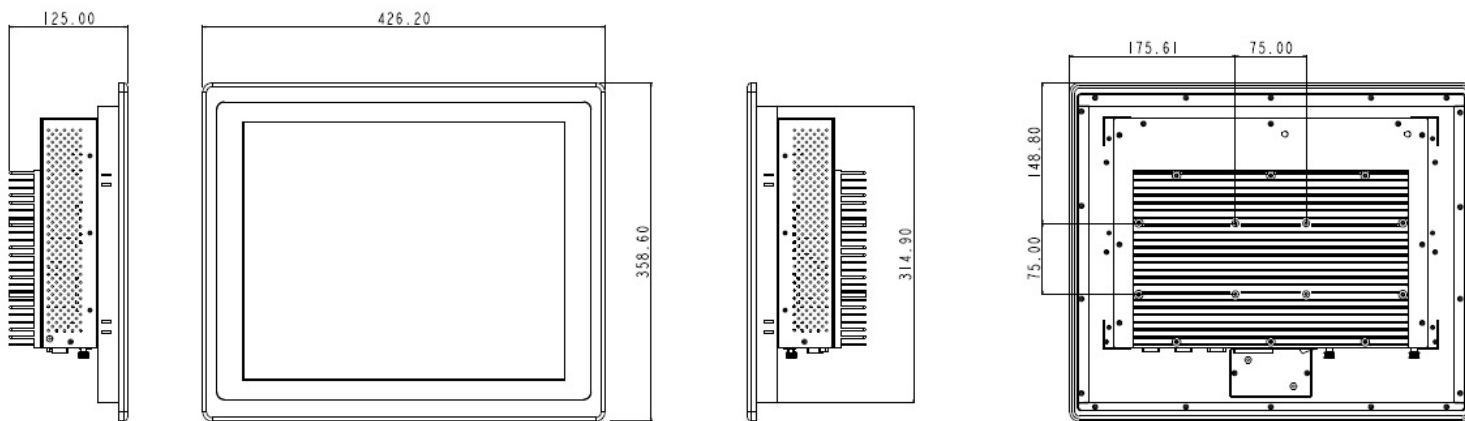
EUROPE

Teguar Europe AG
Churerstrasse 54, CH-8808
Pfäffikon, Switzerland
+41 41 561 53 11
sales.EU@teguar.com

ASIA

Teguar Taiwan Ltd.
Rm. A, 28F-12., No.99, Sec. 1, Xintai 5th Rd.,
Xizhi Dist., New Taipei City 221, Taiwan (R.O.C.)
+886 2 7751 5319
sales@teguar.com.tw

Tech Diagram Images



USA

Teguar
2920 Whitehall Park Drive
Charlotte, NC 28273
+1 866-693-3105
sales@teguar.com

EUROPE

Teguar Europe AG
Churerstrasse 54, CH-8808
Pfäffikon, Switzerland
+41 41 561 53 11
sales.EU@teguar.com

ASIA

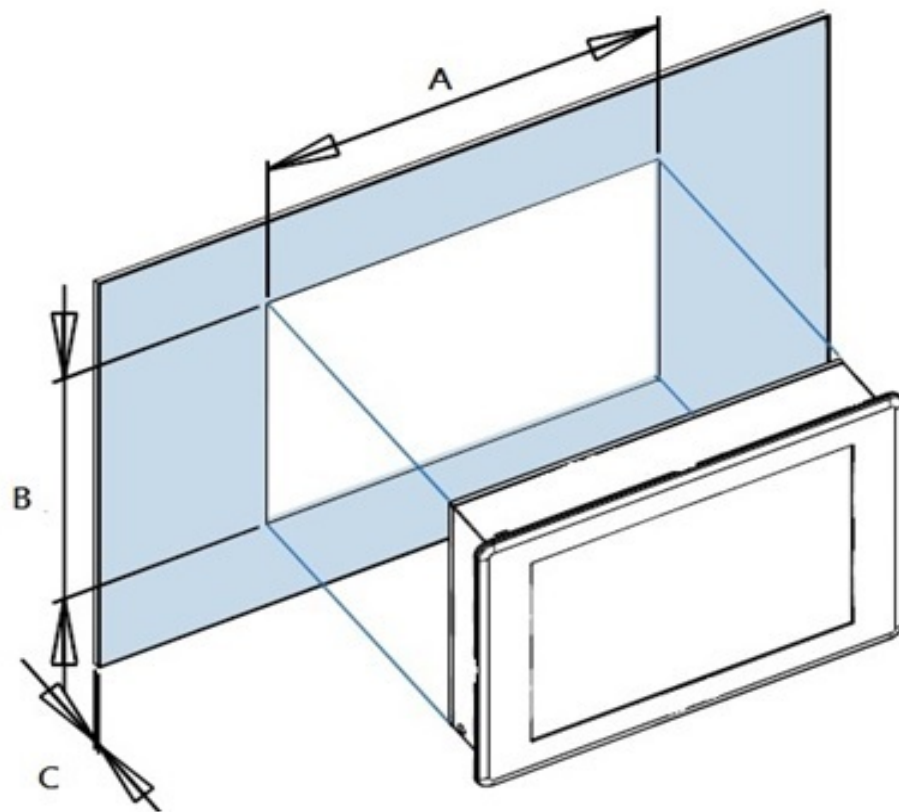
Teguar Taiwan Ltd.
Rm. A, 28F-12., No.99, Sec. 1, Xintai 5th Rd.,
Xizhi Dist., New Taipei City 221, Taiwan (R.O.C.)
+886 2 7751 5319
sales@teguar.com.tw

Panel Mount installation

1. The Panel PC can be panel mounted and comes with brackets and screws for this purpose. The required cutout for panel mounting and maximum panel thickness is shown below.

	A	B	C
15"	357	292	12
17"	392	319	12
19"	459	354	16
22"	536	326	8
24"	606	374	8

Unit: mm



USA

Teguar
2920 Whitehall Park Drive
Charlotte, NC 28273
+1 866-693-3105
sales@teguar.com

EUROPE

Teguar Europe AG
Churerstrasse 54, CH-8808
Pfäffikon, Switzerland
+41 41 561 53 11
sales.EU@teguar.com

ASIA

Teguar Taiwan Ltd.
Rm. A, 28F-12., No.99, Sec. 1, Xintai 5th Rd.,
Xizhi Dist., New Taipei City 221, Taiwan (R.O.C.)
+886 2 7751 5319
sales@teguar.com.tw