

TS-5645-22

21.5" Stainless Steel HMI Panel



Key Highlights

- 21.5" LCD TFT touchscreen display
- Fanless cooling system
- Multiple I/Os including 2x USB 2.0, 1x LAN, and 1x COM
- IP66 waterproof rated
- Intel 8th Generation Core i3 CPU
- VESA 75 mounting

[VIEW ONLINE](#)

The TS-5645-22 Stainless Steel HMI Panel is an IP66 waterproof rated computer encased in fully sealed stainless-steel housing. This enclosure makes the unit ideal for wet environments where dust, debris, water, and harsh chemicals are prevalent. M12 waterproof I/O connectors allow the use of inputs and outputs while in these wet environments. The fully fanless design and ability to operate in temperatures ranging from -20°C to 60°C ensure that you can confidently place this computer in the most demanding workplaces. This product runs on an Intel 8th generation Core i3 processor and has the capability of operating with Windows 11.

USA

Teguar
2920 Whitehall Park Drive
Charlotte, NC 28273
+1 866-693-3105
sales@teguar.com

EUROPE

Teguar Europe AG
Churerstrasse 54, CH-8808
Pfäffikon, Switzerland
+41 41 561 53 11
sales.EU@teguar.com

ASIA

Teguar Taiwan Ltd.
Rm. A, 28F-12., No.99, Sec. 1, Xintai 5th Rd.,
Xizhi Dist., New Taipei City 221, Taiwan (R.O.C.)
+886 2 7751 5319
sales@teguar.com.tw

Technical Specifications

Primary Components

Processor Family	Intel Core I series 8th Generation Whiskey Lake-U
Processor Model	Core i3 8145UE
Processor Speed	2.4 GHz
Memory Type	2x DDR4 SO-DIMM
Memory Support	4GB, 8GB, 16GB, 32GB, 64GB
Storage Type	1x M.2 M Key, PCIe or SATA, 2242 NVME support
Storage Support	M.2: 128GB-1TB

Power

Input Voltage Range	9-36V DC
Max Power Consumption	34W

Operating Systems

Windows	Windows 10 IoT, Windows 10 Pro, Windows 11 Pro
---------	--

Thermal & Environmental

Operating Temperature	0°C - 50°C (32°F - 122°F)
Storage Temperature	-30°C - 70°C (-22°F - 158°F)
Cooling Solution	Passive - Fanless
Humidity Range	10% - 95% Non-condensing

Weight / Dimensions

Weight	10 kg (22.0 lbs)
Dimensions	571 x 362 x 55 mm (22.5 x 14.3 x 2.2 in)

Warranty

Warranty	1 Year
----------	--------

Specifications subject to change.

Display

Screen Resolution	1920 x 1080 (Full HD)
Screen Ratio	16:9
Brightness	250 nits, Optional 1000 nit High Brightness

Touch Screen

Touch Screen	Projected Capacitive, Resistive
--------------	---------------------------------

External I/O Ports

USB	1x M12 8Pin for USB 1/2, 1x Optional M12 8Pin for USB 3.2, 1x Optional M12 8Pin for USB 3/4
Serial / Com	1x M12 8-pin for COM, 1x Optional M12 8-pin for COM 2
Ethernet / LAN	1x M12 8pin RJ45 Gbe LAN, 1x Optional M12 8pin RJ45 Gbe LAN
Video Outputs	1x Optional HDMI
Power Input Port	M12 type 3-PIN DC-in

Compatibility

Security Hardware	fTPM 2.0
-------------------	----------

Enclosure

Material	SUS304 Stainless Steel
IP Rating	IP66 Front Bezel
Color	Silver
Control Buttons	Power Button, Touchscreen Lock for Cleaning
Mounting Options	VESA 75 Mount

Certification

Certifications	CE, FCC Class A
----------------	-----------------

USA

Teguar
2920 Whitehall Park Drive
Charlotte, NC 28273
+1 866-693-3105
sales@teguar.com

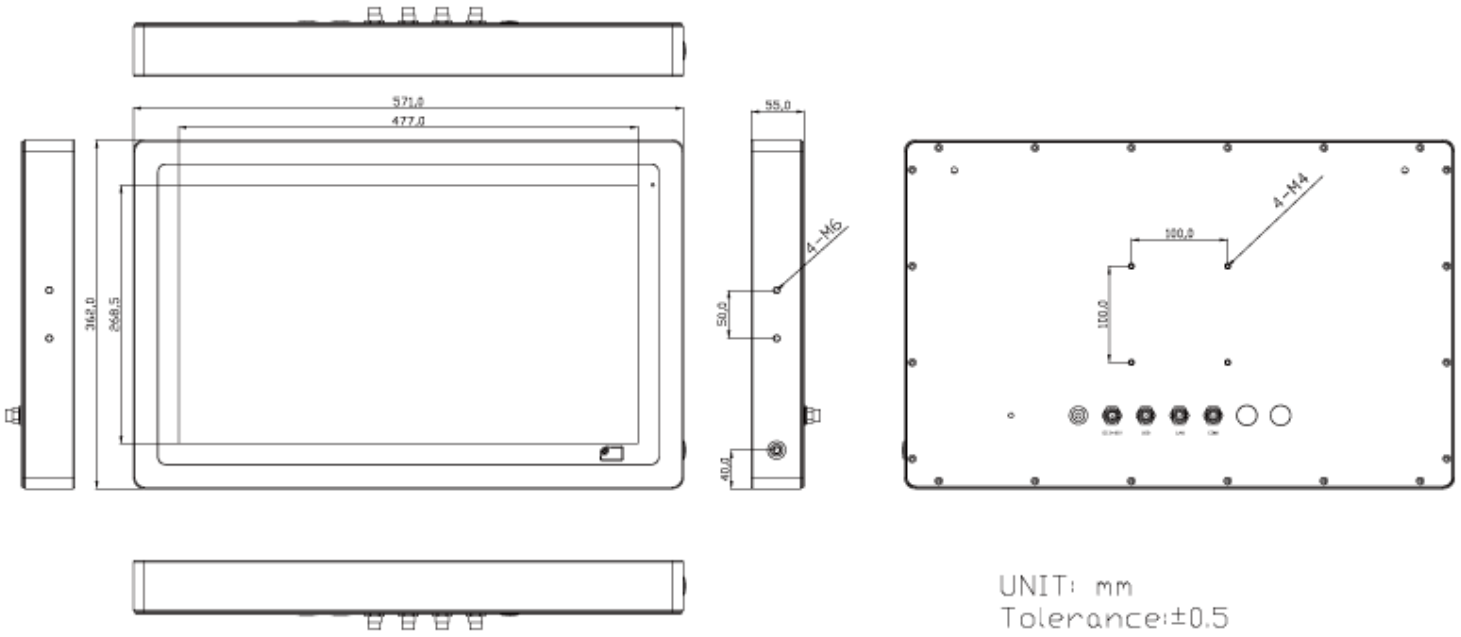
EUROPE

Teguar Europe AG
Churerstrasse 54, CH-8808
Pfäffikon, Switzerland
+41 41 561 53 11
sales.EU@teguar.com

ASIA

Teguar Taiwan Ltd.
Rm. A, 28F-12., No.99, Sec. 1, Xintai 5th Rd.,
Xizhi Dist., New Taipei City 221, Taiwan (R.O.C.)
+886 2 7751 5319
sales@teguar.com.tw

Tech Diagram Images



USA

Teguar
2920 Whitehall Park Drive
Charlotte, NC 28273
+1 866-693-3105
sales@teguar.com

EUROPE

Teguar Europe AG
Churerstrasse 54, CH-8808
Pfäffikon, Switzerland
+41 41 561 53 11
sales.EU@teguar.com

ASIA

Teguar Taiwan Ltd.
Rm. A, 28F-12., No.99, Sec. 1, Xintai 5th Rd.,
Xizhi Dist., New Taipei City 221, Taiwan (R.O.C.)
+886 2 7751 5319
sales@teguar.com.tw