

TP-5945-16

15.6" Touch Screen Panel PC



Key Highlights

- 15.6" PCAP Touchscreen Display
- Windows 11 Capabilities
- Intel 11th Generation Core Processor
Passmark Rating 5820
- VESA Mountable and updated Panel Mount design
- Thin, sleek design

[VIEW ONLINE](#)

The [16" Touch Screen Panel PC](#) has a sleek design, with no exposed metal on the front bezel, creating a seamless wall-mount appearance. Beyond aesthetics, the TP-5945-16 thrives on the power of the Intel 11th generation processor, ensuring smooth Windows 11 operation. PCAP technology ensures accurate and responsive touch functionality. Its innovative two-piece construction enables the box to be removed from the front panel, allowing for easy maintenance. The 16" Touch Screen Panel PC excels in industrial applications like production floors and workstations.

USA

Teguar
2920 Whitehall Park Drive
Charlotte, NC 28273
+1 866-693-3105
sales@teguar.com

EUROPE

Teguar Europe AG
Churerstrasse 54, CH-8808
Pfäffikon, Switzerland
+41 41 561 53 11
sales.EU@teguar.com

ASIA

Teguar Taiwan Ltd.
Rm. A, 28F-12., No.99, Sec. 1, Xintai 5th Rd.,
Xizhi Dist., New Taipei City 221, Taiwan (R.O.C.)
+886 2 7751 5319
sales@teguar.com.tw

Technical Specifications

Primary Components

Processor Family	Intel Core I series 11th Generation Tiger Lake
Processor Model	Core i3-1115G4E, Core i5 1145G7E
Memory Type	2x DDR4 SO-DIMM
Memory Support	4GB, 8GB, 16GB, 32GB
Storage Type	1x M.2 2280 NVME SSD slot
Storage Support	M.2: 256GB-1TB

External I/O Ports

USB	4x USB 3.2
Serial / Com	1x COM
Serial Protocol Detail	Included Y-Cable provides two DB-9 Com ports: 1x 5-pin RS-232 (COM1) and 1x Configurable 3-Pin RS-232/422/485 (COM2)
Ethernet / LAN	2x RJ45 GbE LAN
Video Outputs	1x DP-1.4/HDMI combo Video Out
Other Ports	1x 2-Pin DC Power Switch Connector
Audio Ports	1x Audio Line-Out
Power Input Port	3-Pin DC-In (Phoenix Type)

Thermal & Environmental

Operating Temperature	0°C - 50°C (32°F - 122°F), -20°C - 60°C (Optional -4°F - 140°F)
Storage Temperature	-30°C - 70°C (-22°F - 158°F)
Cooling Solution	Passive - Fanless
Humidity Range	5% - 95% Non-condensing

Peripherals & Wireless Connectivity

WiFi	Optional 802.11 b/g/n/ac
Bluetooth	Optional Bluetooth 5.1

Warranty

Warranty	Up to 5 Years
----------	---------------

Specifications subject to change.

Display

Screen Size	15.6"
Screen Resolution	1920 x 1080 (Full HD)
Screen Ratio	16:9
Brightness	500 nits, Optional 1000 nit High Brightness

Touch Screen

Touch Screen	Projected Capacitive (Multi-touch)
--------------	------------------------------------

Power

Input Voltage Range	9-36V DC
Max Power Consumption	80W

Operating Systems

Windows	Windows 10 IoT, Windows 10 Pro, Windows 11 Pro
Linux	Linux Ubuntu 20.04 or above (Contact your sales rep for more information)

Compatibility

Security Hardware	fTPM 2.0
-------------------	----------

Expansion Slots

Internal M.2	1x M.2 2230 Key E (for WiFi expansion option)
--------------	---

Enclosure

Material	Aluminum
IP Rating	IP66 Front Bezel
Color	Black
Mounting Options	Panel Mount, VESA 100 Mount

Weight / Dimensions

Weight	3.7 kg (8.2 lbs)
Dimensions	405 x 256 x 59 mm (15.9 x 10.1 x 2.3 in)

USA

Teguar
2920 Whitehall Park Drive
Charlotte, NC 28273
+1 866-693-3105
sales@teguar.com

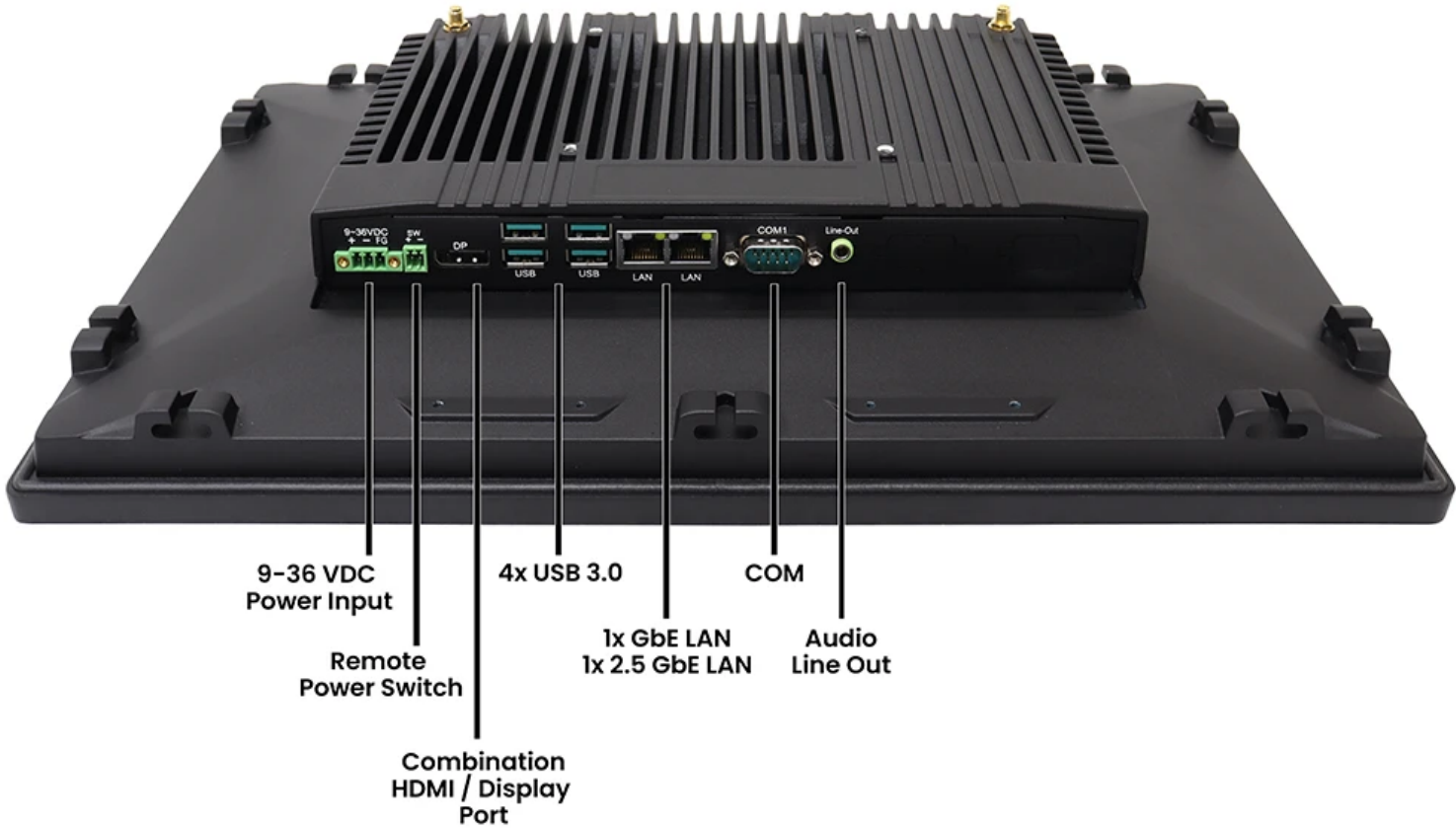
EUROPE

Teguar Europe AG
Churerstrasse 54, CH-8808
Pfäffikon, Switzerland
+41 41 561 53 11
sales.EU@teguar.com

ASIA

Teguar Taiwan Ltd.
Rm. A, 28F-12., No.99, Sec. 1, Xintai 5th Rd.,
Xizhi Dist., New Taipei City 221, Taiwan (R.O.C.)
+886 2 7751 5319
sales@teguar.com.tw

I/O Diagram Images



USA

Teguar
2920 Whitehall Park Drive
Charlotte, NC 28273
+1 866-693-3105
sales@teguar.com

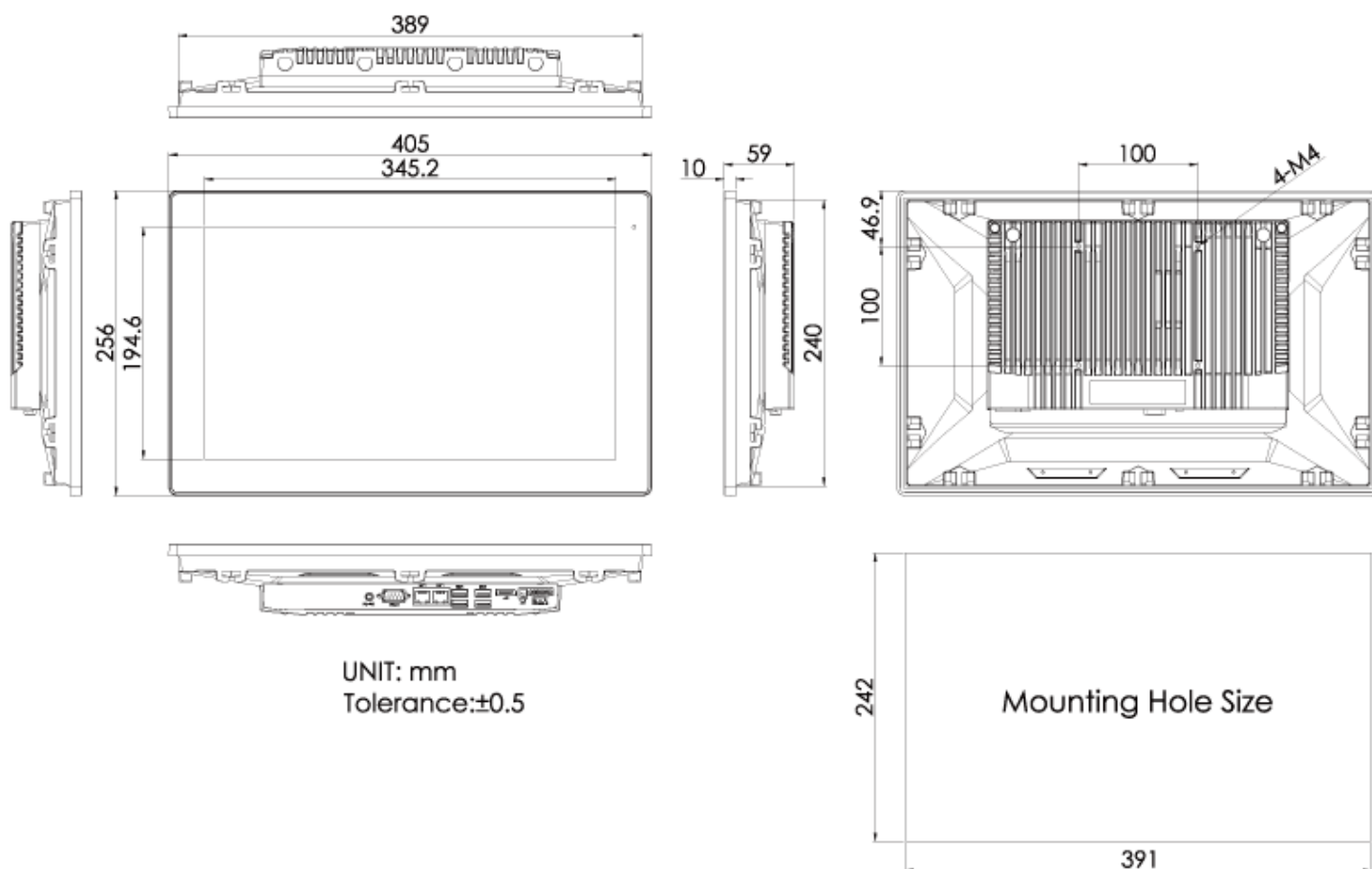
EUROPE

Teguar Europe AG
Churerstrasse 54, CH-8808
Pfäffikon, Switzerland
+41 41 561 53 11
sales.EU@teguar.com

ASIA

Teguar Taiwan Ltd.
Rm. A, 28F-12., No.99, Sec. 1, Xintai 5th Rd.,
Xizhi Dist., New Taipei City 221, Taiwan (R.O.C.)
+886 2 7751 5319
sales@teguar.com.tw

Tech Diagram Images



USA

Teguar
2920 Whitehall Park Drive
Charlotte, NC 28273
+1 866-693-3105
sales@teguar.com

EUROPE

Teguar Europe AG
Churerstrasse 54, CH-8808
Pfäffikon, Switzerland
+41 41 561 53 11
sales.EU@teguar.com

ASIA

Teguar Taiwan Ltd.
Rm. A, 28F-12., No.99, Sec. 1, Xintai 5th Rd.,
Xizhi Dist., New Taipei City 221, Taiwan (R.O.C.)
+886 2 7751 5319
sales@teguar.com.tw