

# TP-7045-12W

12" (Wide) Industrial Panel PC



## Key Highlights

- 12th Generation Alder Lake CPU
- Windows 11
- Fanless with wide operating temperature range
- Multitude of screen sizes (compare to TP-5645)
- Two slots of DDR4 RAM

[VIEW ONLINE](#)

Meet Cornerstone, the TP-7045-12W 12" Widescreen Industrial Panel PC, designed to enhance efficiency and withstand demanding environments. This versatile all-in-one offers the option of a projected capacitive or resistive touch screen, so it can cater to diverse user needs. Powered by a robust Alder Lake [Intel](#)® processor and running Windows 11, Cornerstone delivers seamless performance in a fanless unit. The IP66-rated front bezel ensures protection against dust and liquid damage, while the wide operating temperature range guarantees reliability in a variety of conditions. Enjoy dual DDR4 RAM slots for optimal speed. Lay the groundwork for your industrial application with Cornerstone.

### USA

Teguar  
2920 Whitehall Park Drive  
Charlotte, NC 28273  
+1 866-693-3105  
[sales@teguar.com](mailto:sales@teguar.com)

### EUROPE

Teguar Europe AG  
Churerstrasse 54, CH-8808  
Pfäffikon, Switzerland  
+41 41 561 53 11  
[sales.EU@teguar.com](mailto:sales.EU@teguar.com)

### ASIA

Teguar Taiwan Ltd.  
Rm. A, 28F-12., No.99, Sec. 1, Xintai 5th Rd.,  
Xizhi Dist., New Taipei City 221, Taiwan (R.O.C.)  
+886 2 7751 5319  
[sales@teguar.com.tw](mailto:sales@teguar.com.tw)

# Technical Specifications

## Primary Components

Processor Family	Intel Core I series 12th Generation Alder Lake
Processor Model	Core i3-1215U
Processor Speed	2x Performance Cores @ 4.4 GHz, 4x Efficient Cores @ 3.3 GHz, Up to 4.4 GHz
Memory Type	2x DDR4 SO-DIMM
Memory Support	4GB, 16GB, 32GB, 64GB
Storage Type	1x M.2 2280 NVME SSD slot
Storage Support	M.2: 256GB-1TB

## Power

Input Voltage Range	9-36V DC
---------------------	----------

## Operating Systems

Windows	Windows 10 IoT, Windows 10 Pro, Windows 11 IoT, Windows 11 Pro
---------	--

## Compatibility

Security Hardware	TPM 2.0
-------------------	---------

## Thermal & Environmental

Operating Temperature	-20°C - 60°C (-4°F - 140°F)
Storage Temperature	-30°C - 70°C (-22°F - 158°F)
Cooling Solution	Passive - Fanless with Heatsink
Humidity Range	10% - 95% Non-condensing

## Peripherals & Wireless Connectivity

WiFi	Optional 802.11 a/b/g/n/ac/ax Wi-Fi 6
Bluetooth	Optional Bluetooth 5.3

## Certification

Certifications	CE, FCC
----------------	---------

Specifications subject to change.

## Display

Screen Size	12.1"
Screen Resolution	1280 x 800 (WXGA)
Screen Ratio	16:9
Brightness	600 nits, Optional 1000 nit High Brightness

## Touch Screen

Touch Screen	Projected Capacitive (Multi-touch), Resistive
--------------	---

## External I/O Ports

USB	2x USB 2.0, 2x USB 3.0
Serial / Com	3x COM
Serial Protocol Detail	COM1 & COM2 RS-232/422/485 (BIOS select, RS-232 default), COM3 RS-232
Ethernet / LAN	2x RJ45 GbE LAN
Power Input Port	3-Pin DC-In (Phoenix Type)

## Expansion Slots

Internal M.2	1x M.2 2230 Key E (for WiFi expansion option)
--------------	---

## Enclosure

Material	Aluminum front bezel, Aluminum Heatsink and SECC Steel Chassis
IP Rating	IP66 Front Bezel
Color	Silver
Led Indicator Light	Power
Mounting Options	Panel Mount, VESA 100 Mount

## Weight / Dimensions

Dimensions	328 x 77 x 227 mm (12.9 x 3.0 x 8.9 in)
------------	---

## Warranty

Warranty	Up to 5 Years
----------	---------------

### USA

Teguar  
2920 Whitehall Park Drive  
Charlotte, NC 28273  
+1 866-693-3105  
sales@teguar.com

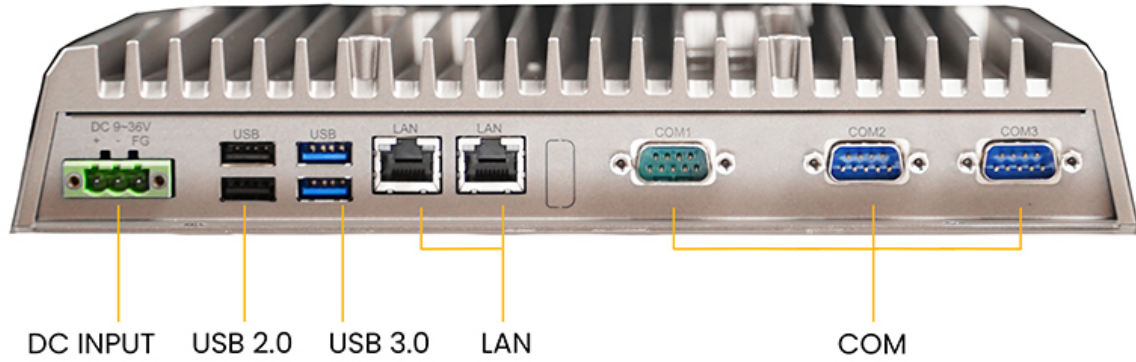
### EUROPE

Teguar Europe AG  
Churerstrasse 54, CH-8808  
Pfäffikon, Switzerland  
+41 41 561 53 11  
sales.EU@teguar.com

### ASIA

Teguar Taiwan Ltd.  
Rm. A, 28F-12., No.99, Sec. 1, Xintai 5th Rd.,  
Xizhi Dist., New Taipei City 221, Taiwan (R.O.C.)  
+886 2 7751 5319  
sales@teguar.com.tw

## I/O Diagram Images



### USA

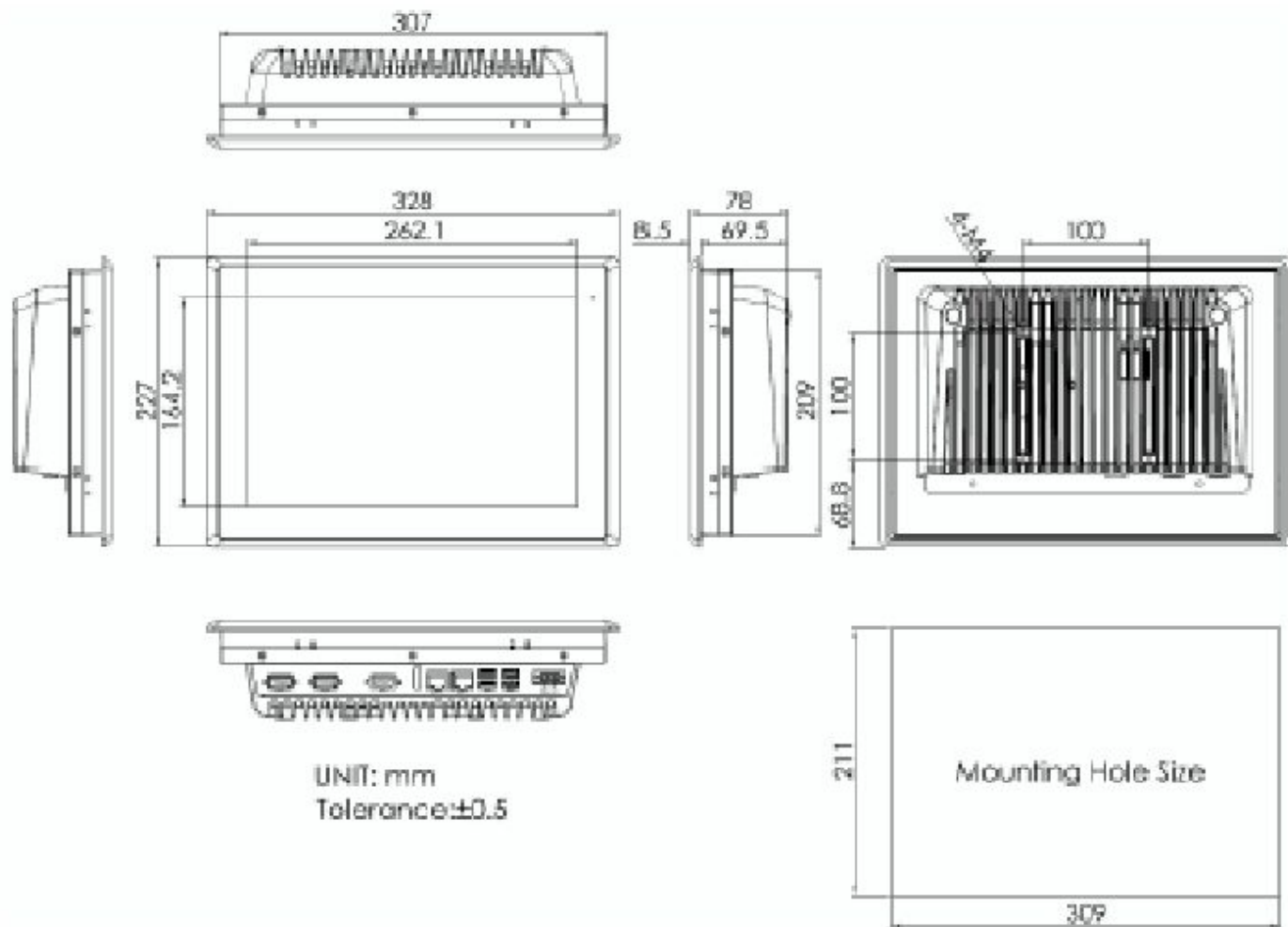
Teguar  
2920 Whitehall Park Drive  
Charlotte, NC 28273  
+1 866-693-3105  
sales@teguar.com

### EUROPE

Teguar Europe AG  
Churerstrasse 54, CH-8808  
Pfäffikon, Switzerland  
+41 41 561 53 11  
sales.EU@teguar.com

### ASIA

Teguar Taiwan Ltd.  
Rm. A, 28F-12., No.99, Sec. 1, Xintai 5th Rd.,  
Xizhi Dist., New Taipei City 221, Taiwan (R.O.C.)  
+886 2 7751 5319  
sales@teguar.com.tw



**USA**

Teguar  
2920 Whitehall Park Drive  
Charlotte, NC 28273  
+1 866-693-3105  
sales@teguar.com

**EUROPE**

Teguar Europe AG  
Churerstrasse 54, CH-8808  
Pfäffikon, Switzerland  
+41 41 561 53 11  
sales.EU@teguar.com

**ASIA**

Teguar Taiwan Ltd.  
Rm. A, 28F-12., No.99, Sec. 1, Xintai 5th Rd.,  
Xizhi Dist., New Taipei City 221, Taiwan (R.O.C.)  
+886 2 7751 5319  
sales@teguar.com.tw