

TP-4680-10

10" Mini Touch Screen Computer



Key Highlights

- Intel Jasper Lake Celeron N5100 processor
- Windows 11 capability
- Amazing speed at a value price, a Passmark rating of over 3300
- Wi-Fi and Bluetooth connectivity
- Flush mountable with IP65 front bezel
- Project capacitive 10" touch screen

[VIEW ONLINE](#)

The TP-4680-10 10" Mini Touch Screen Computer is the perfect solution for high speed, low-power computing on a budget. The [Intel®](#) 11th Generation Celeron processor supports the latest Windows 11 and even machine vision tasks. Its die-cast aluminum build and IP65 front bezel ensure reliability even in dusty and dirty industrial environments. We'll include the panel mount hardware for you, so the fully flush panel design can be seamlessly laid into a wall and operated with the 10" PCAP touch screen. With Wi-Fi and Bluetooth capabilities, this Mini Touch Screen Computer will stay connected. Implement it for employees as a work kiosk or use it to display information seamlessly panel mounted in the wall.

USA

Teguar
2920 Whitehall Park Drive
Charlotte, NC 28273
+1 866-693-3105
sales@teguar.com

EUROPE

Teguar Europe AG
Churerstrasse 54, CH-8808
Pfäffikon, Switzerland
+41 41 561 53 11
sales.EU@teguar.com

ASIA

Teguar Taiwan Ltd.
Rm. A, 28F-12., No.99, Sec. 1, Xintai 5th Rd.,
Xizhi Dist., New Taipei City 221, Taiwan (R.O.C.)
+886 2 7751 5319
sales@teguar.com.tw

Technical Specifications

Primary Components

Processor Family	Intel Jasper Lake Quad-Core
Processor Model	Celeron N5100
Processor Speed	1.1 GHz, Up to 2.8 GHz
Memory Type	Onboard LPDDR4
Memory Support	8GB
Storage Type	1x M.2 SATA3 2280 Slot
Storage Support	M.2: 128GB-1TB

Power

Input Voltage Range	12V DC
Max Power Consumption	48W
Standard Power Adapter	12 Vdc, 4 A, US power cord

Operating Systems

Windows	Windows 10 IoT, Windows 10 Pro, Windows 11 IoT, Windows 11 Pro
---------	----------------------------------------------------------------

Thermal & Environmental

Operating Temperature	-20°C - 60°C (-4°F - 140°F)
Storage Temperature	-30°C - 70°C (-22°F - 158°F)
Cooling Solution	Passive - Fanless with Heatsink
Humidity Range	95% Non-condensing

Peripherals & Wireless Connectivity

WiFi	Built-in Wi-Fi 5, 802.11 a/b/g/n/ac
Bluetooth	Bluetooth 5.0

Weight / Dimensions

Weight	1.2 kg (2.6 lbs)
Dimensions	257.2 x 45.95 x 170 mm (10.1 x 1.8 x 6.7 in)

Specifications subject to change.

Display

Screen Size	10.1"
Screen Resolution	1280 x 800 (WXGA)
Screen Ratio	16:10
Brightness	700 nits

Touch Screen

Touch Screen	Projected Capacitive (Multi-touch)
--------------	------------------------------------

External I/O Ports

USB	2x USB 2.0, 2x USB 3.0
Serial / Com	2x COM
Serial Protocol Detail	RS-232
Ethernet / LAN	2x RJ45 GbE LAN
Video Outputs	1x HDMI
Audio Ports	1x 3.5mm Audio Line-In, 1x 3.5mm Audio Line-Out
Power Input Port	5.0mm DC-in Jack

Enclosure

Material	Aluminum
IP Rating	IP65 Front Bezel
Color	Black
Led Indicator Light	Power
Control Buttons	Power Button
Shock Rating	MIL-STD-810H
Mounting Options	Panel Mount, VESA 100 Mount, VESA 75 Mount

Warranty

Warranty	Up to 5 Years
----------	---------------

USA

Teguar
2920 Whitehall Park Drive
Charlotte, NC 28273
+1 866-693-3105
sales@teguar.com

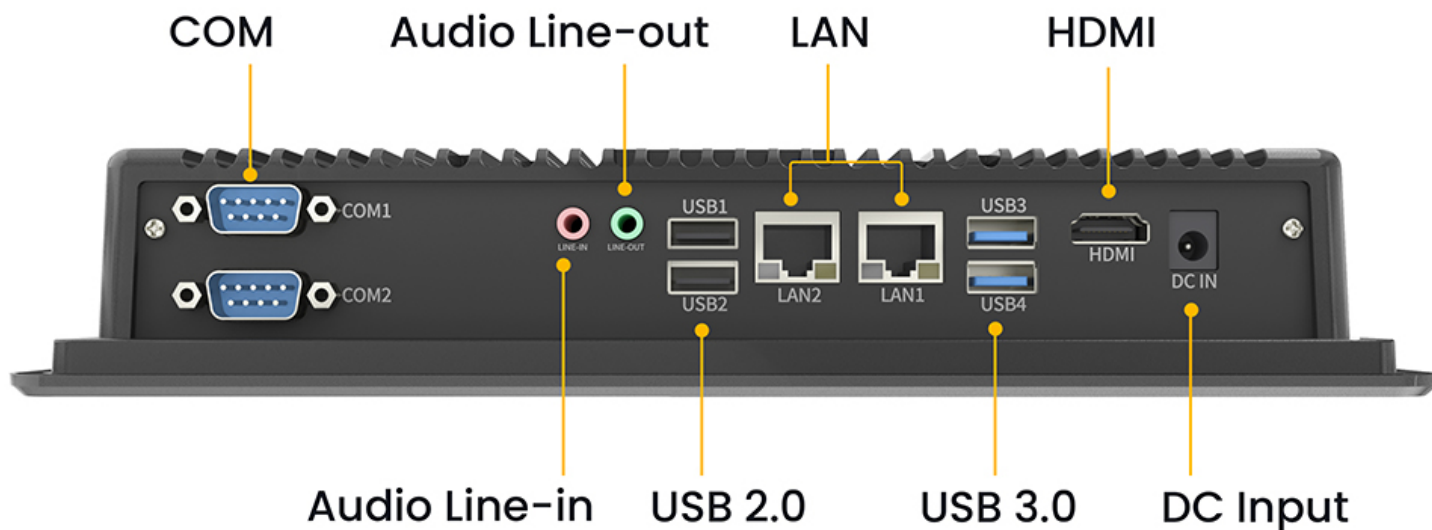
EUROPE

Teguar Europe AG
Churerstrasse 54, CH-8808
Pfäffikon, Switzerland
+41 41 561 53 11
sales.EU@teguar.com

ASIA

Teguar Taiwan Ltd.
Rm. A, 28F-12., No.99, Sec. 1, Xintai 5th Rd.,
Xizhi Dist., New Taipei City 221, Taiwan (R.O.C.)
+886 2 7751 5319
sales@teguar.com.tw

I/O Diagram Images



USA

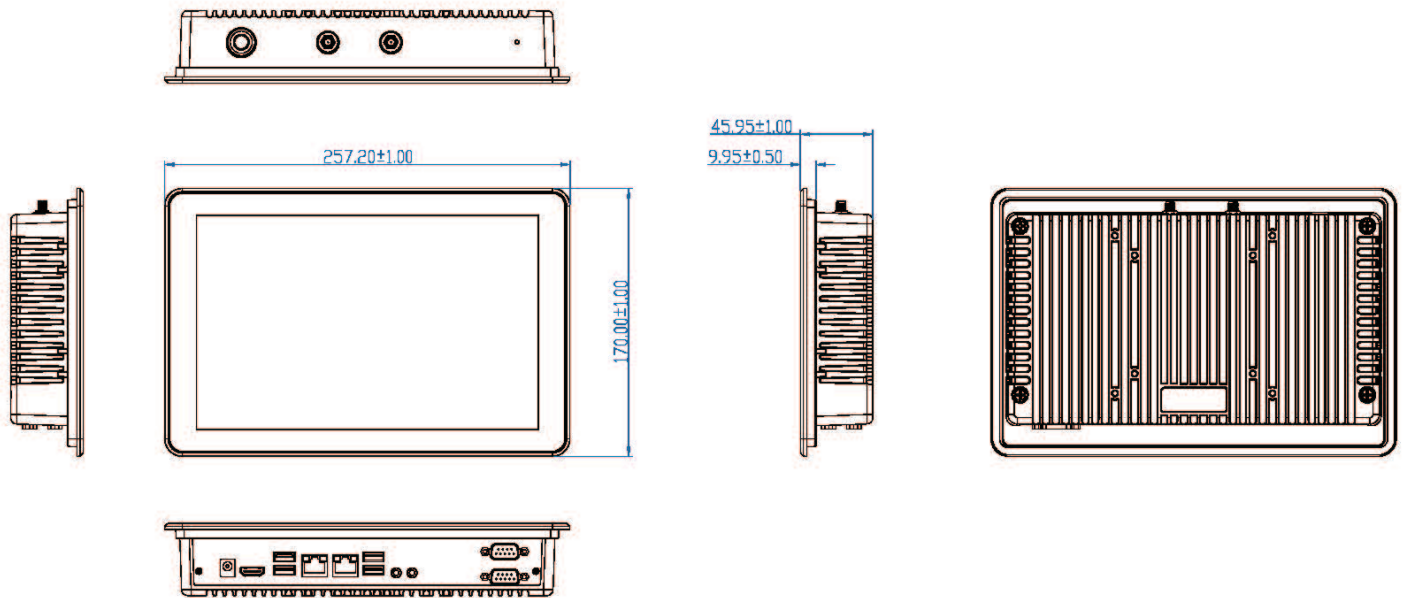
Teguar
2920 Whitehall Park Drive
Charlotte, NC 28273
+1 866-693-3105
sales@teguar.com

EUROPE

Teguar Europe AG
Churerstrasse 54, CH-8808
Pfäffikon, Switzerland
+41 41 561 53 11
sales.EU@teguar.com

ASIA

Teguar Taiwan Ltd.
Rm. A, 28F-12., No.99, Sec. 1, Xintai 5th Rd.,
Xizhi Dist., New Taipei City 221, Taiwan (R.O.C.)
+886 2 7751 5319
sales@teguar.com.tw



USA

Teguar
2920 Whitehall Park Drive
Charlotte, NC 28273
+1 866-693-3105
sales@teguar.com

EUROPE

Teguar Europe AG
Churerstrasse 54, CH-8808
Pfäffikon, Switzerland
+41 41 561 53 11
sales.EU@teguar.com

ASIA

Teguar Taiwan Ltd.
Rm. A, 28F-12., No.99, Sec. 1, Xintai 5th Rd.,
Xizhi Dist., New Taipei City 221, Taiwan (R.O.C.)
+886 2 7751 5319
sales@teguar.com.tw