

TME-7115-24

23.8" Medical Touch Screen Computer



Key Highlights

- Intel® Core i5 and i7 options
- Windows 11 or Linux
- Three hot-swappable batteries
- Configurable DC output and versatile USB-C port for high-power attachments
- Accessible NVMe & 2.5" storage slot
- DDR5 offering 36% increase in bandwidth

[VIEW ONLINE](#)

TME-7115-24 is a high-powered touch screen computer designed for ease and excellence on medical carts and in other mobile medical applications. Hot-swappable batteries set this product apart from other medical-grade all-in-ones. With 3 battery bays, battery indicator LED lights, and a charging station accessory for up to 6 additional batteries, the TME-7115-24 can maintain 24/7 uptime anywhere. The 24" PCAP touch screen is ultra-responsive even through five layers of gloves or with water on the IP65-rated front face, ensuring nothing gets between you and your work. Power the entire medical cart straight from this computer with its configurable DC output, USB 3.2 slots, and USB-C perfect for any cart attachments or accessory equipment.

USA

Teguar
2920 Whitehall Park Drive
Charlotte, NC 28273
+1 866-693-3105
sales@teguar.com

EUROPE

Teguar Europe AG
Churerstrasse 54, CH-8808
Pfäffikon, Switzerland
+41 41 561 53 11
sales.EU@teguar.com

ASIA

Teguar Taiwan Ltd.
Rm. A, 28F-12., No.99, Sec. 1, Xintai 5th Rd.,
Xizhi Dist., New Taipei City 221, Taiwan (R.O.C.)
+886 2 7751 5319
sales@teguar.com.tw

Technical Specifications

Primary Components

Processor Family	Intel Core I series 13th Generation Raptor Lake
Processor Model	Core i5-1340PE, Core i7-1370PE Optional
Processor Speed	4x Performance Cores up to 4.5 GHz, 8x Efficient Cores up to 3.3 GHz Turbo
Memory Type	2x DDR5 SO-DIMM
Memory Support	8GB, 16GB, 32GB, 64GB
Storage Type	1x 2.5" SATA Drive Bay for SSD/HDD (easily accessible), 2x NVME SSD M.2 2280 (easily accessible)
Storage Support	M.2 and 2.5": 256GB - 1TB

External I/O Ports

USB	1x USB Type-C, 2x USB 2.0, 4x USB 3.2
Serial / Com	1x COM
Serial Protocol Detail	RS-232 Default/422/485- BIOS selectable
Ethernet / LAN	2x RJ45 2.5 GbE LAN
Video Outputs	1x HDMI
Audio Ports	1x 3.5mm Audio Line-Out, 1x 3.5mm Microphone Jack
Power Input Port	4-Pin DC-In Jack

Compatibility

Security Hardware	TPM 2.0
--------------------------	---------

Thermal & Environmental

Operating Temperature	0°C - 40°C (32°F - 104°F)
Storage Temperature	-20°C - 60°C (-4°F - 140°F)
Cooling Solution	Passive - Fanless with Heatsink
Humidity Range	10% - 90% Non-condensing

Peripherals & Wireless Connectivity

WiFi	Included 802.11 a/b/g/n/ac/ax Wi-Fi 6E
Bluetooth	Bluetooth 5.2
RFID	Optional RFID module, 13.56MHz/125KHz

Weight / Dimensions

Weight	8.18 (without Batteries) kg (18.0 lbs)
Dimensions	594.6 x 61 x 379.6 mm (23.4 x 2.4 x 14.9 in)

Display

Screen Size	23.8"
Screen Resolution	1920 x 1080 (Full HD)
Screen Ratio	16:9
Brightness	350 nits

Touch Screen

Touch Screen	Projected Capacitive (Multi-touch)
Hardness	6H

Power

Input Voltage Range	19V DC
Standard Power Adapter	19Vdc, 150W Medical Power Supply with US power Cord

Battery

Battery Type	Hot Swappable 10.8V/9000mAh Battery
---------------------	-------------------------------------

Operating Systems

Windows	Windows 10 IoT, Windows 10 Pro, Windows 11 IoT, Windows 11 Pro
Linux	Linux (Contact your sales rep for more information)

Multimedia

Speakers	2x 2W Speakers
Camera	Front: 8MP
Microphone	Built-in Microphone

Enclosure

Material	PC+ABS
IP Rating	IP65 Front Bezel
Color	White
Led Indicator Light	Battery, Charging Indicator, Power
Control Buttons	Audio Down, Audio Up, Brightness Down, Brightness Up, LCD ON/OFF and Touch Lock for Cleaning, Power Button
Mounting Options	Desktop Stand, VESA 100 Mount, VESA 75 Mount

Certification

Certifications	CE, EN60601-1, FCC Class B, UL E465187
-----------------------	--

Warranty

Warranty	Up to 5 Years
-----------------	---------------

Specifications subject to change.

USA

Teguar
2920 Whitehall Park Drive
Charlotte, NC 28273
+1 866-693-3105
sales@teguar.com

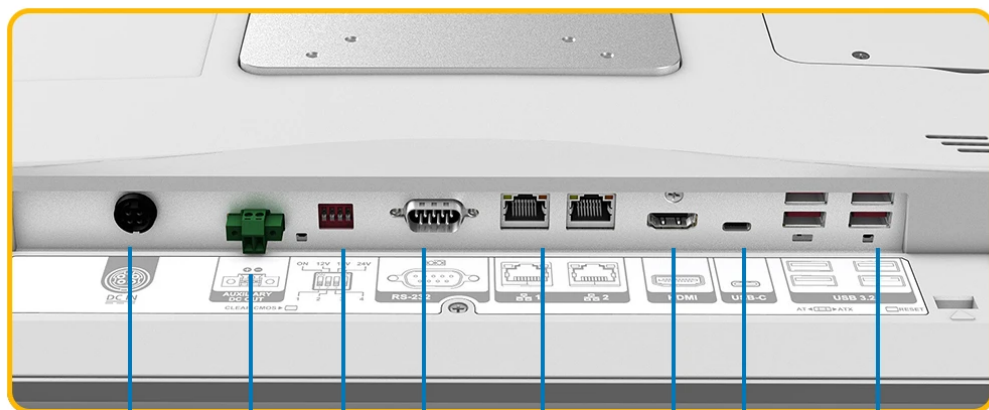
EUROPE

Teguar Europe AG
Churerstrasse 54, CH-8808
Pfäffikon, Switzerland
+41 41 561 53 11
sales.EU@teguar.com

ASIA

Teguar Taiwan Ltd.
Rm. A, 28F-12., No.99, Sec. 1, Xintai 5th Rd.,
Xizhi Dist., New Taipei City 221, Taiwan (R.O.C.)
+886 2 7751 5319
sales@teguar.com.tw

I/O Diagram Images



DC In DC Out COM LAN (x2) HDMI USB-C USB 3.2 (x4)
Configurable DC Power Output



Side:
Microphone In
Audio Jack
USB 2.0 (x2)

USA

Teguar
2920 Whitehall Park Drive
Charlotte, NC 28273
+1 866-693-3105
sales@teguar.com

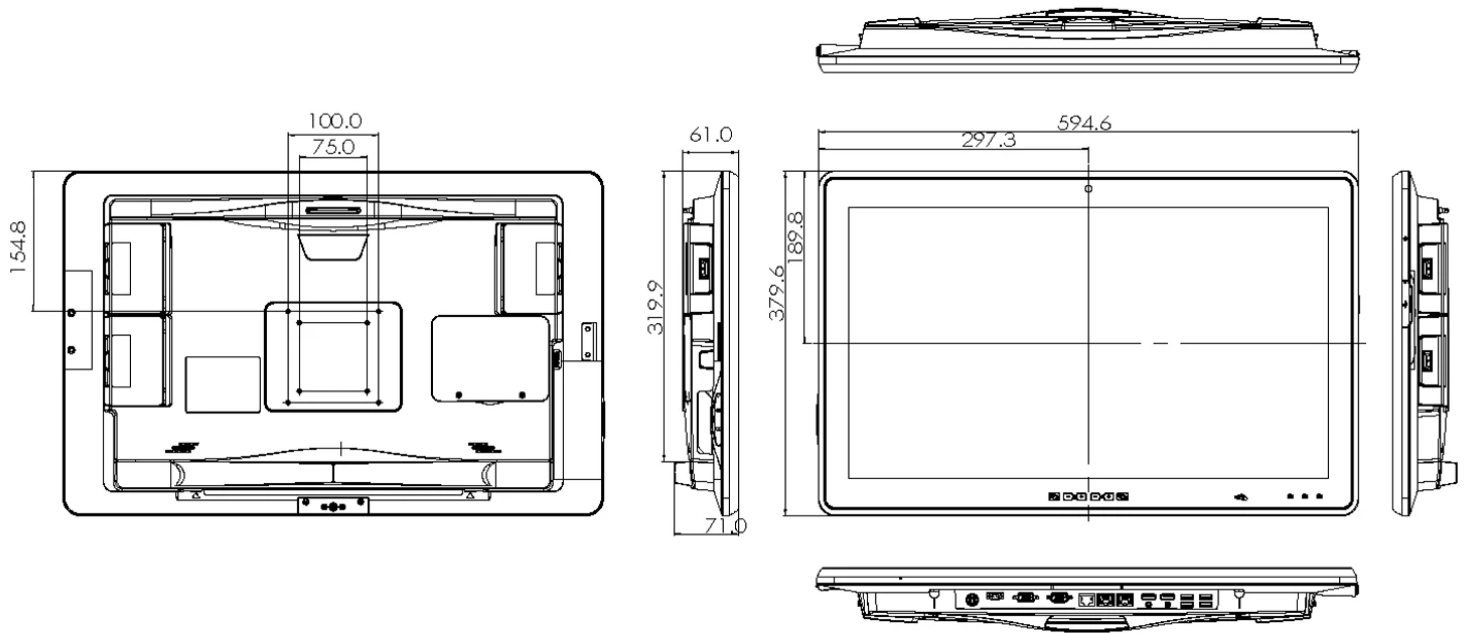
EUROPE

Teguar Europe AG
Churerstrasse 54, CH-8808
Pfäffikon, Switzerland
+41 41 561 53 11
sales.EU@teguar.com

ASIA

Teguar Taiwan Ltd.
Rm. A, 28F-12., No.99, Sec. 1, Xintai 5th Rd.,
Xizhi Dist., New Taipei City 221, Taiwan (R.O.C.)
+886 2 7751 5319
sales@teguar.com.tw

Tech Diagram Images



USA

Teguar
2920 Whitehall Park Drive
Charlotte, NC 28273
+1 866-693-3105
sales@teguar.com

EUROPE

Teguar Europe AG
Churerstrasse 54, CH-8808
Pfäffikon, Switzerland
+41 41 561 53 11
sales.EU@teguar.com

ASIA

Teguar Taiwan Ltd.
Rm. A, 28F-12., No.99, Sec. 1, Xintai 5th Rd.,
Xizhi Dist., New Taipei City 221, Taiwan (R.O.C.)
+886 2 7751 5319
sales@teguar.com.tw