



Features

- 8" LCD with 800 x 600 Resolution
- Rugged Die Cast Aluminum Chassis
- IP66 Compliant Front Panel
- Optional Optical Bonding
- Resistive or Projected Capacitive Touchscreen
- Full Flat Front Panel

Technical Specifications

Display

Screen Size	8"
Resolution	800 x 600 (SVGA)
Screen Ratio	4:3
Brightness	350 nits, Optional 1000 nit High Brightness
Contrast Ratio	500:1
Viewing Angle	140° (H), 125° (V)
Number of Colors Supported	16.2M

Touch Screen

Touch Screen	Projected Capacitive, Resistive
Light Transmission	Over 80% (Resistive), Over 90% (P-Cap)
Lifetime Usage	40,000 hrs, 30,000 hrs (High Brightness)

External I/O ports

USB	1x USB Type B Default (Optional RS-232 DB9)
Video Inputs	1x HDMI, 1x DVI-D, 1x DisplayPort, 1x VGA
Audio	1x 3.5mm Audio Line-Out
Power Input Port	3-Pin DC-In (Phoenix Type)

Enclosure

Material	Aluminum
Ip Rating	IP66 Front Bezel
Color	Silver
Mounting Options	Panel Mount, VESA Mount
Approved Cleaning Solutions	Acetone, Alcohol, Club Soda, Hydrochloric Acid, Methyl Alcohol, Mineral Spirits, Nitric Acid, Sulfuric Acid (low concentration), Vinegar, Warm Water

Cleaning Instructions [View instructions here](#)

Dimensions / Weight

Weight	1.8 KG (4.0 lbs)
Dimensions	231.1 x 176.1 x 50 mm (9.1 x 6.9 x 2.0 in)

Certification

Certifications	CE, FCC Class A
----------------	-----------------

Power

Input Voltage Range 9-32V DC
Max Power 4.7W (Resistive), 3.6W (P-
consumption Cap)
Standard Power Adapter Optional 12V AC/DC Adapter

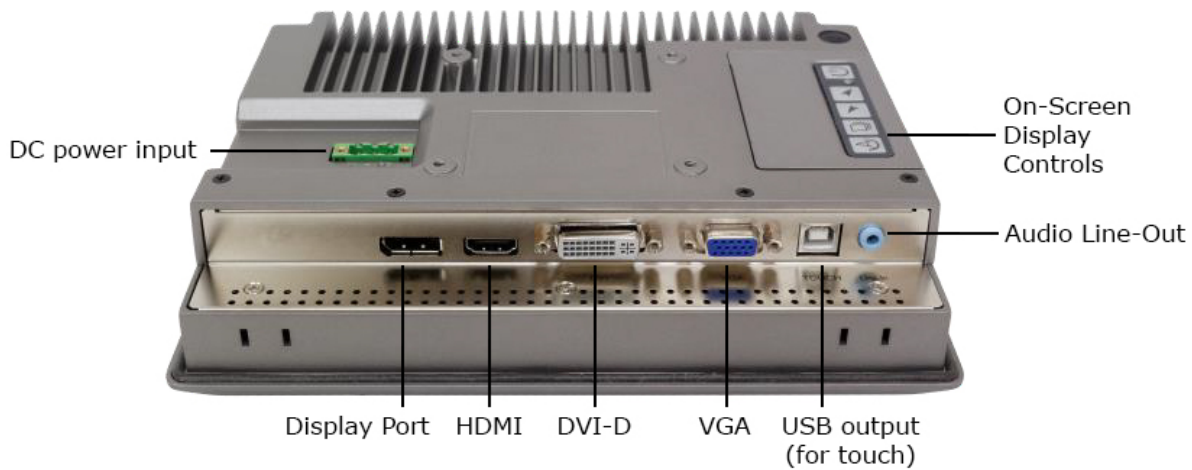
Warranty

Warranty Up to 5 Years

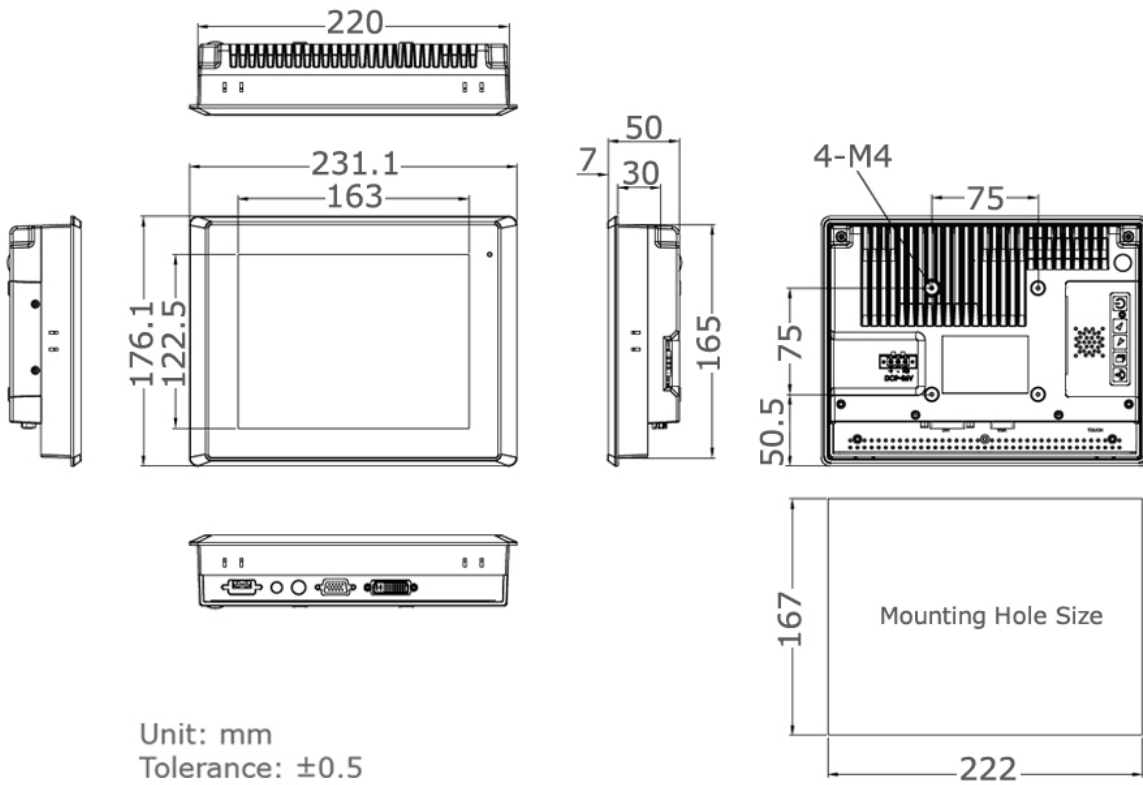
Thermal and Environmental

Operating Temperature Array (32°F – 122°F; Optional -4°F – 140°F)
Storage Temperature Array (-22°F – 158°F)
Storage Humidity 10% – 90% Non-condensing
Cooling Solution Passive – Fanless

Inputs / Outputs



Technical Drawings



All specifications are subject to change without notice.