



## Features

- 8" Gorilla Glass Touchscreen
- Intel Quad Core Z8350 CPU
- Optional High Brightness
- Optional Barcode Scanner
- MIL-STD-810G Shock and Drop Resistant
- Full IP67 Waterproof Protection

## Technical Specifications

### Primary Components

Processor Family	Intel Atom CherryTrail
Processor Model	Z8350
Processor Speed	1.44 GHz
Memory Type	Onboard DDR3
Memory Support	4GB
Storage support	32GB (Standard), up to 128GB (Optional)

### Display

Screen Size	8"
Resolution	1280 x 800 (WXGA)
Screen Ratio	16:10
Brightness	400 nits, Optional 700 nit High Brightness

### Touch Screen

Touch Screen	Projected Capacitive (Multi-touch)
Glass type	Gorilla Glass

### Expansion Slots

video card support	Intel HD Graphics
SD card	1x Micro SD Slot
Other	Pogo Pin Expansion

### Multimedia

Speakers	1x 0.8W Speaker
Camera	Front: 2MP, Rear: 5MP
Microphone	Built-in Microphone

### Thermal and Environmental

Operating Temperature	Array (-4°F – 140°F)
Storage Temperature	Array (-22°F – 158°F)
Humidity Range	95% Non-condensing
Cooling Solution	Passive – Fanless

**External I/O ports**

USB	1x USB 2.0, 1x Micro USB Port
Video Outputs	1x Mini HDMI
Docking Connector	Yes
Audio	1x 3.5mm Headphone Jack
Power Input Port	3.5mm DC-in Jack

**Power**

Standard Power Adapter	AC 100V~240V, 50Hz/60Hz output 5V/3A
------------------------	--------------------------------------

**Battery**

Type	Internal 3.7V/8500mAh Battery
Operating Time	7hrs (Default 50% volume, 50% Brightness, Playing 1080P Video)
Quantity	1x Battery

**Enclosure**

Material	Double Injection
Ip Rating	IP67
Color	Black
Shock Rating	MIL-STD-810G
Mounting Options	Desktop Stand, Forklift Mount, Vehicle Mount
Approved Cleaning Solutions	3M HB Quat, Acetone, Actichlor, Alcohol, Ammonium Nitrate (low concentration), Antigone, Betasept, Bleach, Caviwipes, Chloride, CIDEX, Control III Disinfectant Germicide, Dispatch Disinfectant Cleaner CLH69101, Incidin, Isopropyl Alcohol, LpH se, MikroBac, Mikrozid, Peridox, Puregreen 24 Disinfectant, SDW 70C, Sodium Hypochlorite, SporeClear, Trigene, Viraguard, Virkon, Windex

Cleaning Instructions [View instructions here](#)

**Peripherals & Wireless Connectivity**

WiFi	Wi-Fi a/b/g/n/ac
BlueTooth	Bluetooth 4.1
Mobile Network 3G	Module dependant
Mobile Network 4G LTE	Optional Onboard Quectel 4G LTE , North America,South America, EMEA, Austrailia/NZ
Barcode Scanner	Optional 1D/2D Barcode Scanner
RFID	Optional RFID Scanner
Peripheral Other	Cigarette adapter; Digitizer Pen; Handstrap; Desktop Dock; Vehicle Dock; Forklift Dock; Shoulder Strap; Back Strap; Mounts
Sensors	Accelerometer, Light Sensor

**Dimensions / Weight**

Weight	0.73 KG (1.6 lbs)
Dimensions	226 x 145 x 21.5 mm (8.9 x 5.7 x 0.8 in)

**Operating Systems**

Windows Windows 10 IoT, Windows 10 Pro  
 Android Android 5.X

**Certification**

Certifications CE, FCC Class B

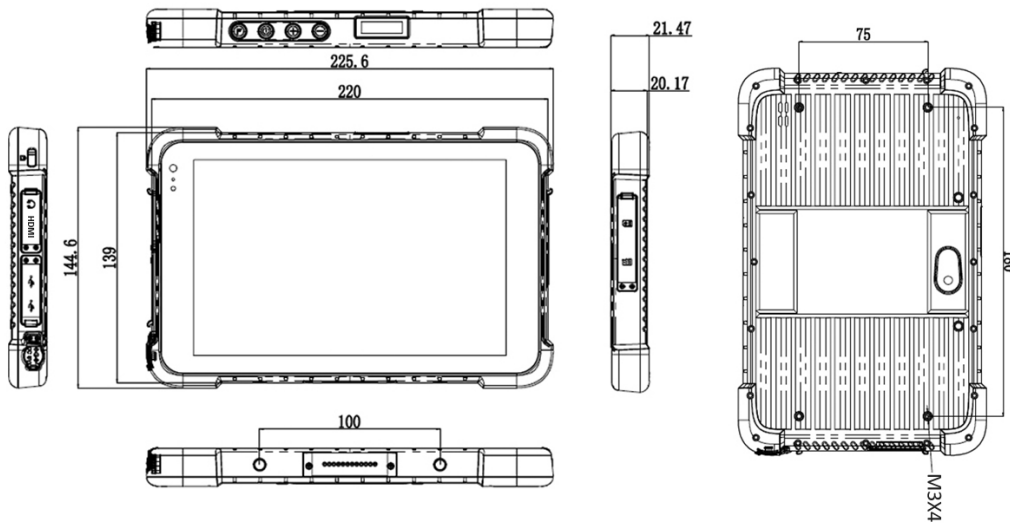
**Compatibility**

Security Hardware fTPM 2.0

**Warranty**

Warranty Up to 3 Years

**Technical Drawings**



*All specifications are subject to change without notice.*