



Features

- 08" Full Flat Panel Touch Screen
- Bay Trail Celeron N2930 Quad-Core CPU
- Very low Power Use with Fanless Design
- Onboard DDR3L 4GB Memory
- IP66 Protected Front with Aluminum Housing
- 2 Pin Connector for Power Switch

Technical Specifications

General

Main Category Industrial Computer

Primary Components

Processor Family Intel Celeron Bay Trail
 Processor Model N2930
 Processor Speed 1.83 GHz
 Memory Type Onboard DDR3
 Memory Support 4GB
 Storage type 1.8" Half Size MO297 SATA Drive Bay
 Storage support 32GB-256GB

Display

Screen Size 8"
 Resolution 800 x 600 (SVGA)
 Screen Ratio 4:3
 Brightness 350 nits, Optional 1000 nit High Brightness
 Contrast Ratio 400:1
 Viewing Angle 140° (H), 125° (V)

Touch Screen

Touch Screen Projected Capacitive, Resistive
 Light Transmission Over 80% (Resistive), Over 90% (P-Cap)

Expansion Slots

Internal Mini PCIe 1x Mini-PCIe

Multimedia

Thermal and Environmental

Operating Temperature Array (32°F – 122°F)
 Storage Temperature Array (-4°F – 140°F)
 Humidity Range 10% – 90% Non-condensing
 Cooling Solution Passive – Fanless with Heatsink

Enclosure

Material Aluminum
 Ip Rating IP66 Front Bezel
 Mounting Options Panel Mount, VESA 75 Mount

External I/O ports

USB	2x USB 3.0
Serial / Com	2x COM
Serial Protocol Detail	1x RS-232/422/485 DB-9, default RS-232(COM1), 1x RS-232 DB-9(COM2)
Ethernet / LAN	2x RJ45 GbE LAN
Video Outputs	1x HDMI
Other Ports	1x 2-Pin DC Power Switch Connector
Audio	1x Audio Line-Out
Power Input Port	3-Pin DC-In (Phoenix Type)

Power

Input Voltage Range	9-36V DC
Standard Power Adapter	Optional 12V AC/DC Adapter

Battery

Operating Systems

Windows	Windows 10 IoT, Windows 10 Pro, Windows 8.1 Pro
Linux	Linux

Compatibility

Peripherals & Wireless Connectivity

WiFi	Optional WiFi
BlueTooth	Optional Bluetooth 4.0
Mobile Network 4G LTE	Optional 4G

Dimensions / Weight

Weight	1.8 KG (4.0 lbs)
Dimensions	231 x 176 x 50 mm (9.1 x 6.9 x 2.0 in)

Certification

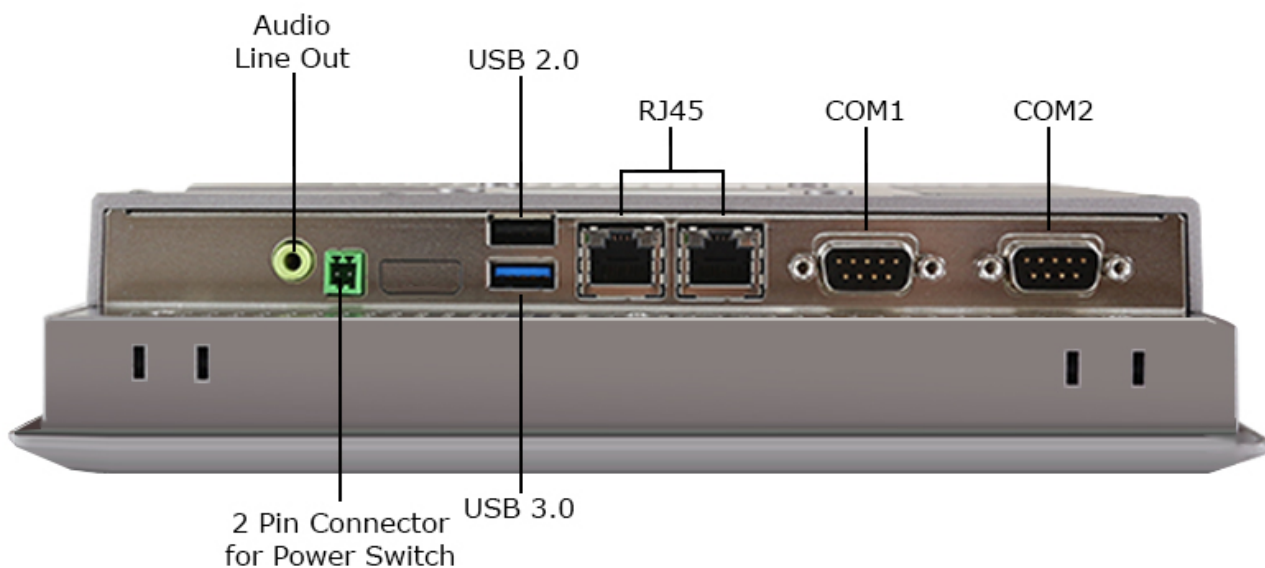
Certifications	CE, FCC Class A, UL 60950
----------------	---------------------------

Warranty

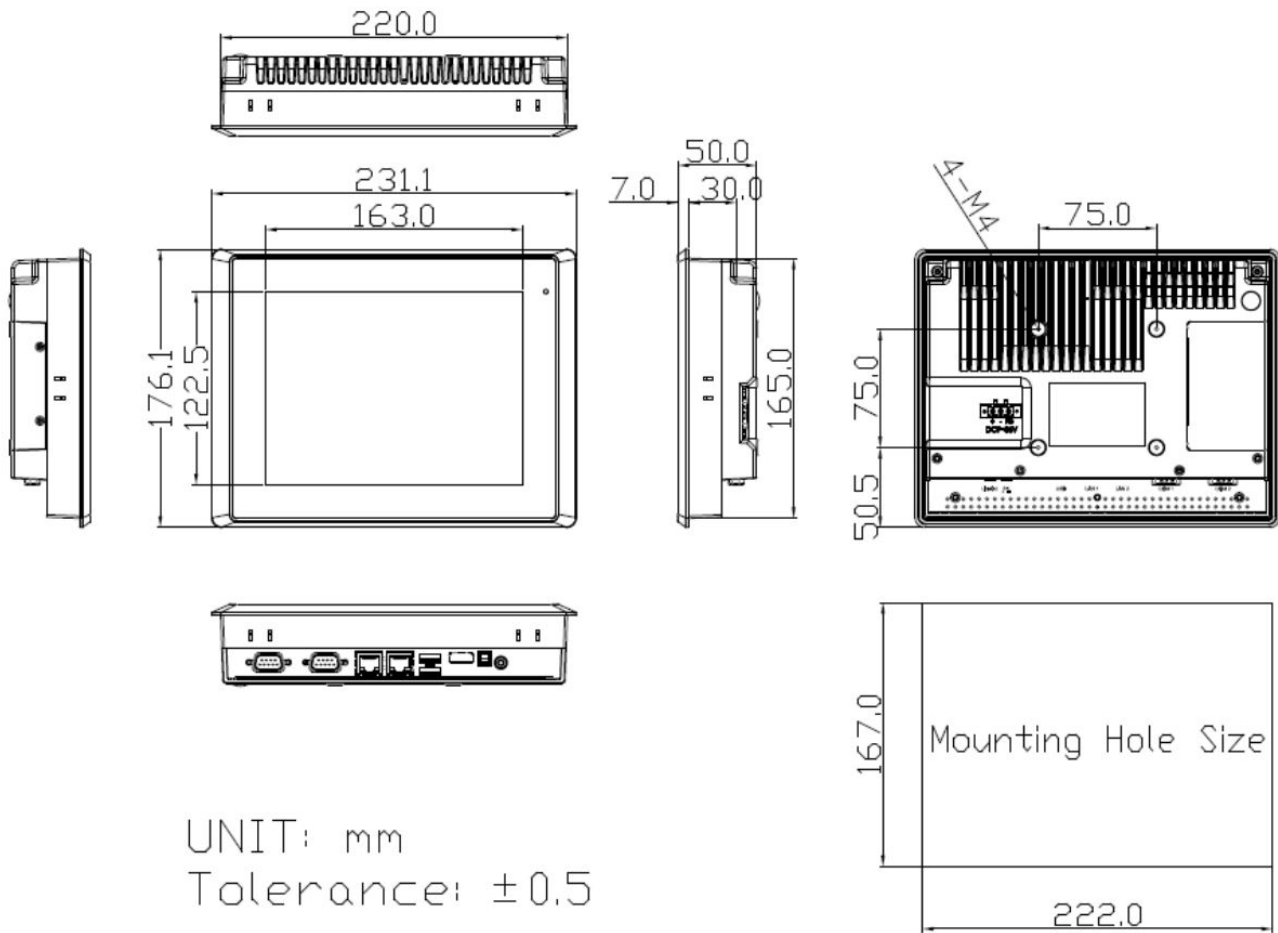
Warranty	Up to 5 Years
----------	---------------

Filters

Inputs / Outputs



Technical Drawings



UNIT: mm
Tolerance: ±0.5

All specifications are subject to change without notice.