



Features

- 7" True Flat Panel Touch Screen
- Intel Celeron Bay Trail CPU
- Ultra-low Power Use with Fanless Design
- Onboard DDR3L 4GB Memory
- IP66 Protected Front with Aluminum Housing
- Wide operating temperature range (0°-50° C or 32°-122° F)

Technical Specifications

Primary Components

Processor Family	Intel Celeron Bay Trail
Processor Model	N2930
Processor Speed	1.83 GHz
Memory Type	Onboard DDR3
Memory Support	4GB
Storage type	1.8" Half Size MO297 SATA Drive Bay
Storage support	32GB-256GB

Display

Screen Size	7"
Resolution	800 x 480 (WVGA)
Screen Ratio	5:3
Brightness	350 nits, Optional 1000 nit High Brightness
Contrast Ratio	400:1
Viewing Angle	140° (H), 120° (V)

Touch Screen

Touch Screen	Projected Capacitive, Resistive
Light Transmission	Over 80% (Resistive), Over 90% (P-Cap)

Thermal and Environmental

Operating Temperature	Array (32°F – 122°F)
Storage Temperature	Array (-4°F – 140°F)
Humidity Range	10% – 90% Non-condensing
Cooling Solution	Passive – Fanless with Heatsink

Enclosure

Material	Aluminum
Ip Rating	IP66 Front Bezel
Mounting Options	Panel Mount, VESA 75 Mount

Peripherals & Wireless Connectivity

WiFi	Optional WiFi
BlueTooth	Optional Bluetooth 4.0
Mobile Network 4G LTE	Optional 4G

External I/O ports

USB	2x USB 3.0
Serial / Com	2x COM
Serial Protocol Detail	1x RS-232/422/485 DB-9, default RS-232(COM1), 1x RS-232 DB-9(COM2)
Ethernet / LAN	2x RJ45 GbE LAN
Video Outputs	1x HDMI
Other Ports	1x 2-Pin DC Power Switch Connector
Audio	1x Audio Line-Out
Power Input Port	3-Pin DC-In (Phoenix Type)

Dimensions / Weight

Weight	1.2 KG (2.6 lbs)
Dimensions	202 x 149 x 39 mm (8.0 x 5.9 x 1.5 in)

Power

Input Voltage Range	9-32V DC
Standard Power Adapter	Optional 12V AC/DC Adapter

Certification

Certifications	CE, FCC Class A, UL 60950
----------------	---------------------------

Operating Systems

Windows	Windows 10 IoT, Windows 10 Pro, Windows 8.1 Pro, Windows 7 Pro
Linux	Linux

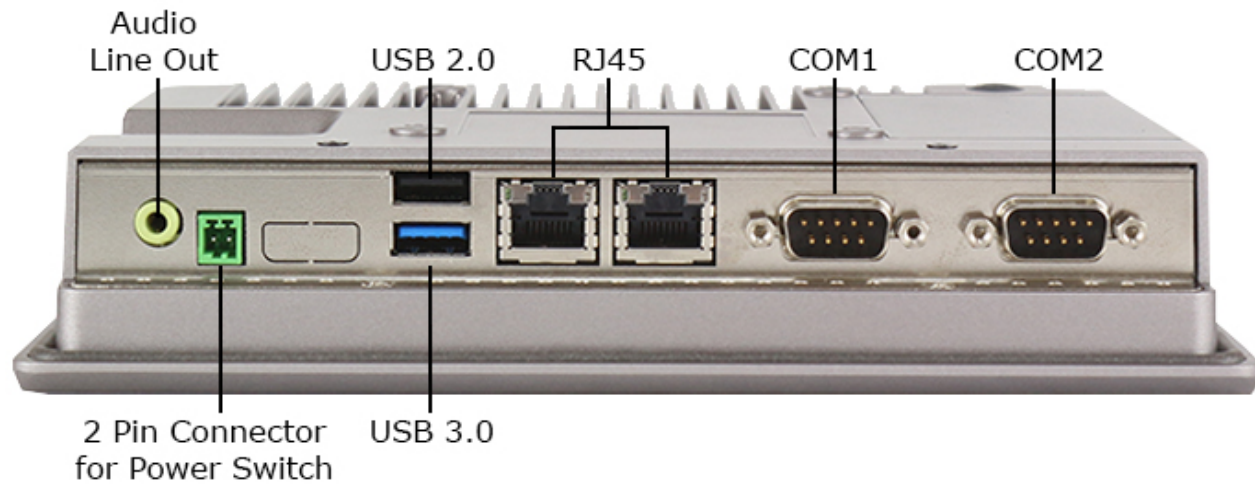
Warranty

Warranty	Up to 5 Years
----------	---------------

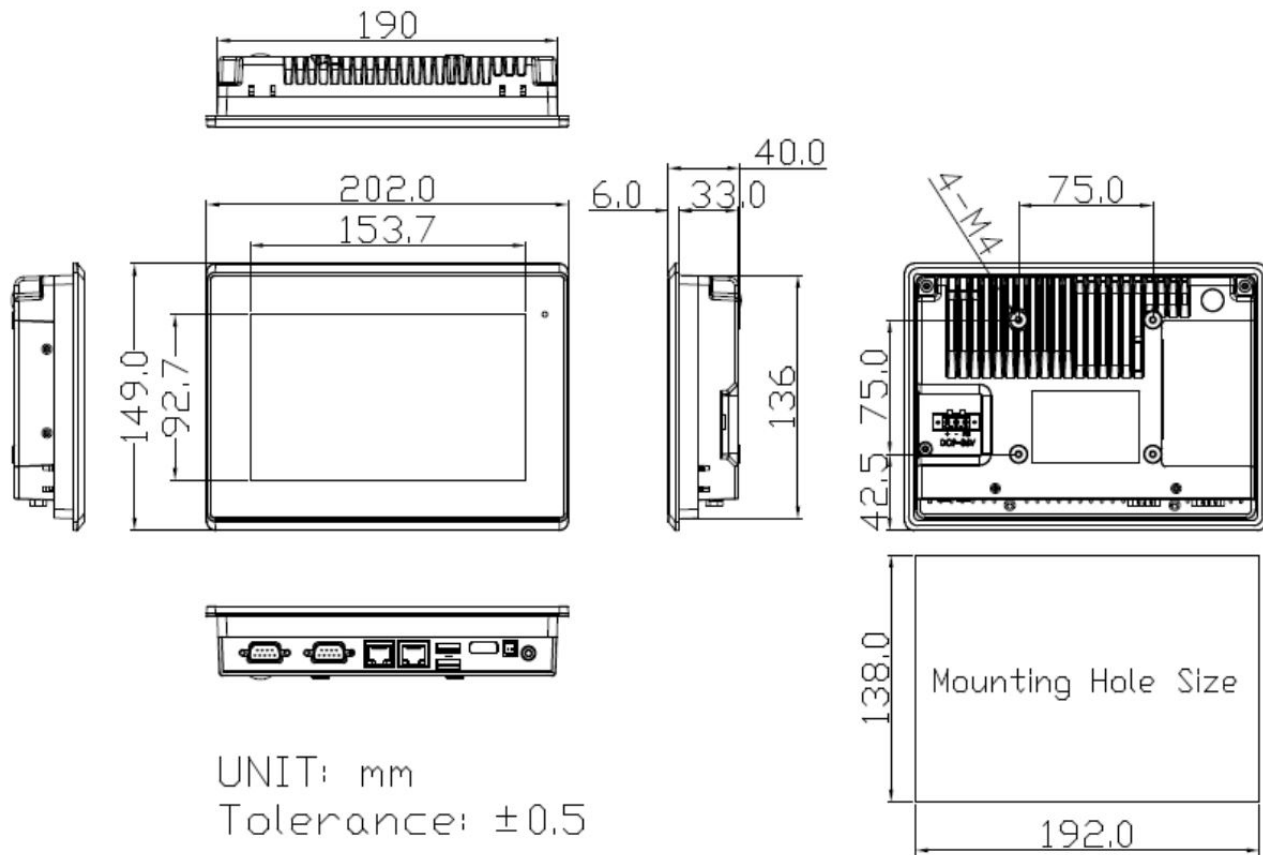
Expansion Slots

Internal Mini PCIe	1x Mini-PCIe
--------------------	--------------

Inputs / Outputs



Technical Drawings



All specifications are subject to change without notice.