



## Features

- 7" LCD with 800 x 480 Resolution
- Solid Aluminum Die Cast Enclosure
- Optional High Brightness 1000 Nit LCD
- Wide Range DC 9~36V Power Input
- IP66 Compliant Front Panel
- Resistive or Projected Capacitive Touchscreen

## Technical Specifications

### Display

Screen Size	7"
Resolution	800 x 480 (WVGA)
Screen Ratio	5:3
Brightness	350 nits, Optional 1000 nit High Brightness
Contrast Ratio	400:1
Viewing Angle	140° (H), 110° (V), 140° (H), 130° (V) High Brightness
Number of Colors Supported	262K

### Touch Screen

Touch Screen	Projected Capacitive, Resistive
Light Transmission	Over 80% (Resistive), Over 90% (P-Cap)
Lifetime Usage	40,000 hrs, 50,000 hrs (High Brightness)

### External I/O ports

USB	1x USB Type B Default (Optional RS-232 DB9)
Video Inputs	1x HDMI, 1x DVI-D, 1x DisplayPort, 1x VGA
Audio	1x 3.5mm Audio Line-Out
Power Input Port	3-Pin DC-In (Phoenix Type)

### Enclosure

Material	Aluminum
Ip Rating	IP66 Front Bezel
Color	Silver
Mounting Options	Panel Mount, VESA Mount
Approved Cleaning Solutions	Acetone, Alcohol, Club Soda, Hydrochloric Acid, Methyl Alcohol, Mineral Spirits, Nitric Acid, Sulfuric Acid (low concentration), Vinegar, Warm Water

Cleaning Instructions [View instructions here](#)

### Dimensions / Weight

Weight	1 KG (2.2 lbs)
Dimensions	202 x 149 x 40 mm (8.0 x 5.9 x 1.6 in)

### Certification

Certifications	CE, FCC Class A
----------------	-----------------

**Power**

Input Voltage Range 9-32V DC  
 Max Power consumption 4.2W  
 Standard Power Adapter Optional 12V AC/DC Adapter

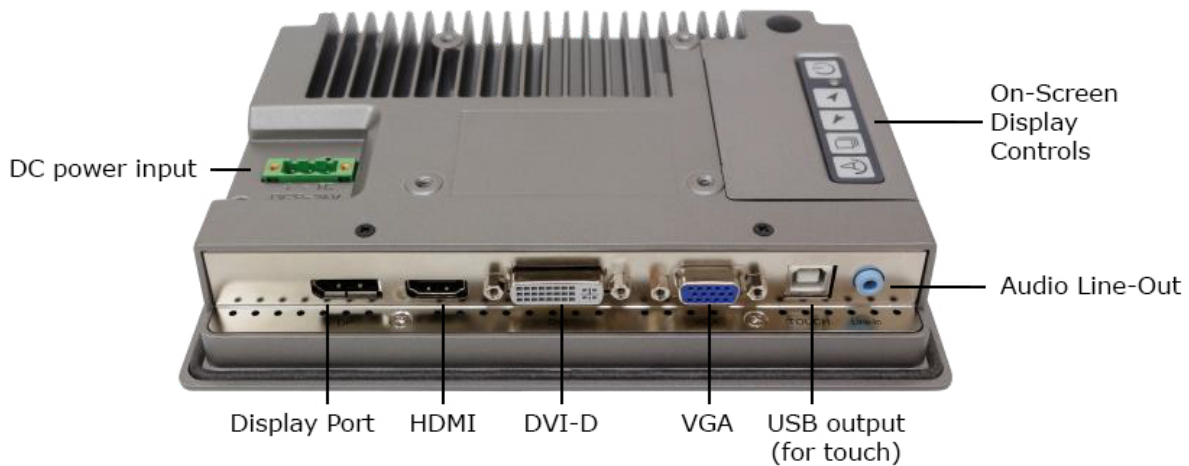
**Warranty**

Warranty Up to 5 Years

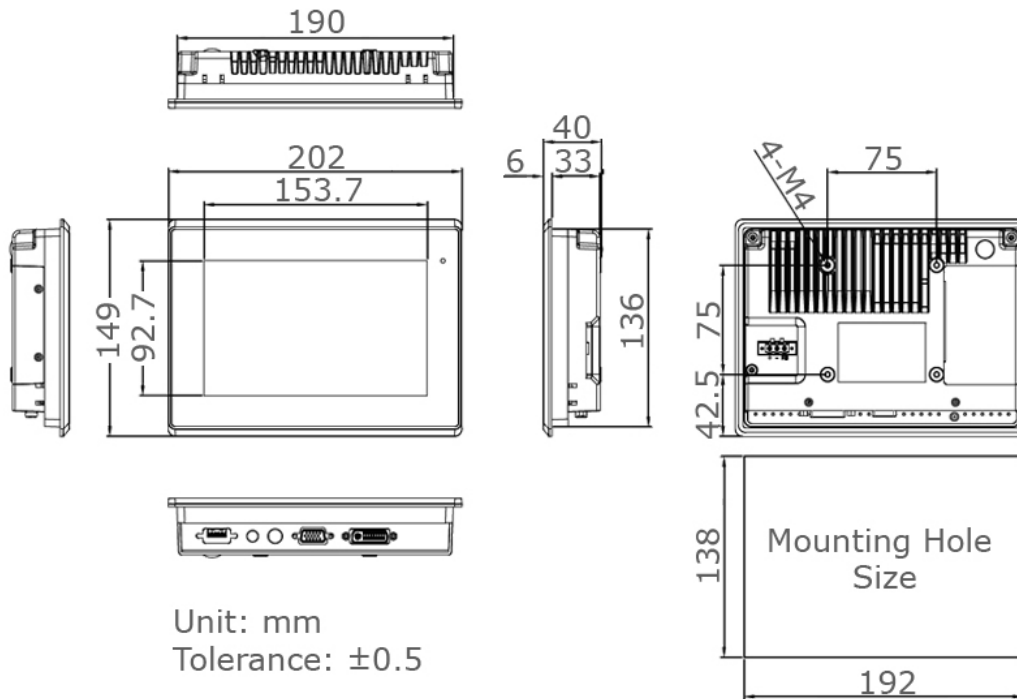
**Thermal and Environmental**

Operating Temperature Array (32°F – 122°F; Optional -4°F – 140°F)  
 Storage Temperature Array (-22°F – 158°F)  
 Storage Humidity 10% – 90% Non-condensing  
 Cooling Solution Passive – Fanless

**Inputs / Outputs**



Technical Drawings



*All specifications are subject to change without notice.*