



## Features

- 7" PCap Multi-Touch Panel PC
- ARM Cortex A9 CPU
- Compact, Durable Design
- Optional Power-over-Ethernet (PoE)
- 2x USB 2.0, 1x Micro USB 2.0

## Technical Specifications

### Primary Components

Processor Family	ARM Cortex A9
Processor Speed	1.0 GHz
Memory Type	Onboard DDR3
Memory Support	1GB
Storage support	8GB

### Display

Screen Size	7"
Resolution	1024 x 600 (WSVGA)
Screen Ratio	16:9
Brightness	300 nits

### Touch Screen

Touch Screen	Projected Capacitive (Multi-touch)
--------------	------------------------------------

### Expansion Slots

### Multimedia

### Thermal and Environmental

Operating Temperature	Array (32°F – 104°F)
Storage Temperature	Array (14°F – 131°F)
Humidity Range	10% – 90% Non-condensing
Cooling Solution	Passive – Fanless

## External I/O ports

USB	2x USB 2.0, 1x Micro USB Port
Serial / Com	2x COM
Serial Protocol Detail	2x RS-232
Ethernet / LAN	1x RJ45 GbE LAN

## Power

Input Voltage Range	12V DC
Max Power consumption	16W
Standard Power Adapter	AC/DC Adapter

## Battery

## Operating Systems

Android	Android 5.X
---------	-------------

## Compatibility

## Enclosure

Material	Plastic
Color	Black
Led Indicator Light	Power
Mounting Options	Panel Mount, VESA Mount
Approved Cleaning Solutions	Acetic Acid (low concentration), Ammonium Nitrate (low concentration), Benzine, Citric Acid (low concentration), Ethanol, Ethylene Glycol Solution (1:1 with water), Hexane, Hydrochloric Acid (low concentration), Iron Chloride Solution, Isooctane, Isopropyl Alcohol, Nitric Acid (low concentration), Paraffin, Perhydrol (30% in water), Phosphoric Acid (low concentration), Propane, Silicone Oil, Sodium Carbonate (low concentration), Sodium Chloride Solution, Sodium Nitrate (low concentration), Sulfuric Acid (low concentration), Triethylene Glycol

Cleaning Instructions [View instructions here](#)

## Peripherals & Wireless Connectivity

WiFi	Optional WiFi 802.11b/g/n
BlueTooth	Optional Bluetooth 4.0

## Dimensions / Weight

Weight	0.5 KG (1.1 lbs)
Dimensions	188 x 26 x 120 mm (7.4 x 1.0 x 4.7 in)

## Certification

Certifications	CE, FCC Class A, RoHS
GMS Certified	No

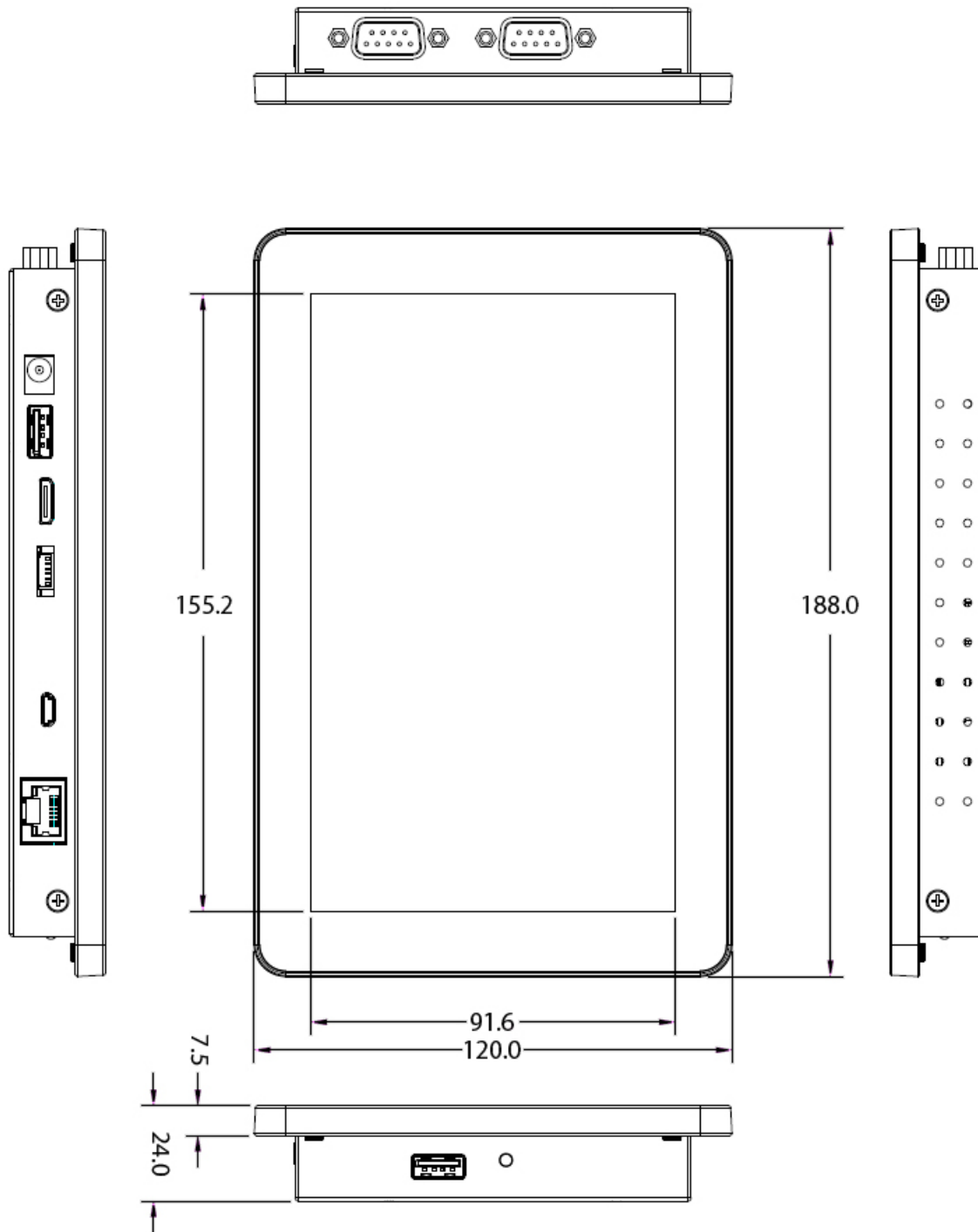
## Warranty

Warranty	Up to 5 Years
----------	---------------

Inputs / Outputs



Technical Drawings



*All specifications are subject to change without notice.*