



Features

- Intel 11th Gen Tiger Lake Core i5/i7 Celeron CPU
- Windows 11 Available Upon Request
- Latest 4th Edition 60601 Medical Certifications
- Lightweight, Ultra-thin Design w/ Antimicrobial Housing
- High-Speed NVMe SSD Storage
- Convenient & easily-accessible USB port on side
- WiFi 6 Enabled

Technical Specifications

General

Main Category	Medical Computer
Featured Product	yes

Primary Components

Processor Family	Intel Core I series 11th Generation Tiger Lake
Processor Model	Core i5 1145G7E, Core i7-1185G7E
Processor Speed	Up to 2.8 GHz
Memory Type	2x DDR4 SO-DIMM
Memory Support	4GB, 8GB, 16GB, 32GB, 64GB
Storage type	2x NVMe SSD M.2 2280
Storage support	256GB (Standard), up to 1TB (Optional)

Display

Screen Size	21.5"
Resolution	1920 x 1080 (Full HD)
Screen Ratio	16:9
Brightness	500 nits
Contrast Ratio	1000:1
Viewing Angle	178° (H), 178° (V)
Number of Colors Supported	16.7M

Expansion Slots

Internal M.2	1x M.2
Other	Dual RFID & Dual SmartCard

Multimedia

Speakers	2x 3W Speakers
Camera	Standard
Microphone	2x Built-in Microphones

Thermal and Environmental

Operating Temperature	Array (32°F – 104°F)
Storage Temperature	Array (14°F – 131°F)
Cooling Solution	Passive – Fanless

Touch Screen

Touch Screen	Projected Capacitive (Multi-touch)
--------------	------------------------------------

External I/O ports

USB	5x USB 2.0, 4x USB 3.2
Serial / Com	4x COM
Serial Protocol Detail	4x RS232 (RJ48)
Ethernet / LAN	2x RJ45 GbE LAN
Video Outputs	1x HDMI
Audio	1x 3.5mm Headphone Jack

Power

Input Voltage Range	19V DC
Standard Power Adapter	4.74 Amp AC/DC Adapter

Battery

Type	Optional Internal Battery
Operating Time	2hrs
Quantity	1x Optional Battery

Operating Systems

Windows	Windows 11, Windows 10 IoT, Windows 10 Pro
---------	--

Compatibility

Security Hardware	TPM 2.0
-------------------	---------

Enclosure

Material	Plastic
Ip Rating	IP65 Front Bezel
Color	White
Antibacterial Housing	Yes
Control Buttons	Display on/off, On-Screen Display (OSD), Power Button
Mounting Options	VESA 100 Mount, VESA 75 Mount

Peripherals & Wireless Connectivity

WiFi	Wifi 802.11 a/b/g/n/ac/ax WIFI 6
BlueTooth	Bluetooth 5.2
RFID	Optional Dual RFID (LF/HF)
Smartcard Reader	Optional Dual Smart Card Reader
Peripheral Other	Reading Lights, Camera Privacy Latch

Dimensions / Weight

Weight	5.8 KG (12.8 lbs)
Dimensions	529.8 x 346.7 x 45 mm (20.9 x 13.6 x 1.8 in)

Certification

Certifications	60601-1 4th Edition, FCC Class B, ITE 62368, EN 55011:2016+A2:2021 (RF), IEC 61000-3-2 (EMC), IEC 61000-3-3 (EMC)
----------------	---

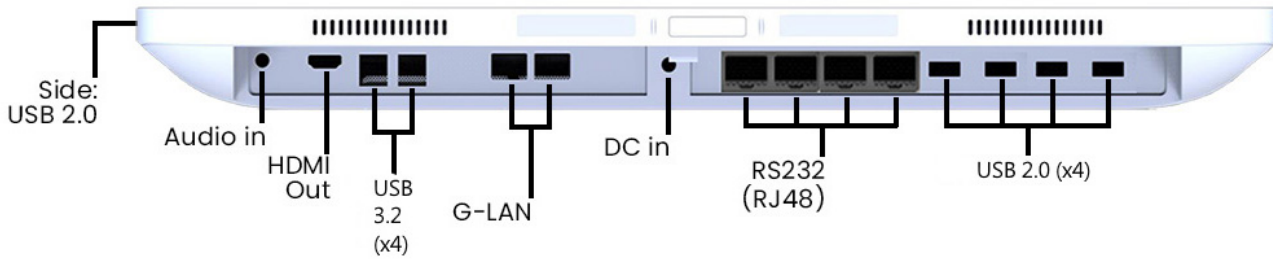
Warranty

Warranty	Up to 5 Years
----------	---------------

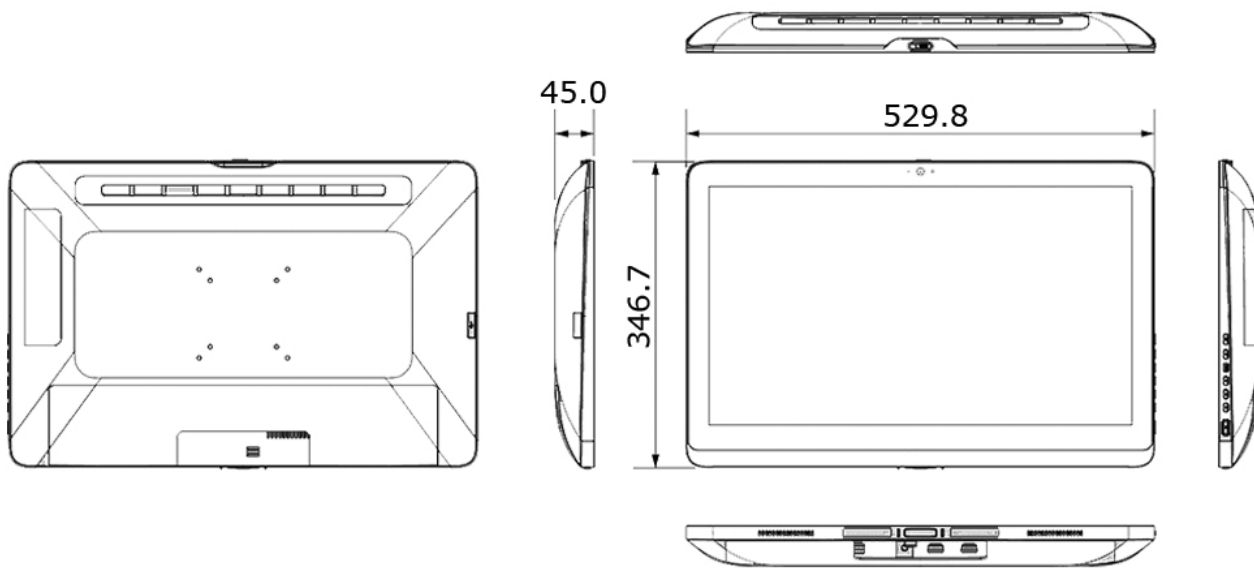
Filters

Main Category Filter	Medical Computer
----------------------	------------------

Inputs / Outputs



Technical Drawings



All specifications are subject to change without notice.