



Features

- 21.5" Widescreen LCD
- Intel Core i5 Dual-Core CPU
- Sealed I/O Design for Standard Cables
- Resistive or P-Cap Touch
- IP66 & IP69K (Optional IP67) Rated Enclosure

Technical Specifications

Primary Components

Processor Family	Intel Core I series 6th Generation Skylake
Processor Model	Core i5-6200U
Processor Speed	2.3 GHz
Memory Type	2x DDR4 SO-DIMM
Memory Support	4GB, 8GB, 16GB, 32GB
Storage type	1x 2.5" SATA Drive Bay for SSD/HDD
Storage support	32GB-1TB

Display

Screen Size	21.5"
Resolution	1920 x 1080 (Full HD)
Screen Ratio	16:9
Brightness	250 nits, Optional 1000 nit High Brightness
Contrast Ratio	1000:1
Viewing Angle	170° (H), 160° (V)
Number of Colors Supported	16.7M

Multimedia

Speakers	Optional Speaker
----------	------------------

Thermal and Environmental

Operating Temperature	Array (32°F – 104°F)
Storage Temperature	Array (-4°F – 140°F)
Humidity Range	10% – 90% Non-condensing
Storage Humidity	10% – 90% Non-condensing
Cooling Solution	Passive – Fanless

Touch Screen

Touch Screen	Projected Capacitive, Resistive
Light Transmission	80±5%
Hardness	4H

Enclosure

Material	Optional SUS316 Stainless Steel, SUS304 Stainless Steel
Ip Rating	IP66, Optional IP67, IP69K
Color	Stainless Steel
Control Buttons	Power Button
Mounting Options	Table Mount, VESA 100 Mount, Wall Mount
Approved Cleaning Solutions	Acetic Acid (low concentration), Ammonium Nitrate (low concentration), Benzine, Citric Acid (low concentration), Ethanol, Ethylene Glycol Solution (1:1 with water), Hexane, Hydrochloric Acid (low concentration), Iron Chloride Solution, Isooctane, Isopropyl Alcohol, Nitric Acid (low concentration), Paraffin, Perhydrol (30% in water), Phosphoric Acid (low concentration), Propane, Silicone Oil, Sodium Carbonate (low concentration), Sodium Chloride Solution, Sodium Nitrate (low concentration), Sulfuric Acid (low concentration), Triethylene Glycol

Cleaning Instructions [View instructions here](#)

External I/O ports

USB	4x USB 3.0
Serial / Com	3x COM
Serial Protocol Detail	2x RS-232, 1x RS-232/422/485 (RS485 supports auto flow control, Jumperless configuration in BIOS)
Ethernet / LAN	2x RJ45 GbE LAN
Video Outputs	2x DisplayPort
Audio	1x Audio Line-Out
Power Input Port	M12 type 5-PIN DC-in

Peripherals & Wireless Connectivity

WiFi	Optional WiFi + Bluetooth Flat Antenna Kit
Barcode Scanner	Optional 1D/2D Barcode Scanner

Power

Input Voltage Range	7-32V DC
Max Power consumption	58.9W
Standard Power Adapter	AC 100 ~ 240V / 47 ~ 63 Hz / DC Output 12V, IP68, AC Cable 2130MM

Dimensions / Weight

Weight	17.1 KG (37.7 lbs)
Dimensions	557 x 358.5 x 105 mm (21.9 x 14.1 x 4.1 in)

Operating Systems

Windows	Windows 10 IoT, Windows 10 Pro, Windows 7 Pro
---------	---

Certification

Certifications	CE, FCC, VCCI Class B
----------------	-----------------------

Compatibility

Security Hardware	Optional TPM 2.0
-------------------	------------------

Warranty

Warranty	Up to 5 Years
----------	---------------

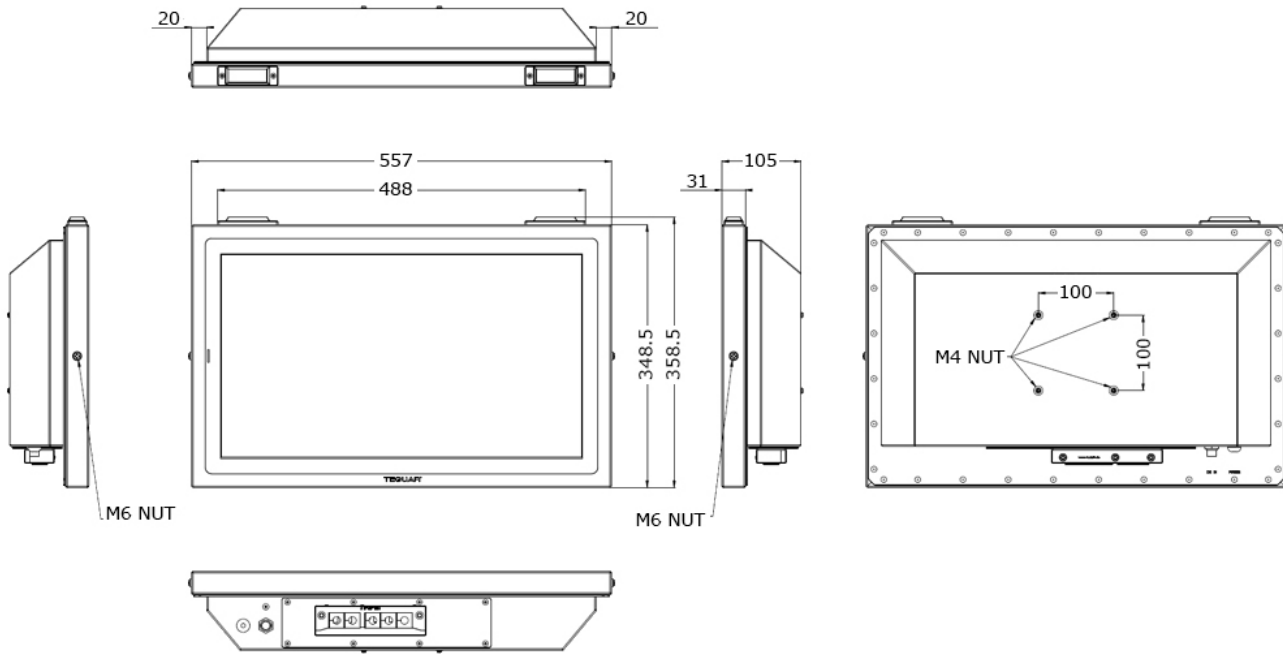
Expansion Slots

Internal Mini PCIe	1x Mini-PCIe
Internal M.2	1x M.2 Type E

Inputs / Outputs



Technical Drawings



All specifications are subject to change without notice.