



## Features

- 21.5" Flat Front Waterproof Touchscreen
- Intel 6th Gen. Core i3/i5 CPU
- Wide Range DC 9~36V Power Input
- IP66/IP69K Compliant Front Bezel
- Aluminum Back Cover and Fanless Design

## Technical Specifications

### Primary Components

Processor Family	Intel Core I series 6th Generation Skylake
Processor Model	Core i3-6100U
Processor Speed	2.3 GHz
Memory Type	1x DDR4 SO-DIMM
Memory Support	4GB, 8GB, 16GB
Storage type	1x 2.5" SATA Drive Bay for SSD/HDD (easily accessible)
Storage support	32GB-1TB

### Display

Screen Size	21.5"
Resolution	1920 x 1080 (Full HD)
Screen Ratio	16:9
Brightness	250 nits, Optional 1000 nit High Brightness
Contrast Ratio	3000:1
Viewing Angle	178° (H), 178° (V)
Number of Colors Supported	16.7M

### Expansion Slots

Internal Mini PCIe	1x Mini-PCIe
SD card	1x Full Size SD Slot

### Thermal and Environmental

Operating Temperature	Array (32°F – 122°F (Standard), 32°F – 104°F (With High Bright LCD))
Storage Temperature	Array (-4°F – 140°F)
Storage Humidity	10% – 90% Non-condensing
Cooling Solution	Passive – Fanless

## Touch Screen

Touch Screen	Projected Capacitive, Resistive
Light Transmission	Over 80% (Resistive), Over 90% (P-Cap)
Lifetime Usage	30,000 hrs, 50,000 hrs (High Brightness)

## External I/O ports

USB	2x USB 3.0
Serial / Com	2x COM
Serial Protocol Detail	1x RS-232/422/485 DB-9, default RS-232(COM1), 1x RS-232 DB-9(COM2)
Ethernet / LAN	2x RJ45 GbE LAN
Video Outputs	1x Optional HDMI
Audio	1x Audio Line-Out
Power Input Port	3-Pin DC-In (Phoenix Type)

## Power

Input Voltage Range	9-36V DC
Max Power consumption	53W
Standard Power Adapter	Optional 12V AC/DC Adapter

## Enclosure

Material	Aluminum, SUS304 Stainless Steel, Optional SUS316 Stainless Steel
Ip Rating	IP66 Front Bezel, IP69K Front Bezel
Mounting Options	Panel Mount, VESA 100 Mount
Approved Cleaning Solutions	Acetic Acid (low concentration), Ammonium Nitrate (low concentration), Benzine, Citric Acid (low concentration), Ethanol, Ethylene Glycol Solution (1:1 with water), Hexane, Hydrochloric Acid (low concentration), Iron Chloride Solution, Isooctane, Isopropyl Alcohol, Nitric Acid (low concentration), Paraffin, Perhydrol (30% in water), Phosphoric Acid (low concentration), Propane, Silicone Oil, Sodium Carbonate (low concentration), Sodium Chloride Solution, Sodium Nitrate (low concentration), Sulfuric Acid (low concentration), Triethylene Glycol

Cleaning Instructions [View instructions here](#)

## Peripherals & Wireless Connectivity

WiFi	WiFi
------	------

## Dimensions / Weight

Weight	7.8 KG (17.2 lbs)
Dimensions	573.8 x 378.8 x 59.8 mm (22.6 x 14.9 x 2.4 in)

**Operating Systems**

Windows Windows 10 IoT, Windows 10 Pro, Windows 7 Pro

**Certification**

Certifications CE, EN 1672-2 Complaint (PCAP Touchscreen Only), FCC Class A

**Compatibility**

Security Hardware TPM 2.0

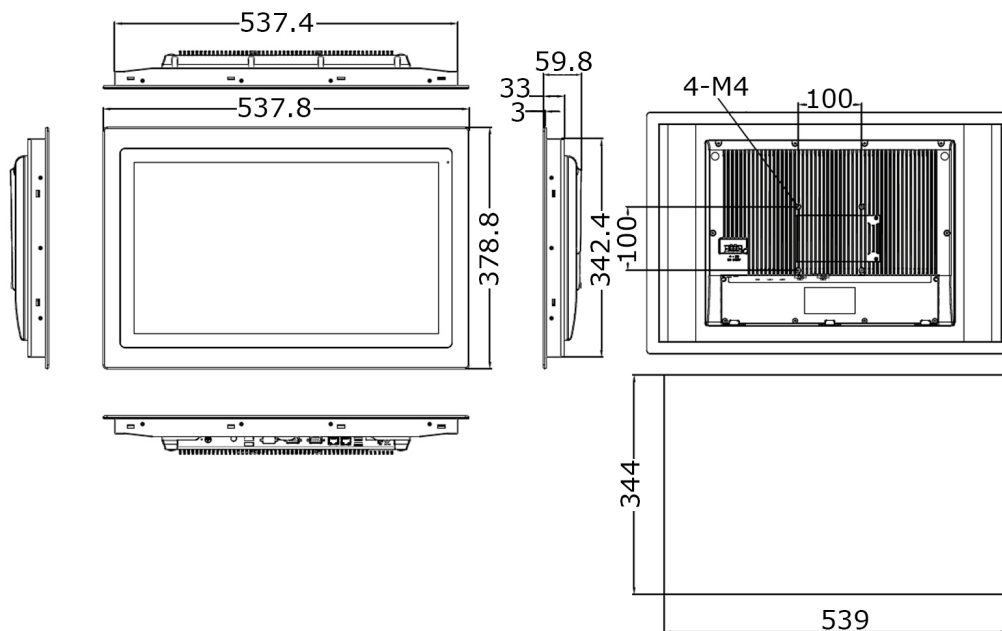
**Warranty**

Warranty Up to 5 Years

**Inputs / Outputs**



**Technical Drawings**



*All specifications are subject to change without notice.*