



Features

- 22" Widescreen Touchscreen
- 6th Gen Intel Core i3/i5/i7 CPU
- Full IP66 and IP69K with Optional IP67
- Flat Wireless BT/WiFi Antenna
- Optional Barcode Reader and Speakers (MOQ)

Technical Specifications

Primary Components

Processor Family	Intel Core I series 6th Generation Skylake
Processor Model	Core i5-6200U
Processor Speed	2.3 GHz
Memory Type	2x DDR4 SO-DIMM
Memory Support	4GB, 8GB, 16GB, 32GB
Storage type	1x 2.5" SATA Drive Bay for SSD/HDD
Storage support	32GB-1TB

Display

Screen Size	21.5"
Resolution	1920 x 1080 (Full HD)
Screen Ratio	16:9
Brightness	250 nits, Optional 1000 nit High Brightness
Contrast Ratio	1000:1
Viewing Angle	170° (H), 160° (V)
Number of Colors Supported	16.7M

Touch Screen

Touch Screen	Projected Capacitive, Resistive
Light Transmission	80±5%
Hardness	4H

Multimedia

Speakers	Optional Speaker
----------	------------------

Thermal and Environmental

Operating Temperature	Array (32°F – 104°F)
Storage Temperature	Array (-4°F – 140°F)
Humidity Range	10% – 90% Non-condensing
Storage Humidity	10% – 90% Non-condensing
Cooling Solution	Passive – Fanless

Enclosure

Material	SUS304 Stainless Steel, Optional SUS316 Stainless Steel
Ip Rating	IP66, IP69K, NEMA 4X, Optional IP67
Control Buttons	Power Button
Mounting Options	Table Mount, VESA 100 Mount, Wall Mount
Cleaning Instructions	View instructions here

External I/O ports

USB	2x M12 8Pin for USB 1/2 and USB 3/4
Serial / Com	2x M12 8-pin for COM
Serial Protocol Detail	RS-232
Ethernet / LAN	1x M12 8pin RJ45 Gbe LAN
Power Input Port	M12 type 5-PIN DC-in

Power

Input Voltage Range	7-32V DC
Max Power consumption	70.4W
Standard Power Adapter	AC 90 ~ 264V / 47 ~ 63 Hz / DC output 12V IP67(LV6)

Operating Systems

Windows	Windows 10 IoT, Windows 10 Pro, Windows 7 Pro
---------	-----------------------------------------------

Compatibility

Security Hardware	Optional TPM 2.0
-------------------	------------------

Expansion Slots

Internal Mini PCIe	2x Mini-PCIe
Internal M.2	1x M.2 Type E

Peripherals & Wireless Connectivity

WiFi	WiFi + Bluetooth Flat Antenna Kit
Barcode Scanner	Optional 1D/2D Barcode Scanner

Dimensions / Weight

Weight	12 KG (26.5 lbs)
Dimensions	557 x 348.5 x 58.5 mm (21.9 x 13.7 x 2.3 in)

Certification

Certifications	CE, FCC, VCCI Class B
----------------	-----------------------

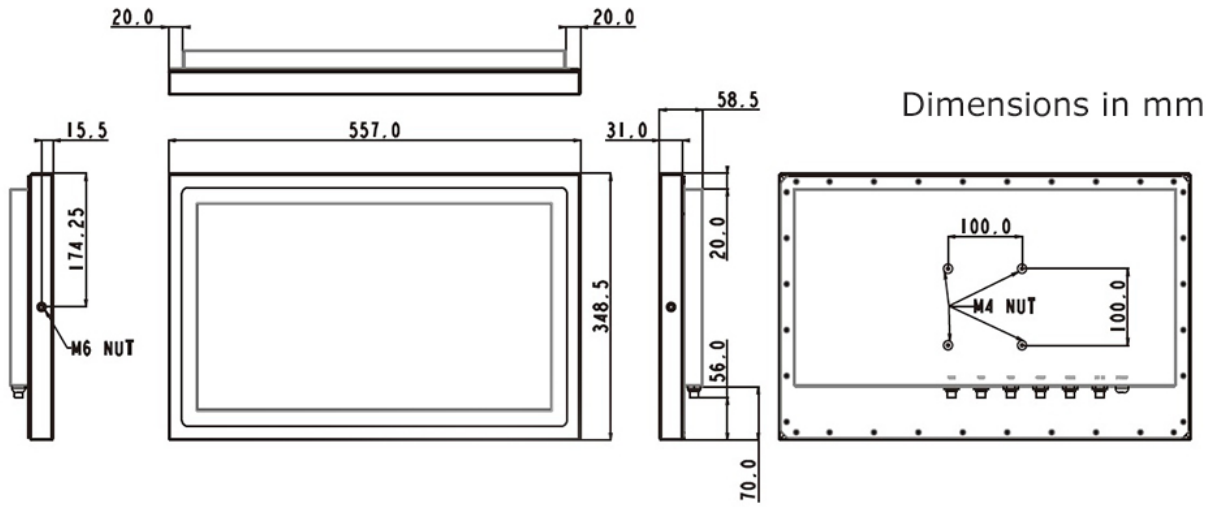
Warranty

Warranty	Up to 5 Years
----------	---------------

Inputs / Outputs



Technical Drawings



All specifications are subject to change without notice.