



Features

- 21.5 " P-Cap Full HD Touch Screen
- 6th Gen Intel Core i3/i5/i7 CPU
- Optional Built-In Battery Pack
- 60601-1 4th Edition Certified
- Supports Intel vPro Hardware Security
- PCI-E Expansion and 4KV Isolation Port Options

Technical Specifications

General

Main Category Medical Computer

Primary Components

Processor Family Intel Core I series 6th Generation Skylake
 Processor Model Core i5-6200
 Processor Speed 2.3 GHz
 Memory Type 2x DDR4 SO-DIMM
 Memory Support 4GB, 8GB, 16GB, 32GB
 Storage type 1x 2.5" SATA Drive Bay for SSD/HDD, mSATA
 Storage support 32GB-1TB

Display

Screen Size 21.5"
 Resolution 1920 x 1080 (Full HD)
 Screen Ratio 16:9
 Brightness 250 nits
 Contrast Ratio 1000:1
 Viewing Angle 170° (H), 160° (V)
 Number of Colors Supported 16.7M

Expansion Slots

Internal Mini PCIe 1x Mini-PCIe
 Internal M.2 1x M.2 Type E
 PCIe Slot Yes
 PCIe Expansion Details 1x PCI-E (x4)
 video card support Intel Integrated HD Graphics 520

Multimedia

Speakers 2x 1.5W Speakers
 Camera Optional 3MP Webcam
 Microphone Optional Microphone built-in to I/O cover

Thermal and Environmental

Operating Temperature Array (32°F – 95°F)
 Storage Temperature Array (-4°F – 140°F)
 Humidity Range 10% – 90% Non-condensing
 Storage Humidity 10% – 90% Non-condensing
 Cooling Solution Passive – Fanless

Touch Screen

Touch Screen	Projected Capacitive (Multi-touch)
Light Transmission	90±3%
Hardness	7H

Enclosure

Material	Plastic
Ip Rating	IP65 Front Bezel
Color	White
Antibacterial Housing	Yes - Tested to ISO 22196 Standard
Led Indicator Light	Battery, HDD Access, Power
Control Buttons	Audio Down, Audio Up, Brightness Down, Brightness Up, Clean me, Display on/off, Power Button
Shock Rating	Operating: 15g/0.53 oz, 11 ms, half sine wave
Vibration Rating	5 – 17 Hz, Amplitude: 0.1
Drop Rating	3ft Drop Protection
Mounting Options	Desktop Stand, VESA Mount, Wall Mount

External I/O ports

USB	4x USB 3.0
Serial / Com	2x COM
Serial Protocol Detail	1x RS-232, 1x RS-232/422/485 (RS485 supports auto flow control)
Ethernet / LAN	2x RJ45 GbE LAN
Video Outputs	2x DisplayPort
Other Ports	4KV Isolation Option is 2x ISO COM, 1x ISO LAN, 1x ISO USB 2.0
Audio	1x Audio Line-Out, 1x 3.5mm Microphone Jack

Power

Max Power consumption	80W
Standard Power Adapter	AC 90V~264V / 47-63 Hz

Battery

Type	Optional Internal Battery
Operating Time	10min
Quantity	1x Optional Battery

Peripherals & Wireless Connectivity

WiFi	Optional 802.11 ac/a/b/g/n WLAN + Bluetooth 4.1 module (M.2)
RFID	Optional RFID reader (13.56Hz) (5V USB)
Smartcard Reader	Optional (by USB or DVD drive or by 2nd HDD)
Peripheral Other	Reading Light

Dimensions / Weight

Weight	7 KG (15.4 lbs)
Dimensions	540 x 375 x 78 mm (21.3 x 14.8 x 3.1 in)

Certification

Certifications	CE, Energy Star 6.1 Compliance, FCC Class B, IEC 62133, VCCI
----------------	--

Operating Systems

Windows Windows 10 IoT, Windows 7 Pro

Warranty

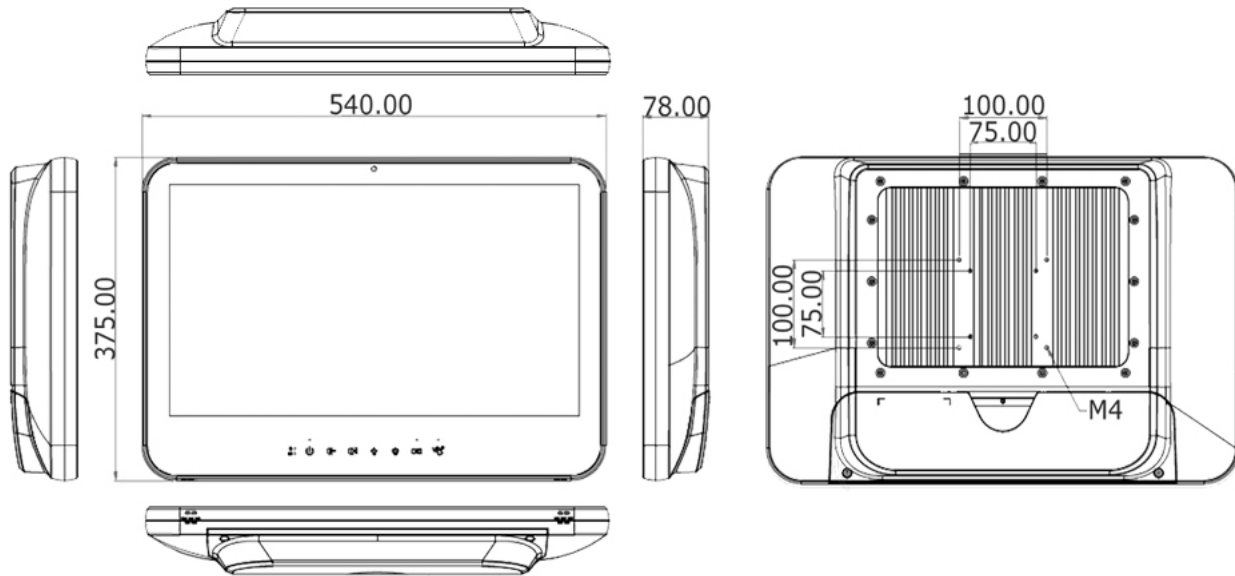
Warranty Up to 5 Years

Compatibility

Security Hardware Supports Intel Vpro

Filters

Inputs / Outputs



Technical Drawings



All specifications are subject to change without notice.