



Features

- 22" P-Cap HD Multi-Touch Screen
- Intel 6th Gen Core i3/i5/i7 CPU
- Optional Built-In Battery Pack
- 60601-1 4th Ed Certified & Anti-bacterial Housing
- Supports Intel vPro Hardware Security
- PCI-E Expansion and 4KV Isolation Port Options

Technical Specifications

Primary Components

Processor Family	Intel Core I series 6th Generation Skylake
Processor Model	Core i5-6200
Processor Speed	2.3 GHz
Memory Type	2x DDR4 SO-DIMM
Memory Support	4GB, 8GB, 16GB, 32GB
Storage type	1x 2.5" SATA Drive Bay for SSD/HDD, mSATA
Storage support	32GB-1TB

Display

Screen Size	21.5"
Resolution	1920 x 1080 (Full HD)
Screen Ratio	16:9
Brightness	250 nits
Contrast Ratio	1000:1
Viewing Angle	170° (H), 160° (V)
Number of Colors Supported	16.7M

Touch Screen

Touch Screen	Projected Capacitive (Multi-touch)
Light Transmission	90±3%
Hardness	7H

Expansion Slots

Internal Mini PCIe	2x Mini-PCIe
PCIe Slot	Yes
PCIe Expansion Details	1x PCI-E (x16)
video card support	Intel Integrated HD Graphics 530

Multimedia

Speakers	2x 1.5W Speakers
Camera	Optional 3.2MP Webcam

Thermal and Environmental

Operating Temperature	Array (32°F – 104°F)
Storage Temperature	Array (-4°F – 140°F)
Humidity Range	10% – 90% Non-condensing
Storage Humidity	10% – 90% Non-condensing
Cooling Solution	Active – with Fan

External I/O ports

USB	4x USB 3.0
Serial / Com	2x COM
Serial Protocol Detail	1x RS-232, 1x RS-232/422/485 (RS485 supports auto flow control, Jumperless configuration in BIOS)
Ethernet / LAN	2x RJ45 GbE LAN
Video Outputs	1x DisplayPort, 1x DVI
Other Ports	4KV Isolation Option is 2x ISO COM, 1x ISO LAN, 1x ISO USB 2.0
Audio	1x 3.5mm Audio Line-Out, 1x 3.5mm Audio Line-In

Power

Max Power consumption	112W
Standard Power Adapter	AC 90V~264V / 47-63 Hz

Battery

Type	Optional Internal Battery
Operating Time	40min
Quantity	1x Optional Battery

Operating Systems

Windows	Windows 10 IoT, Windows 10 Pro, Windows 7 Pro
---------	---

Compatibility

Security Hardware	Optional TPM 2.0, Optional VPro
-------------------	---------------------------------

Enclosure

Material	Plastic
Ip Rating	IP65 Front Bezel
Color	White
Antibacterial Housing	Yes - Tested to ISO 22196 Standard
Led Indicator Light	Battery, HDD Access, Power
Control Buttons	Audio Down, Audio Up, Brightness Down, Brightness Up, Clean me, Display on/off, Power Button
Shock Rating	Operating: 15g/0.53 oz, 11 ms, half sine wave
Vibration Rating	5 – 17 Hz, Amplitude: 0.1
Drop Rating	3ft Drop Protection
Mounting Options	Desktop Stand, VESA Mount, Wall Mount

Peripherals & Wireless Connectivity

WiFi	Optional 802.11 a/b/g/n/AC WLAN module + Optional Bluetooth
RFID	Optional RFID reader (13.56Hz) (5V USB)
Smartcard Reader	Optional (by USB or DVD drive or by 2nd HDD)
Peripheral Other	Reading Light

Dimensions / Weight

Weight	6.5 KG (14.3 lbs)
Dimensions	540 x 375 x 78 mm (21.3 x 14.8 x 3.1 in)

Certification

Certifications	60601-1 4th Edition, CE, FCC Class B, VCCI
----------------	--

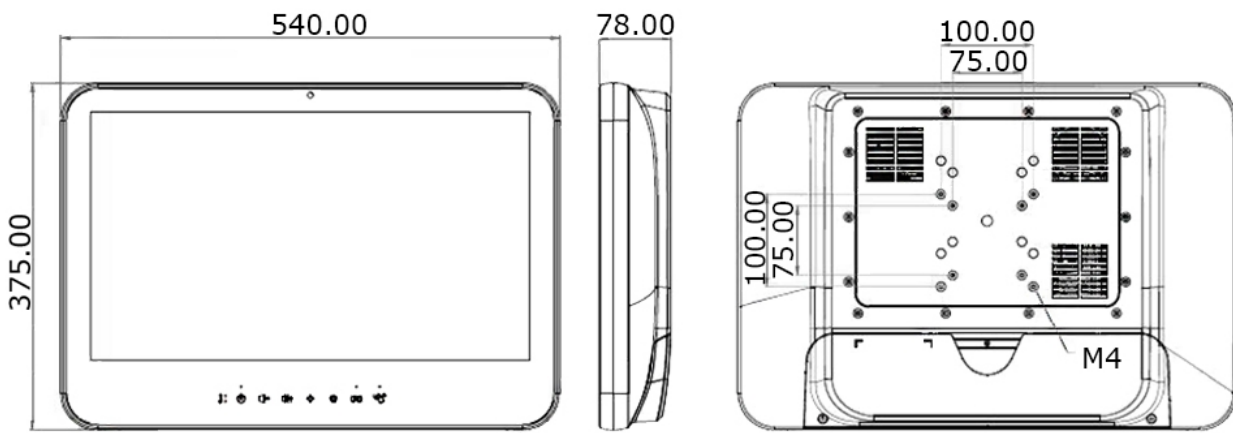
Warranty

Warranty	Up to 5 Years
----------	---------------

Inputs / Outputs



Technical Drawings



All dimensions in mm

All specifications are subject to change without notice.