



Features

- 21.5" Widescreen Touchscreen
- Intel Celeron Quad Core Processor
- Stainless Steel Waterproof Enclosure
- IP67 M12 Metal Connectors and IP68 Power Supply
- IP66/IP69K and NEMA 4X Housing

Technical Specifications

Primary Components

| | |
|------------------|------------------------------------|
| Processor Family | Intel Celeron Bay Trail |
| Processor Model | J1900 Quad Core |
| Processor Speed | 2.0 GHz |
| Memory Type | 2x DDR3L SO-DIMM |
| Memory Support | 2GB, 4GB, 8GB |
| Storage type | 1x 2.5" SATA Drive Bay for SSD/HDD |
| Storage support | 32GB-1TB |

Display

| | |
|----------------|-----------------------|
| Screen Size | 21.5" |
| Resolution | 1920 x 1080 (Full HD) |
| Screen Ratio | 16:9 |
| Brightness | 250 nits |
| Contrast Ratio | 1000:1 |
| Viewing Angle | 170° (H), 160° (V) |

Touch Screen

| | |
|--------------------|------------------|
| Touch Screen | 5 Wire Resistive |
| Light Transmission | 80±5% |
| Hardness | 4H |

Expansion Slots

| | |
|--------------------|--------------|
| Internal Mini PCIe | 2x Mini-PCIe |
|--------------------|--------------|

Thermal and Environmental

| | |
|-----------------------|--------------------------|
| Operating Temperature | Array (32°F – 104°F) |
| Storage Temperature | Array (-4°F – 140°F) |
| Humidity Range | 10% – 90% Non-condensing |
| Storage Humidity | 10% – 90% Non-condensing |
| Cooling Solution | Passive – Fanless |

Enclosure

| | |
|-----------------------|---|
| Material | SUS304 Stainless Steel |
| Ip Rating | IP66, Optional IP67, IP69K, NEMA 4X |
| Mounting Options | Table Mount, VESA 100 Mount, Wall Mount |
| Cleaning Instructions | View instructions here |

External I/O ports

| | |
|------------------------|-------------------------------------|
| USB | 2x M12 8Pin for USB 1/2 and USB 3/4 |
| Serial / Com | 2x M12 8-pin for COM |
| Serial Protocol Detail | RS-232 |
| Ethernet / LAN | 1x M12 8pin RJ45 Gbe LAN |
| Power Input Port | M12 type 5-PIN DC-in |

Power

| | |
|------------------------|--|
| Input Voltage Range | 7-32V DC |
| Max Power consumption | 70.4W |
| Standard Power Adapter | AC 100 ~ 277V / 47 ~ 63 Hz / DC output 24V |

Operating Systems

| | |
|---------|---|
| Windows | Windows 10 IoT, Windows 10 Pro, Windows 7 Pro |
|---------|---|

Compatibility

| | |
|-------------------|------------------|
| Security Hardware | Optional TPM 2.0 |
|-------------------|------------------|

Peripherals & Wireless Connectivity

| | |
|------|---|
| WiFi | Optional Bluetooth kit and WLAN with External Antenna |
|------|---|

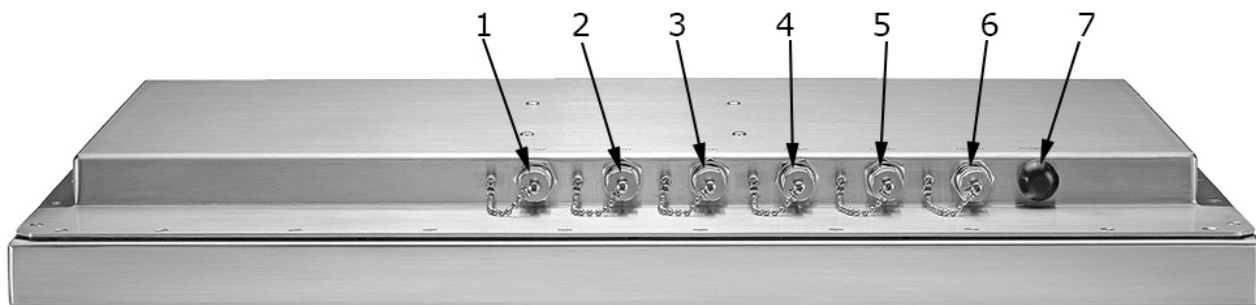
Dimensions / Weight

| | |
|------------|--|
| Weight | 12 KG (26.5 lbs) |
| Dimensions | 557 x 58.5 x 348.5 mm (21.9 x 2.3 x 13.7 in) |

Warranty

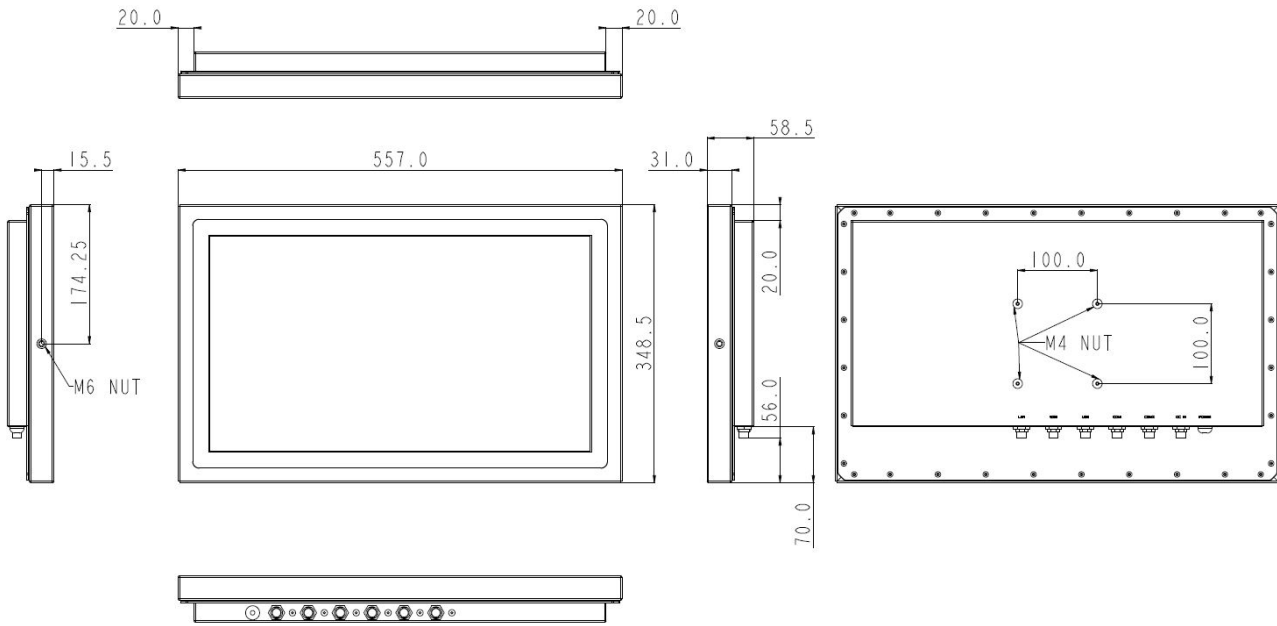
| | |
|----------|---------------|
| Warranty | Up to 5 Years |
|----------|---------------|

Inputs / Outputs



- | | |
|---|----------------------------------|
| 1. M12 8 Pin Connector for LAN | 5. M12 8 Pin Connector for COM 2 |
| 2. M12 8 Pin Connector for Dual USB 2.0 | 6. M12 5 Pin DC Power Connector |
| 3. M12 8 Pin Connector for Dual USB 2.0 | 7. Power Button |
| 4. M12 8 Pin Connector for COM 1 | |

Technical Drawings



All specifications are subject to change without notice.