



## Features

- 21.5" True Flat IP54 Protected Touchscreen
- Intel Skylake Core i3/i5 CPU
- Thin, Attractive, Design with Die-Cast Housing
- Fanless and Low Power Consumption
- Optional Webcam, WLAN, & BT 4.0

## Technical Specifications

### Primary Components

Processor Family	Intel Core I series 6th Generation Skylake
Processor Model	Core- i3-6100U
Processor Speed	2.0 GHz
Memory Type	1x DDR3 SO-DIMM
Memory Support	2GB, 4GB, 8GB
Storage type	1x 2.5" SATA Drive Bay for SSD/HDD
Storage support	32GB-1TB

### Display

Screen Size	21.5"
Resolution	1920 x 1080 (Full HD)
Screen Ratio	16:9
Brightness	250 nits

### Touch Screen

Touch Screen	Projected Capacitive
--------------	----------------------

### Expansion Slots

Internal Mini PCIe	1x Mini-PCIe
--------------------	--------------

### Multimedia

Speakers	2x 2W Speakers
Camera	2MP Webcam

### Thermal and Environmental

Operating Temperature	Array (32°F – 95°F)
Storage Temperature	Array (-4°F – 140°F)
Humidity Range	20% – 85% Non-condensing
Cooling Solution	Passive – Fanless

**External I/O ports**

USB	2x USB 2.0, 4x USB 3.0
Ethernet / LAN	2x RJ45 GbE LAN
Video Outputs	1x VGA, 1x Optional DisplayPort
Audio	1x Audio Line-In, 1x Audio Line-Out
Power Input Port	4-Pole DIN (latching)

**Power**

Input Voltage Range	12-48V DC for Core i5 CPU, 19V only for Core i3 CPU
Standard Power Adapter	120W

**Operating Systems**

Windows	Windows 10 IoT, Windows 10 Pro
---------	--------------------------------

**Compatibility**

Security Hardware	fTPM 2.0, Intel vPro Technology: Intel AMT Supported
-------------------	--

**Enclosure**

Material	Aluminum
Ip Rating	IP54 Front Bezel
Mounting Options	VESA 75 Mount

**Peripherals & Wireless Connectivity**

WiFi	Optional 802.11 b/g/n WLAN card + Bluetooth 4.0
Barcode Scanner	Optional 1D/2D Barcode Scanner
RFID	Optional RFID Module
Smartcard Reader	Optional Smart IC Card Reader

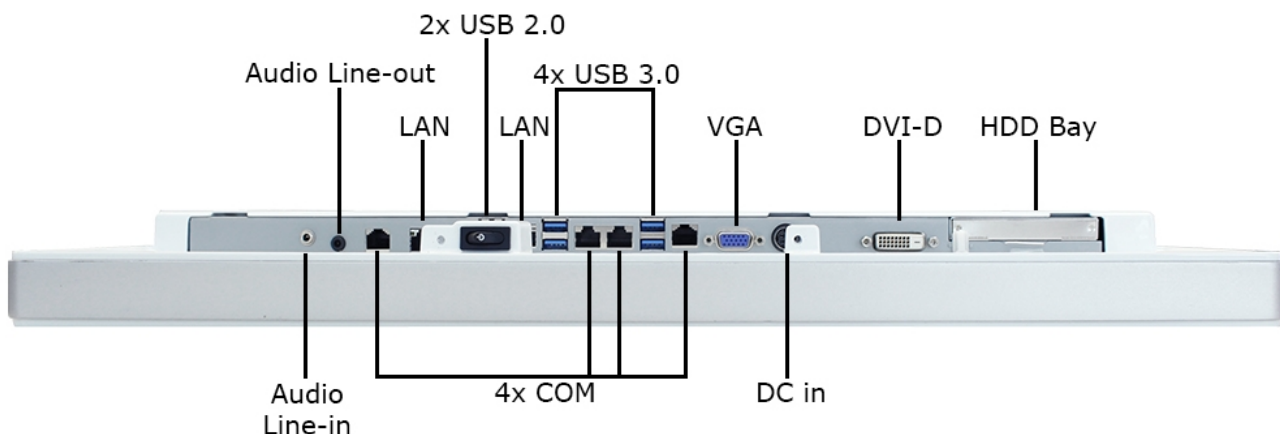
**Dimensions / Weight**

Weight	7.75 KG (17.1 lbs)
Dimensions	536 x 48 x 328 mm (21.1 x 1.9 x 12.9 in)

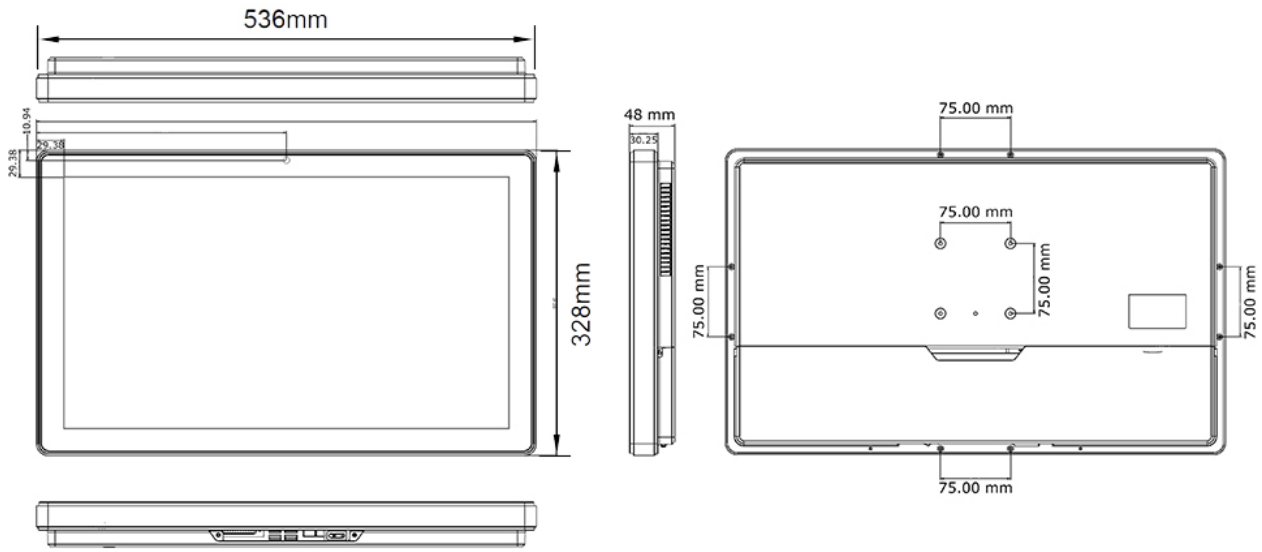
**Warranty**

Warranty	Up to 5 Years
----------	---------------

**Inputs / Outputs**



Technical Drawings



*All specifications are subject to change without notice.*