



## Features

- 21.5" Full HD Display with PCAP Touchscreen
- Intel Celeron J6412 Quad-Core CPU
- Various Mounting Stands
- Modular Design with Removable Box PC
- Customizable and Expandable

## Technical Specifications

### General

Processor Family	Intel Celeron Elkhart Lake
Processor Model	Celeron J6412
Memory Type	1x DDR4 SO-DIMM
Memory Support	4GB, 8GB, 16GB
Storage type	1x M.2 slot for SSD
Storage support	M.2: 128GB-1TB

### Display

Screen Size	21.5"
Resolution	1920 x 1080 (Full HD)
Screen Ratio	16:9
Brightness	300 nits

### Touch Screen

Touch Screen	Projected Capacitive (Multi-touch)
--------------	------------------------------------

### Expansion Slots

Internal M.2	1x M.2 2230 Key E (for WiFi expansion option)
Expansion Module support	4 USB based expansion areas on Bezel

### Multimedia

Speakers	1x 3W Speaker
Camera	Optional Webcam

### Thermal and Environmental

Operating Temperature	0°C – 35°C (32°F – 95°F)
Storage Temperature	-20°C – 60°C (-4°F – 140°F)
Humidity Range	20% – 85% Non-condensing
Cooling Solution	Passive – Fanless

### Enclosure

Material	Plastic
Ip Rating	IP54 Front Bezel
Color	Black
Mounting Options	VESA 100 Mount, VESA 75 Mount

**External I/O ports**

USB	2x USB 2.0, 2x USB 3.0, 2x USB Type C (Data only)
Serial / Com	2x COM
Serial Protocol Detail	x2 RS-232 DB-9
Ethernet / LAN	1x RJ45 GbE LAN
Other Ports	Custom connector for External Monitor
Power Input Port	4-Pole DIN (latching)

**Peripherals & Wireless Connectivity**

WiFi	Optional through M.2 interface
BlueTooth	Optional Bluetooth 5.1
Barcode Scanner	Optional 1D/2D Barcode Scanner
RFID	Optional 13.56 NFC External Module
Peripheral Other	Contact Teguar is you have a customized external Module request

**Power**

Input Voltage Range	19V DC
Standard Power Adapter	65W AC/DC Adapter

**Dimensions / Weight**

Weight	5.4 KG (11.9 lbs)
Dimensions	519 x 311 x 49 mm (20.4 x 12.2 x 1.9 in)

**Battery**

**Certification**

Certifications	CE, FCC
----------------	---------

**Operating Systems**

Windows	Windows 11, Windows 10 IoT, Windows 10 Pro
Linux	Linux (Contact your sales rep for more information)

**Warranty**

Warranty	Up to 5 Years
----------	---------------

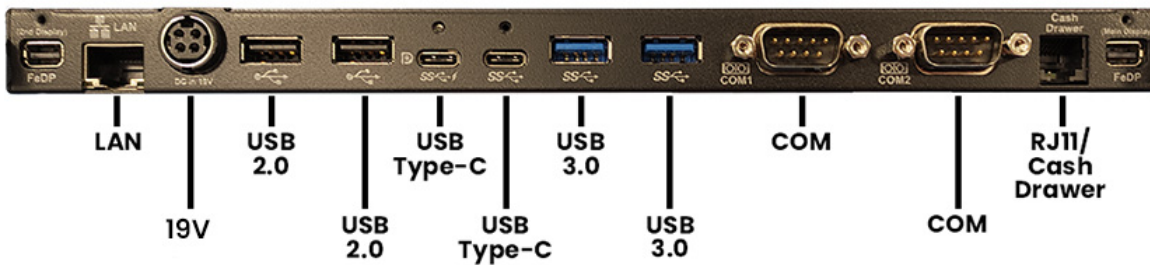
**Compatibility**

Security Hardware	fTPM 2.0
-------------------	----------

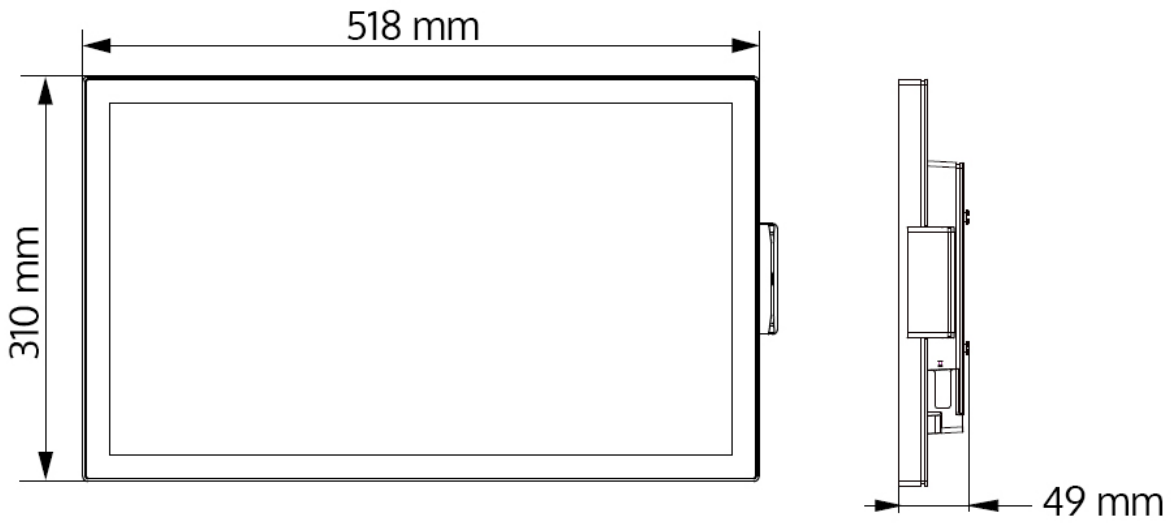
**Filters**

Main Category Filter	Industrial Computer
----------------------	---------------------

**Inputs / Outputs**



Technical Drawings



*All specifications are subject to change without notice.*