



Features

- 19" Projected Capacitive Full Flat Touch Screen
- Intel Skylake Core i3/i5/i7 CPU
- 60601-1 4th Ed Certified & Anti-Bacterial Housing
- Supports Intel vPro Hardware Security
- Optional 4KV LAN/COM/USB Isolated I/Os
- Optional Built-in Battery Pack

Technical Specifications

Primary Components

Processor Family	Intel Core I series 6th Generation Skylake
Processor Model	Core i5-6200
Processor Speed	2.3 GHz
Memory Type	2x DDR4 SO-DIMM
Memory Support	4GB, 8GB, 16GB, 32GB
Storage type	1x 2.5" SATA Drive Bay for SSD/HDD
Storage support	32GB-1TB

Display

Screen Size	19"
Resolution	1280 x 1024 (SXGA)
Screen Ratio	5:4
Brightness	350 nits
Contrast Ratio	1000:1
Viewing Angle	170° (H), 160° (V)
Number of Colors Supported	16.7M

Touch Screen

Touch Screen	Projected Capacitive (Multi-touch)
Light Transmission	90±3%
Hardness	7H

Expansion Slots

Internal Mini PCIe	1x Mini-PCIe
Internal M.2	1x M.2 Type E
PCIe Slot	Yes
PCIe Expansion Details	1x PCI-E (x4), (can't co-exist with isolated module)
video card support	Intel Integrated HD Graphics 520

Multimedia

Speakers	2x 2W Speakers
Camera	Optional 3.2MP Webcam

Thermal and Environmental

Operating Temperature	Array (32°F – 95°F)
Storage Temperature	Array (-4°F – 140°F)
Humidity Range	10% – 90% Non-condensing
Storage Humidity	10% – 90% Non-condensing
Cooling Solution	Passive – Fanless

External I/O ports

USB	4x USB 3.0
Serial / Com	2x COM
Serial Protocol Detail	1x RS-232, 1x RS-232/422/485 (RS485 supports auto flow control, Jumperless configuration in BIOS)
Ethernet / LAN	2x RJ45 GbE LAN
Video Outputs	2x DisplayPort
Other Ports	4KV Isolation Option is 2x ISO COM, 1x ISO LAN, 1x ISO USB 2.0
Audio	1x Audio Line-Out, 1x 3.5mm Microphone Jack

Power

Max Power consumption	88W
Standard Power Adapter	AC 90V~264V / 47-63 Hz

Battery

Type	Optional Internal Battery
Quantity	1x Optional Battery

Operating Systems

Windows	Windows 10 IoT, Windows 10 Pro, Windows 7 Pro
---------	---

Compatibility

Security Hardware	TPM v2.0 (Windows 10 Only)
-------------------	----------------------------

Enclosure

Material	Plastic
Ip Rating	IP65 Front Bezel
Color	White
Antibacterial Housing	Yes - Tested to ISO 22196 Standard
Led Indicator Light	Battery, HDD Access, Power
Control Buttons	Audio Down, Audio Up, Brightness Down, Brightness Up, Clean me, Display on/off, Power Button
Shock Rating	Operating: 11 ms, half sine wave
Vibration Rating	5 – 17 Hz, Amplitude: 0.1
Drop Rating	3ft Drop Protection
Mounting Options	Desktop Stand, VESA Mount, Wall Mount

Peripherals & Wireless Connectivity

WiFi	Optional 802.11 a/b/g/n/AC WLAN module + Optional Bluetooth
RFID	Optional RFID reader (13.56Hz) (5V USB)

Dimensions / Weight

Weight	7.5 KG (16.5 lbs)
Dimensions	450 x 420 x 85.3 mm (17.7 x 16.5 x 3.4 in)

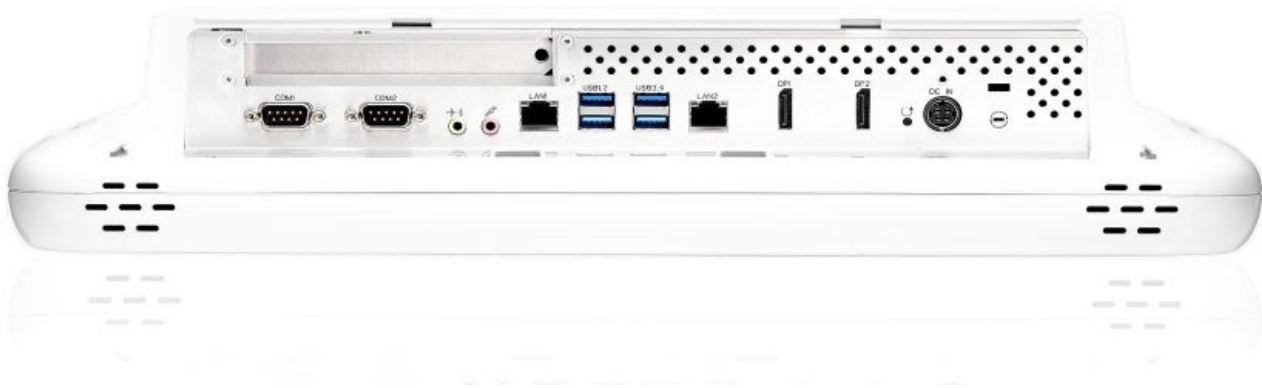
Certification

Certifications	60601-1 4th Edition, CE, FCC Class B, VCCI
----------------	--

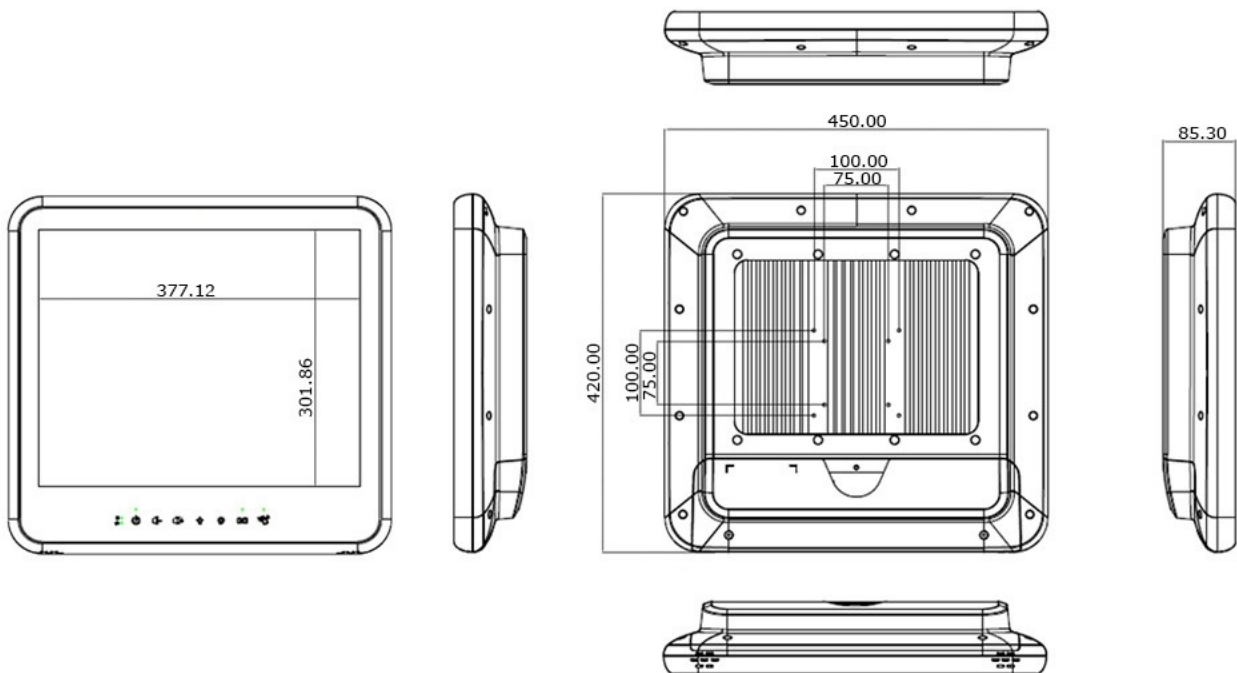
Warranty

Warranty	Up to 5 Years
----------	---------------

Inputs / Outputs



Technical Drawings



All specifications are subject to change without notice.