



Features

- 19" Resistive or PCap Touchscreen
- 6th Gen Intel Core i5 CPU
- Cable Gland for Sealed I/O Connections
- Fully Waterproof, Fanless Design
- IP66, IP69K, Optional IP67

Technical Specifications

Primary Components

| | |
|------------------|--|
| Processor Family | Intel Core I series 6th Generation Skylake |
| Processor Model | Core i5-6200U |
| Processor Speed | 2.3 GHz |
| Memory Type | 2x DDR4 SO-DIMM |
| Memory Support | 4GB, 8GB, 16GB, 32GB |
| Storage type | 1x 2.5" SATA Drive Bay for SSD/HDD |
| Storage support | 32GB-1TB |

Display

| | |
|----------------------------|---|
| Screen Size | 19" |
| Resolution | 1280 x 1024 (SXGA) |
| Screen Ratio | 5:4 |
| Brightness | 350 nits, Optional 1000 nit High Brightness |
| Contrast Ratio | 1000:1 |
| Viewing Angle | 170° (H), 160° (V) |
| Number of Colors Supported | 16.7M |

Multimedia

| | |
|----------|------------------|
| Speakers | Optional Speaker |
|----------|------------------|

Thermal and Environmental

| | |
|-----------------------|--------------------------|
| Operating Temperature | Array (32°F – 104°F) |
| Storage Temperature | Array (-4°F – 140°F) |
| Humidity Range | 10% – 90% Non-condensing |
| Storage Humidity | 10% – 90% Non-condensing |
| Cooling Solution | Passive – Fanless |

Touch Screen

| | |
|--------------------|---------------------------------|
| Touch Screen | Projected Capacitive, Resistive |
| Light Transmission | 80±5% |
| Hardness | 3H |

Enclosure

| | |
|-----------------------------|--|
| Material | Optional SUS316 Stainless Steel, SUS304 Stainless Steel |
| Ip Rating | IP66, Optional IP67, IP69K |
| Color | Stainless Steel |
| Control Buttons | Power Button |
| Mounting Options | Table Mount, VESA 100 Mount, Wall Mount |
| Approved Cleaning Solutions | Acetic Acid (low concentration), Ammonium Nitrate (low concentration), Benzine, Citric Acid (low concentration), Ethanol, Ethylene Glycol Solution (1:1 with water), Hexane, Hydrochloric Acid (low concentration), Iron Chloride Solution, Isooctane, Isopropyl Alcohol, Nitric Acid (low concentration), Paraffin, Perhydrol (30% in water), Phosphoric Acid (low concentration), Propane, Silicone Oil, Sodium Carbonate (low concentration), Sodium Chloride Solution, Sodium Nitrate (low concentration), Sulfuric Acid (low concentration), Triethylene Glycol |

Cleaning Instructions [View instructions here](#)

External I/O ports

| | |
|------------------------|---|
| USB | 4x USB 3.0 |
| Serial / Com | 3x COM |
| Serial Protocol Detail | 2x RS-232, 1x RS-232/422/485 (RS485 supports auto flow control, Jumperless configuration in BIOS) |
| Ethernet / LAN | 2x RJ45 GbE LAN |
| Video Outputs | 2x DisplayPort |
| Audio | 1x Audio Line-Out |
| Power Input Port | M12 type 5-PIN DC-in |

Peripherals & Wireless Connectivity

| | |
|-----------------|--|
| WiFi | Optional WiFi + Bluetooth Flat Antenna Kit |
| Barcode Scanner | Optional 1D/2D Barcode Scanner |

Power

| | |
|------------------------|---|
| Input Voltage Range | 7-32V DC |
| Max Power consumption | 69.2W |
| Standard Power Adapter | AC 100 ~ 240V / 47 ~ 63 Hz / DC Output 12V, IP68, AC Cable 2130MM |

Dimensions / Weight

| | |
|------------|---|
| Weight | 16.3 KG (35.9 lbs) |
| Dimensions | 458 x 396 x 105 mm (18.0 x 15.6 x 4.1 in) |

Operating Systems

| | |
|---------|---|
| Windows | Windows 10 IoT, Windows 10 Pro, Windows 7 Pro |
|---------|---|

Certification

| | |
|----------------|-----------------------|
| Certifications | CE, FCC, VCCI Class B |
|----------------|-----------------------|

Compatibility

| | |
|-------------------|------------------|
| Security Hardware | Optional TPM 2.0 |
|-------------------|------------------|

Warranty

| | |
|----------|---------------|
| Warranty | Up to 5 Years |
|----------|---------------|

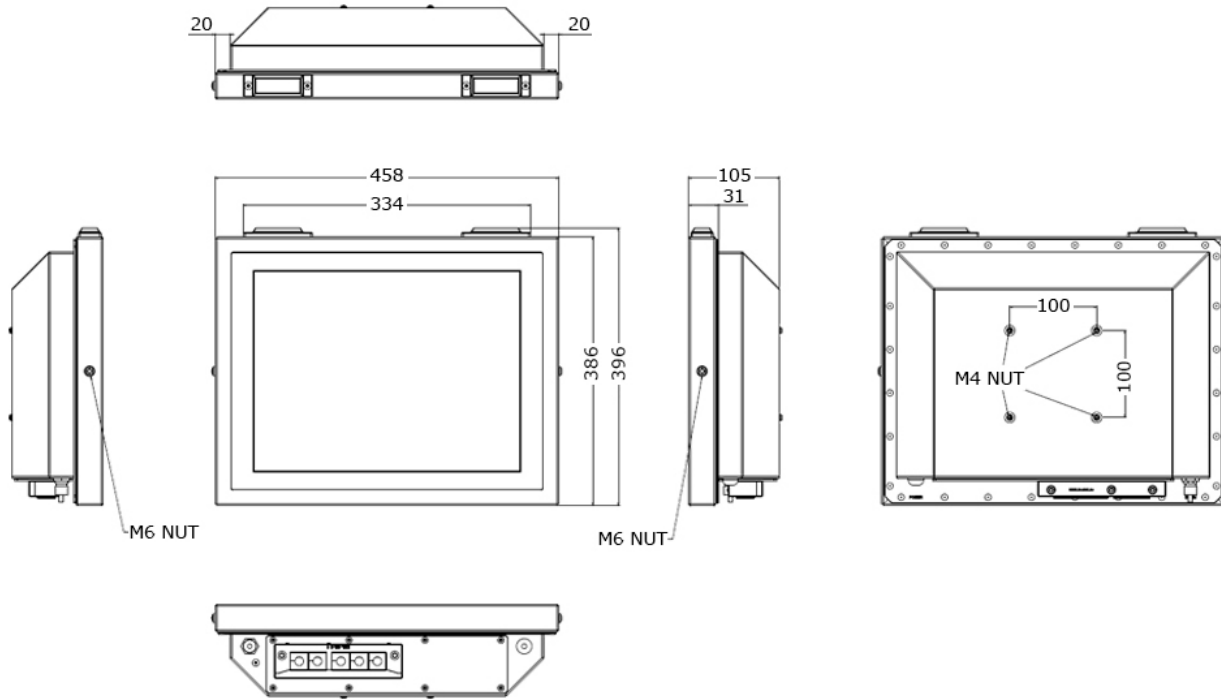
Expansion Slots

| | |
|--------------------|---------------|
| Internal Mini PCIe | 1x Mini-PCIe |
| Internal M.2 | 1x M.2 Type E |

Inputs / Outputs



Technical Drawings



All specifications are subject to change without notice.