



## Features

- 19" Resistive or P-Cap Touchscreen
- Intel Celeron Processor
- Sealed I/O Conduit for Standard Cables
- Flat Wireless WiFi/BT Antenna
- IP66, IP69K, Optional IP67

## Technical Specifications

### Primary Components

Processor Family	Intel Celeron Bay Trail
Processor Model	J1900 Quad Core
Processor Speed	2.0 GHz
Memory Type	2x DDR3L SO-DIMM
Memory Support	2GB, 4GB, 8GB
Storage type	1x 2.5" SATA Drive Bay for SSD/HDD
Storage support	32GB-1TB

### Display

Screen Size	19"
Resolution	1280 x 1024 (SXGA)
Screen Ratio	5:4
Brightness	350 nits, Optional 1000 nit High Brightness
Contrast Ratio	1000:1
Viewing Angle	170° (H), 160° (V)
Number of Colors Supported	16.7M

### Multimedia

Speakers	Optional Speaker
----------	------------------

### Thermal and Environmental

Operating Temperature	Array (32°F – 104°F)
Storage Temperature	Array (-4°F – 140°F)
Humidity Range	10% – 90% Non-condensing
Storage Humidity	10% – 90% Non-condensing
Cooling Solution	Passive – Fanless

### Touch Screen

Touch Screen	Projected Capacitive, Resistive
Light Transmission	80±5%
Hardness	3H

### Enclosure

Material	Optional SUS316 Stainless Steel, SUS304 Stainless Steel
Ip Rating	IP66, Optional IP67, IP69K
Color	Stainless Steel
Control Buttons	Power Button
Mounting Options	Table Mount, VESA 100 Mount, Wall Mount
Approved Cleaning Solutions	Acetic Acid (low concentration), Ammonium Nitrate (low concentration), Benzine, Citric Acid (low concentration), Ethanol, Ethylene Glycol Solution (1:1 with water), Hexane, Hydrochloric Acid (low concentration), Iron Chloride Solution, Isooctane, Isopropyl Alcohol, Nitric Acid (low concentration), Paraffin, Perhydrol (30% in water), Phosphoric Acid (low concentration), Propane, Silicone Oil, Sodium Carbonate (low concentration), Sodium Chloride Solution, Sodium Nitrate (low concentration), Sulfuric Acid (low concentration), Triethylene Glycol

Cleaning Instructions [View instructions here](#)

### External I/O ports

USB	3x USB 2.0, 1x USB 3.0
Serial / Com	2x COM
Serial Protocol Detail	1x RS-232, 1x RS-232/422/485 (RS485 supports auto flow control, Jumperless configuration in BIOS)
Ethernet / LAN	2x RJ45 GbE LAN
Video Outputs	1x DVI-I
Audio	1x Audio Line-Out
Power Input Port	M12 type 5-PIN DC-in

### Peripherals & Wireless Connectivity

WiFi	Optional WiFi + Bluetooth Flat Antenna Kit
Barcode Scanner	Optional 1D/2D Barcode Scanner

**Power**

Input Voltage Range 7-32V DC  
Max Power 40.2W  
consumption  
Standard Power AC 100 ~ 277V / 47 ~ 63 Hz /  
Adapter DC Output 12V, IP68, AC  
Cable 2130MM

**Dimensions / Weight**

Weight 15.4 KG (34.0 lbs)  
Dimensions 458 x 396 x 105 mm (18.0 x  
15.6 x 4.1 in)

**Operating Systems**

Windows Windows 10 IoT, Windows 10  
Pro, Windows 7 Pro

**Certification**

Certifications CE, FCC, VCCI Class B

**Compatibility**

Security Hardware Optional TPM 2.0

**Warranty**

Warranty Up to 5 Years

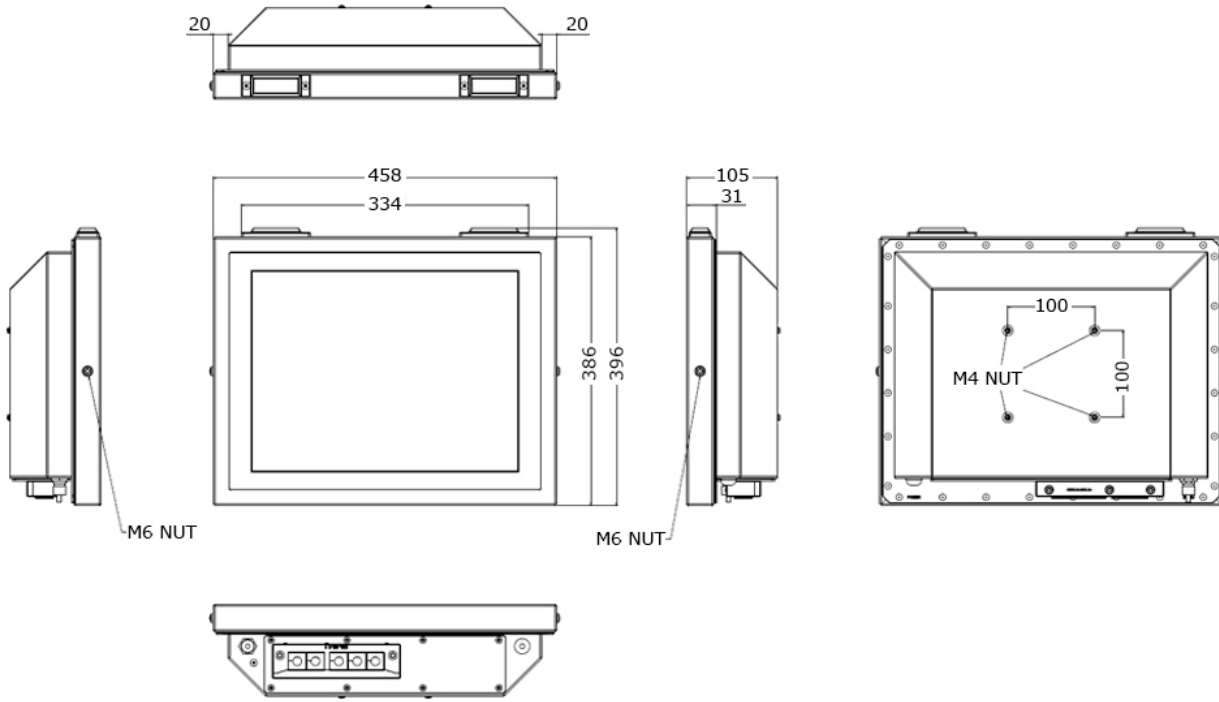
**Expansion Slots**

Internal Mini PCIe 1x Mini-PCIe  
Internal M.2 1x M.2 Type E

**Inputs / Outputs**



Technical Drawings



*All specifications are subject to change without notice.*