



Features

- 19" Full Flat Panel Touchscreen
- Intel 6th Generation Core i3/i5 CPU
- Sunlight Readable LCD Screen Option
- Up to 16GB with DDR4 2133MHz memory
- Fanless Die Cast Aluminum Housing, IP66 Protected Front
- Wide Range 9~36VDC Power Input

Technical Specifications

Primary Components

Processor Family	Intel Core I series 6th Generation Skylake
Processor Model	Core i3-6100U
Processor Speed	2.3 GHz
Memory Type	1x DDR4 SO-DIMM
Memory Support	4GB, 8GB, 16GB
Storage type	1x 2.5" SATA Drive Bay for SSD/HDD
Storage support	32GB-1TB

Display

Screen Size	19"
Resolution	1280 x 1024 (SXGA)
Screen Ratio	4:3
Brightness	350 nits, Optional 1000 nit High Brightness
Contrast Ratio	1000:1
Viewing Angle	170° (H), 165° (V), 170° (H), 160° (V) High Brightness
Number of Colors Supported	16.7M

Touch Screen

Touch Screen	Projected Capacitive, Resistive
Light Transmission	Over 80% (Resistive), Over 90% (P-Cap)

Expansion Slots

Internal Mini PCIe	1x Mini-PCIe
SD card	1x Full Size SD Slot

Multimedia

Thermal and Environmental

Operating Temperature	Array (32°F – 122°F)
Storage Temperature	Array (-4°F – 140°F)
Humidity Range	10% – 90% Non-condensing
Cooling Solution	Passive – Fanless with Heatsink

External I/O ports

USB	2x USB 3.0
Serial / Com	2x COM
Serial Protocol Detail	1x RS-232/422/485 DB-9, default RS-232(COM1), 1x RS-232 DB-9(COM2)
Ethernet / LAN	2x RJ45 GbE LAN
Video Outputs	1x HDMI
Other Ports	1x 2-Pin DC Power Switch Connector
Audio	1x Audio Line-Out
Power Input Port	3-Pin DC-In (Phoenix Type)

Power

Input Voltage Range	9-32V DC
Standard Power Adapter	Optional 12V AC/DC Adapter

Battery

Operating Systems

Windows	Windows 10 IoT, Windows 7 Pro
---------	-------------------------------

Compatibility

Security Hardware	TPM 2.0
-------------------	---------

Enclosure

Material	Aluminum
Ip Rating	IP66 Front Bezel
Mounting Options	Panel Mount, VESA Mount

Peripherals & Wireless Connectivity

Dimensions / Weight

Weight	7.32 KG (16.1 lbs)
Dimensions	468 x 380 x 65 mm (18.4 x 15.0 x 2.6 in)

Certification

Certifications	CE, FCC Class A
----------------	-----------------

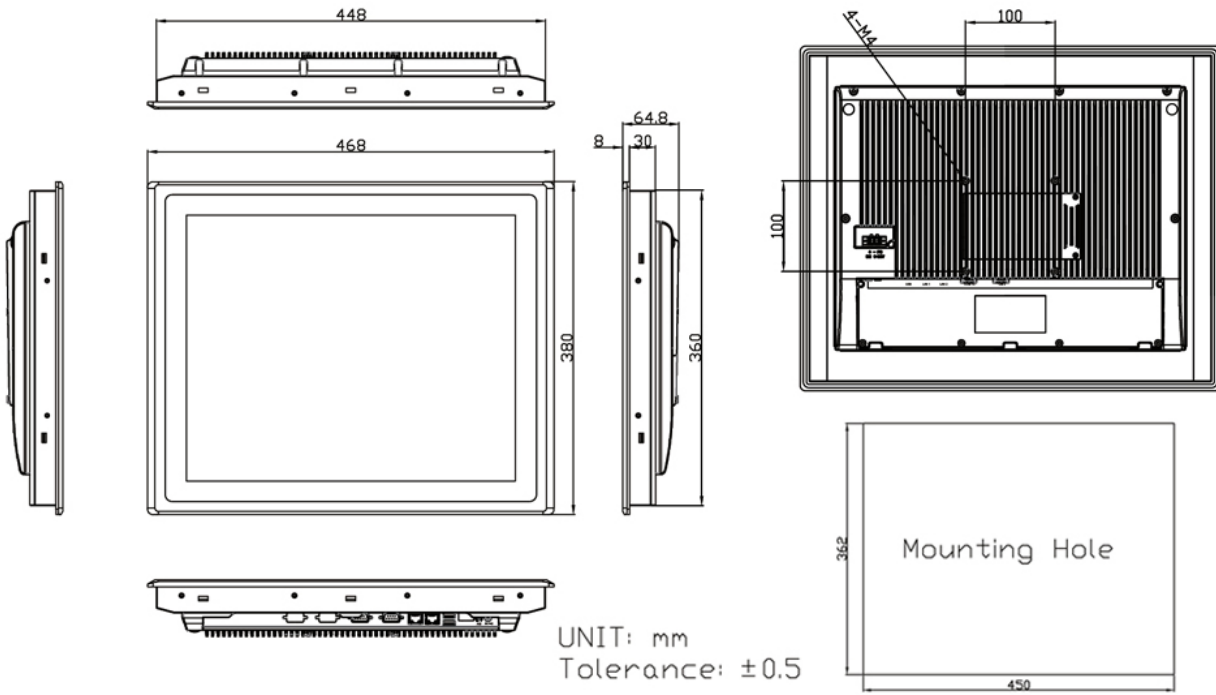
Warranty

Warranty	1 Year
----------	--------

Inputs / Outputs



Technical Drawings



All specifications are subject to change without notice.