



Features

- 18.5" Full Flat IP54 Protected Touchscreen
- Intel Skylake Core i3/i5 CPU
- Thin, Attractive, Design with Die-Cast Housing
- Several I/O Ports and an HDD Bay
- Fanless and Low Power Consumption

Technical Specifications

Primary Components

Processor Family	Intel Core I series 6th Generation Skylake
Processor Model	Core- i3-6100U
Processor Speed	2.3 GHz, 2.4 GHz
Memory Type	1x DDR3 SO-DIMM
Memory Support	2GB, 4GB, 8GB
Storage type	1x 2.5" SATA Drive Bay for SSD/HDD
Storage support	32GB-1TB

Display

Screen Size	18.5"
Resolution	1366 x 768, Optional 1920 x 1080
Screen Ratio	16:9
Brightness	250 nits

Touch Screen

Touch Screen	Projected Capacitive
--------------	----------------------

Multimedia

Speakers	2x 2W Speakers
Camera	2MP Webcam

Thermal and Environmental

Operating Temperature	Array (32°F – 95°F)
Storage Temperature	Array (-4°F – 140°F)
Humidity Range	20% – 85% Non-condensing
Cooling Solution	Passive – Fanless

Enclosure

Material	Aluminum
Ip Rating	IP54 Front Bezel
Color	Black, White
Mounting Options	VESA 75 Mount, Wall Mount

External I/O ports

USB	2x USB 2.0, 4x USB 3.0
Ethernet / LAN	2x RJ45 GbE LAN
Video Outputs	1x DVI, 1x VGA, 1x Optional DisplayPort
Power Input Port	4-Pole DIN (latching)

Power

Input Voltage Range	12-48V DC for Core i5 CPU, 19V only for Core i3 CPU
Standard Power Adapter	120W

Operating Systems

Windows	Windows 10 IoT, Windows 10 Pro
---------	--------------------------------

Compatibility

Security Hardware	fTPM 2.0, Intel vPro Technology: Intel AMT Supported
-------------------	--

Expansion Slots

Internal Mini PCIe video card support	1x Mini-PCIe (half size) Intel HD Graphics
---------------------------------------	--

Peripherals & Wireless Connectivity

WiFi	Optional 802.11 b/g/n WLAN card + Bluetooth 4.0
Barcode Scanner	Optional 1D/2D Barcode Scanner
RFID Smartcard Reader	Optional RFID Module Optional Smart IC Card Reader

Dimensions / Weight

Weight	6.8 KG (15.0 lbs)
Dimensions	464 x 48 x 284 mm (18.3 x 1.9 x 11.2 in)

Certification

Certifications	CE, FCC Class A, IEC 60950-1
----------------	------------------------------

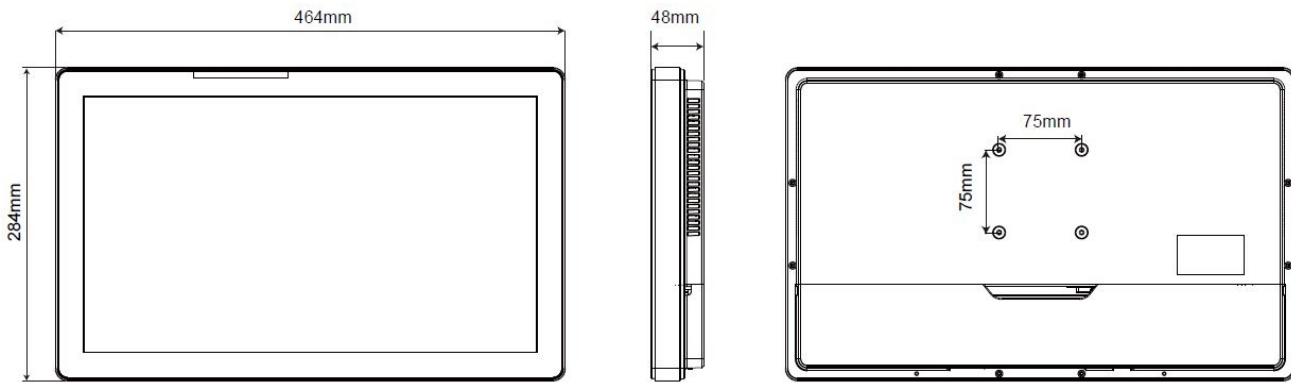
Warranty

Warranty	Up to 5 Years
----------	---------------

Inputs / Outputs



Technical Drawings



All specifications are subject to change without notice.