



Features

- 18.5" True Flat IP65 Protected Touchscreen
- Intel Skylake Celeron/i5 Dual-core CPU
- Isolated RS232, LAN and USB Available
- Anti-bacterial Aluminum Housing
- IEC 60601-1 4th Ed Certified
- TPM 2.0, Intel vPro Supported*

Technical Specifications

General

Main Category Medical Computer

Primary Components

Processor Family Intel Celeron or Core I 6th Generation Skylake
 Processor Model Celeron 3955U; Core- i5-6300U
 Processor Speed Base 2.0 GHz
 Memory Type 2x DDR4 SO-DIMM
 Memory Support 4GB, 8GB, 16GB, 32GB
 Storage type 1x 2.5" SATA Drive Bay for SSD/HDD (easily accessible)
 Storage support 32GB-1TB

Display

Screen Size 18.5"
 Resolution 1366 x 768, Optional 1920 x 1080
 Screen Ratio 16:9
 Brightness 250 nits

Touch Screen

Touch Screen Projected Capacitive

Expansion Slots

Internal Mini PCIe 1x Mini-PCIe (half size)
 Internal M.2 1x M.2 Slot half-size Type E

Multimedia

Speakers 2x 2W Speakers
 Camera 2MP Webcam

Thermal and Environmental

Operating Temperature Array (32°F – 104°F)
 Storage Temperature Array (-4°F – 140°F)
 Humidity Range 20% – 85% Non-condensing
 Cooling Solution Passive – Fanless

Enclosure

Material Aluminum
 Ip Rating IP65 Front Bezel
 Color Black, White
 Antibacterial Housing Yes
 Mounting Options VESA 75 Mount

External I/O ports

USB	4x USB 3.0
Serial / Com	2x COM
Serial Protocol Detail	RJ-48, Supports RS-232
Ethernet / LAN	2x RJ45 GbE LAN
Video Outputs	1x HDMI
Other Ports	Optional Isolated I/O: RS-232, RJ45 LAN, USB
Audio	1x Audio Line-Out, 1x Mic-In

Power

Input Voltage Range	12-48V DC
Standard Power Adapter	65W/19V AC/DC Adapter

Battery

Operating Systems

Windows	Windows 10 IoT, Windows 10 Pro
Linux	Linux (Contact your sales rep for more information)

Compatibility

Security Hardware	TPM 2.0, Intel vPro *Not available with Celeron
-------------------	---

Peripherals & Wireless Connectivity

WiFi	Optional 802.11 b/g/n WLAN card and Bluetooth 4.0
------	---

Dimensions / Weight

Weight	6.8 KG (15.0 lbs)
Dimensions	464 x 48 x 284 mm (18.3 x 1.9 x 11.2 in)

Certification

Certifications	60601-1 4th Edition, CE, FCC Class B, LVD
----------------	---

Warranty

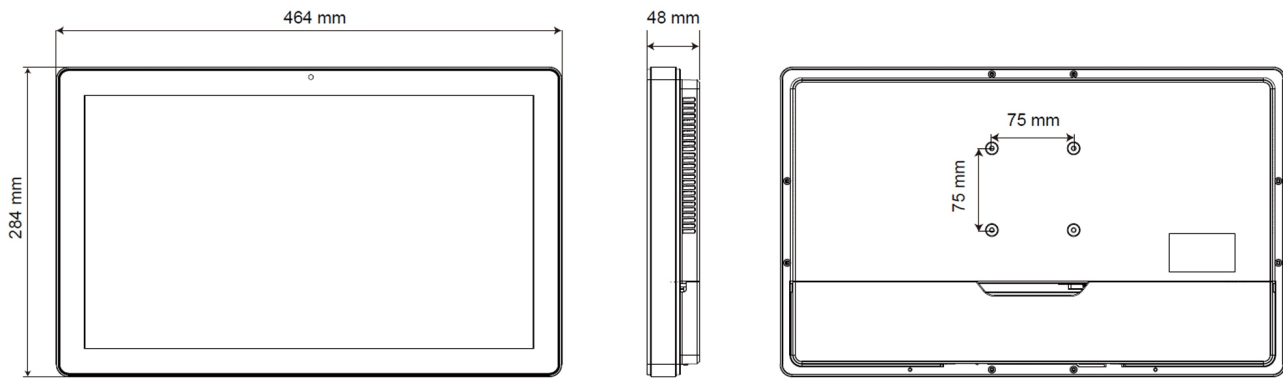
Warranty	Up to 5 Years
----------	---------------

Filters

Inputs / Outputs



Technical Drawings



All specifications are subject to change without notice.