



Features

- 17" Full Flush LCD Touchscreen
- Intel Celeron N2930 CPU with SoC
- IP66 Rated, Fully Sealed, Fanless Design
- Resistive or Projected Capacitive Touchscreen
- Easy to Clean with Touchscreen On/Off Button
- Optional PoE LAN Port for System Power

Technical Specifications

Primary Components

Processor Family	Intel Celeron Bay Trail
Processor Model	N2930
Processor Speed	1.83 GHz
Memory Type	Onboard DDR3
Memory Support	4GB
Storage type	1x 2.5" SATA Drive Bay for SSD/HDD
Storage support	32GB-1TB

Display

Screen Size	17"
Resolution	1280 x 1024 (SXGA)
Screen Ratio	4:3
Brightness	350 nits, Optional 1000 nit High Brightness
Contrast Ratio	1000:1
Viewing Angle	170° (H), 170° (V)
Number of Colors Supported	16.7M

Touch Screen

Touch Screen	Projected Capacitive, Resistive
Light Transmission	Over 80% (Resistive), Over 90% (P-Cap)

Thermal and Environmental

Operating Temperature	Array (32°F – 122°F; Optional -4°F – 140°F)
Storage Temperature	Array (-22°F – 158°F)
Humidity Range	10% – 90% Non-condensing
Cooling Solution	Passive – Fanless

Enclosure

Material	Optional SUS316 Stainless Steel, SUS304 Stainless Steel
Ip Rating	IP66
Color	Stainless Steel
Control Buttons	Power Button, Power Switch
Mounting Options	Side Mount, VESA 75 Mount

Peripherals & Wireless Connectivity

RFID	Optional RFID Module
------	----------------------

External I/O ports

USB	2x M12 8Pin for USB 1/2 and USB 3/4
Serial / Com	1x COM
Serial Protocol Detail	1x M12 8Pin for RS-232/422/485 COM Port
Ethernet / LAN	1x M12 8pin RJ45 Gbe LAN
Power Input Port	M12 type 3-PIN DC-in

Dimensions / Weight

Weight	7.1 KG (15.7 lbs)
Dimensions	432 x 358 x 55.3 mm (17.0 x 14.1 x 2.2 in)

Power

Input Voltage Range 9-36V DC

Certification

Certifications CE, FCC Class A

Operating Systems

Windows Windows 10 IoT, Windows 10 Pro, Windows 8.1 Pro

Warranty

Warranty Up to 5 Years

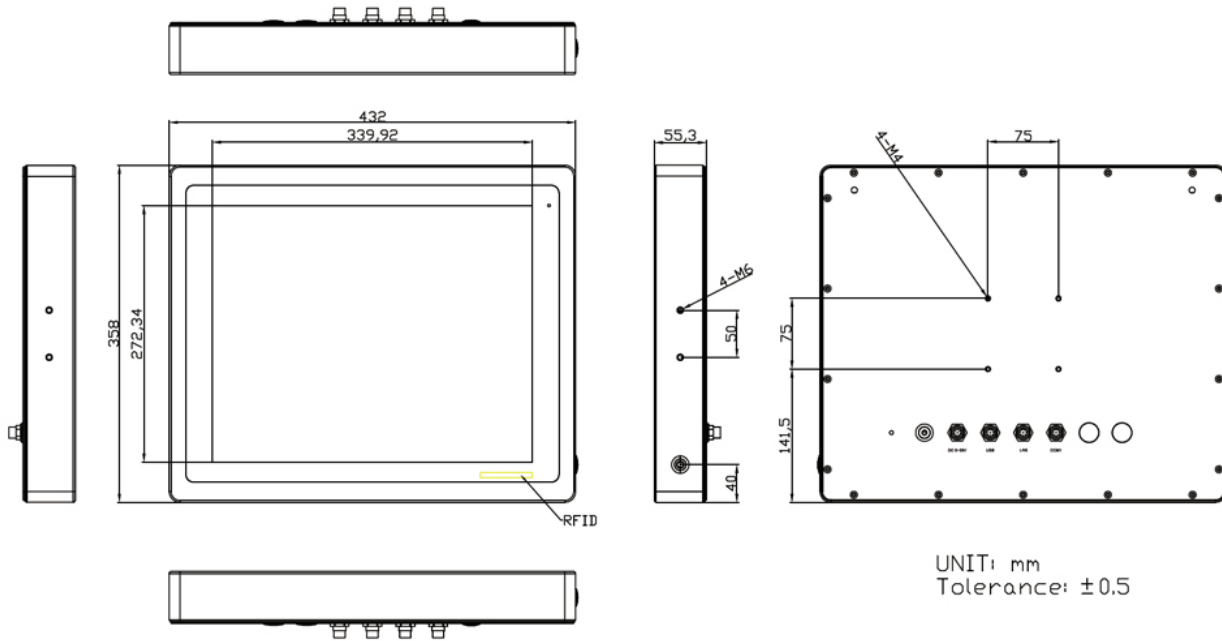
Expansion Slots

Internal Mini PCIe 1x Mini-PCIe

Inputs / Outputs



Technical Drawings



All specifications are subject to change without notice.