



Features

- 15" Full-Flush LCD Display
- Resistive or Projected Capacitive Touchscreen
- IP66/IP69K and NEMA 4x Compliant
- HDMI and VGA Inputs
- M12 Metal I/O Connectors
- Grade 304 Stainless Steel Enclosure

Technical Specifications

General

Main Category Industrial Computer

Primary Components

Display

Screen Size 15"
 Resolution 1024 x 768 (XGA)
 Screen Ratio 4:3
 Brightness 450 nits, Optional 1000 nit High Brightness
 Contrast Ratio 700:1
 Viewing Angle 160° (H), 160° (V)
 Number of Colors Supported 16.7M

Touch Screen

Touch Screen Projected Capacitive, Resistive
 Light Transmission Over 80% (Resistive), Over 90% (P-Cap)

External I/O ports

USB 1x M12 USB
 Video Inputs 1x M12 HDMI, 1x M12 VGA
 Power Input Port M12 type 3-PIN DC-in

Expansion Slots

Multimedia

Speakers Optional Speaker

Thermal and Environmental

Operating Temperature Array (-4°F – 140°F)
 Storage Temperature Array (-22°F – 158°F)
 Humidity Range 10% – 90% Non-condensing
 Cooling Solution Passive – Fanless

Enclosure

Material SUS304 Stainless Steel, Optional SUS316 Stainless Steel
 Ip Rating IP66, IP69K
 Control Buttons On-Screen Display (OSD), Touchscreen Lock for Cleaning
 Mounting Options VESA 75 Mount, Yoke Mount

Peripherals & Wireless Connectivity

Power

Input Voltage Range 9-36V DC
 Max Power consumption 9.2W

Battery

Operating Systems

Compatibility

Dimensions / Weight

Weight 6.5 KG (14.3 lbs)
 Dimensions 339 x 324 x 53 mm (13.3 x 12.8 x 2.1 in)

Certification

Certifications CE, FCC Class A

Warranty

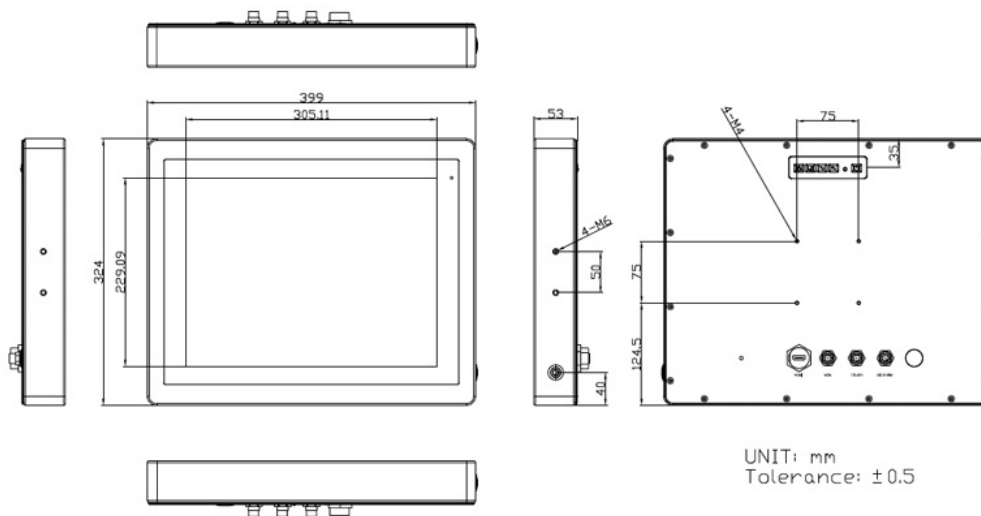
Warranty Up to 5 Years

Filters

Inputs / Outputs



Technical Drawings



All specifications are subject to change without notice.