



Features

- 15" P-CAP Multi-Touch Touchscreen
- Intel Celeron N2930 Quad Core Processor
- MIL-STD-810F/G Compliant for Vibration and Shock
- Full IP65 Waterproof Housing with M12 Waterproof Connectors
- Ultra-Low Power Consumption

Technical Specifications

Primary Components

Processor Family	Intel Celeron Bay Trail
Processor Model	N2930
Processor Speed	1.83 GHz
Memory Type	1x DDR3L SO-DIMM
Memory Support	2GB, 4GB, 8GB
Storage type	mSATA
Storage support	32GB-512GB

Display

Screen Size	15"
Resolution	1024 x 768 (XGA)
Screen Ratio	4:3
Brightness	250 nits, Optional 1000 nit High Brightness
Contrast Ratio	700:1
Viewing Angle	160° (H), 140° (V)
Number of Colors Supported	16.2M

Multimedia

Speakers	1x 1W Speaker
----------	---------------

Thermal and Environmental

Operating Temperature	Array (5°F – 131°F)
Humidity Range	10% – 95% Non-condensing
Cooling Solution	Passive – Fanless

Touch Screen

Touch Screen Projected Capacitive

Enclosure

Material Anti-Corrosion Painted
Ip Rating IP65
Color Black
Control Buttons Power Button, Power Reset
Shock Rating 40g for 11ms
Vibration Rating 1.48/1.98/2.24 g rms for XYZ /
5Hz – 500Hz
Mounting Options VESA 100 Mount
Approved Cleaning Solutions Acetone, Alcohol, Club Soda,
Hydrochloric Acid, Methyl
Alcohol, Mineral Spirits, Nitric
Acid, Sulfuric Acid (low
concentration), Vinegar, Warm
Water
Cleaning Instructions [View instructions here](#)

External I/O ports

USB 1x M12 USB
Serial / Com 1x COM
Serial Protocol Detail 1x RS-232/422/485, default
RS-232 (M12 type)
Ethernet / LAN 1x M12 8pin RJ45 Gbe LAN
Power Input Port M12 type 3-PIN DC-in

Dimensions / Weight

Weight 6.8 KG (15.0 lbs)
Dimensions 363.40 x 277.86 x 44.50 mm
(14.3 x 10.9 x 1.8 in)

Power

Input Voltage Range 9-36V DC
Max Power consumption 25W

Certification

Certifications CE, FCC

Operating Systems

Windows Windows 10 IoT, Windows 10
Pro, Windows 7 Pro

Warranty

Warranty Up to 5 Years

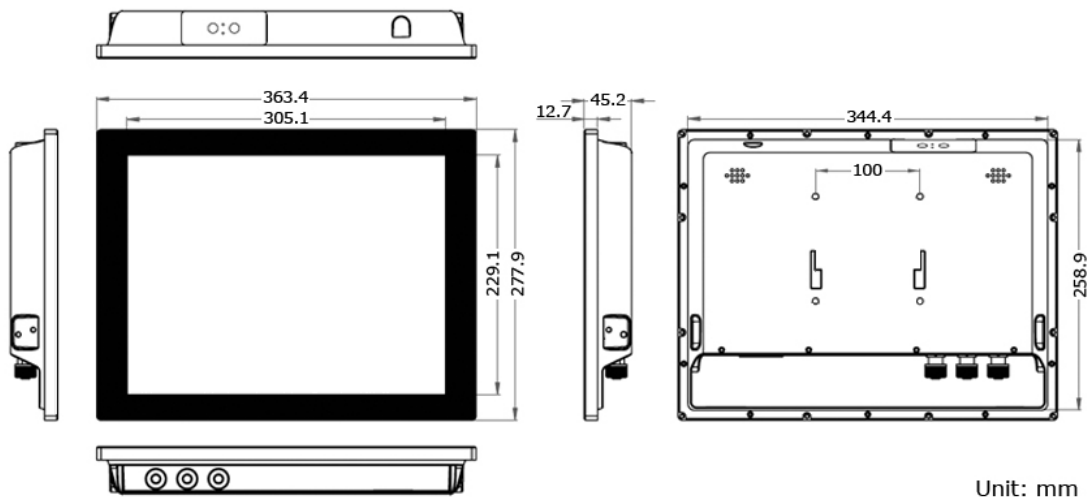
Compatibility

Security Hardware TPM 1.2

Inputs / Outputs



Technical Drawings



All specifications are subject to change without notice.