



Features

- 15" LCD Touchscreen
- Intel Celeron J1900 CPU
- Sealed Cable Gland Design
- IP66, IP69K, Optional IP67
- Full Waterproof Stainless Steel Housing

Technical Specifications

Primary Components

| | |
|------------------|------------------------------------|
| Processor Family | Intel Celeron Bay Trail |
| Processor Model | J1900 Quad Core |
| Processor Speed | 2.0 GHz |
| Memory Type | 2x DDR3 SO-DIMM |
| Memory Support | 2GB, 4GB, 8GB |
| Storage type | 1x 2.5" SATA Drive Bay for SSD/HDD |
| Storage support | 32GB-1TB |

Display

| | |
|----------------------------|-----------------------------------|
| Screen Size | 15" |
| Resolution | 1024 x 768 (XGA) |
| Screen Ratio | 4:3 |
| Brightness | Optional 1000 nit High Brightness |
| Contrast Ratio | 600:1 |
| Viewing Angle | 160° (H), 160° (V) |
| Number of Colors Supported | 16.7M |

Multimedia

| | |
|----------|------------------|
| Speakers | Optional Speaker |
|----------|------------------|

Thermal and Environmental

| | |
|-----------------------|--------------------------|
| Operating Temperature | Array (32°F – 104°F) |
| Storage Temperature | Array (-4°F – 140°F) |
| Humidity Range | 10% – 90% Non-condensing |
| Storage Humidity | 10% – 90% Non-condensing |
| Cooling Solution | Passive – Fanless |

Touch Screen

| | |
|--------------------|---------------------------------|
| Touch Screen | Projected Capacitive, Resistive |
| Light Transmission | 80±5% |
| Hardness | 4H |

Enclosure

| | |
|-----------------------------|--|
| Material | Optional SUS316 Stainless Steel, SUS304 Stainless Steel |
| Ip Rating | IP66, Optional IP67, IP69K |
| Color | Stainless Steel |
| Control Buttons | Power Button |
| Mounting Options | Table Mount, VESA 100 Mount, Wall Mount |
| Approved Cleaning Solutions | Acetic Acid (low concentration), Ammonium Nitrate (low concentration), Benzine, Citric Acid (low concentration), Ethanol, Ethylene Glycol Solution (1:1 with water), Hexane, Hydrochloric Acid (low concentration), Iron Chloride Solution, Isooctane, Isopropyl Alcohol, Nitric Acid (low concentration), Paraffin, Perhydrol (30% in water), Phosphoric Acid (low concentration), Propane, Silicone Oil, Sodium Carbonate (low concentration), Sodium Chloride Solution, Sodium Nitrate (low concentration), Sulfuric Acid (low concentration), Triethylene Glycol |

Cleaning Instructions [View instructions here](#)

External I/O ports

| | |
|------------------------|---|
| USB | 3x USB 2.0, 1x USB 3.0 |
| Serial / Com | 2x COM |
| Serial Protocol Detail | 1x RS-232, 1x RS-232/422/485 (RS485 supports auto flow control, Jumperless configuration in BIOS) |
| Ethernet / LAN | 2x RJ45 GbE LAN |
| Video Outputs | 1x DVI-I |
| Audio | 1x Audio Line-Out |
| Power Input Port | M12 type 5-PIN DC-in |

Peripherals & Wireless Connectivity

| | |
|-----------------|--|
| WiFi | Optional WiFi + Bluetooth Flat Antenna Kit |
| Barcode Scanner | Optional 1D/2D Barcode Scanner |

Power

Input Voltage Range 7-32V DC
 Max Power 30.1W
 consumption
 Standard Power AC 90 ~ 264V / 47 ~ 63 Hz /
 Adapter DC Output 12V, IP68, AC
 Cable 2130MM

Dimensions / Weight

Weight 7.6 KG (16.8 lbs)
 Dimensions 395 x 319.5 x 105 mm (15.6 x
 12.6 x 4.1 in)

Operating Systems

Windows Windows 10 IoT, Windows 10
 Pro, Windows 7 Pro

Certification

Certifications CE, FCC, VCCI Class B

Compatibility

Security Hardware Optional TPM 2.0

Warranty

Warranty Up to 5 Years

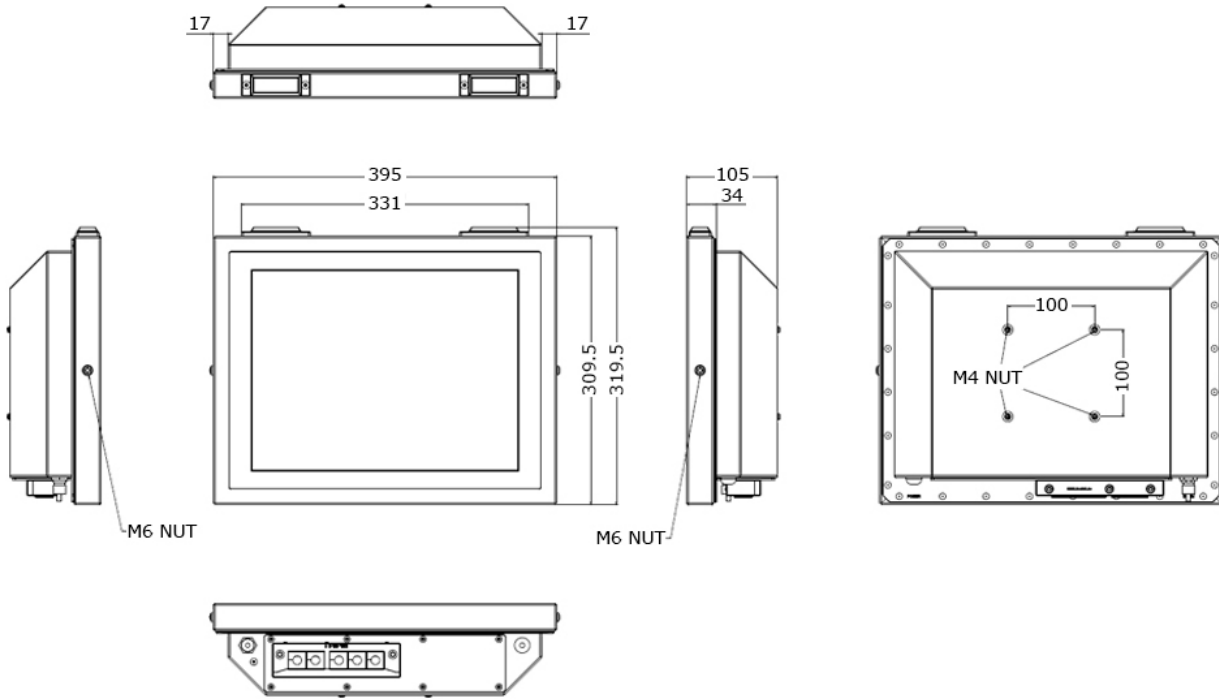
Expansion Slots

Internal Mini PCIe 1x Mini-PCIe
 Internal M.2 1x M.2 Type E

Inputs / Outputs



Technical Drawings



All specifications are subject to change without notice.