



## Features

- 15.6" Projected Capacitive Touchscreen
- IEC 60601-1 Medically Certified
- VGA and HDMI Inputs
- High Resolution 1920 x 1080 Display
- Slim and Light Weight Design

## Technical Specifications

### Display

Screen Size	15.6"
Resolution	1920 x 1080 (Full HD)
Brightness	300 nits
Contrast Ratio	700:1

### Touch Screen

Touch Screen	Projected Capacitive (Multi-touch)
--------------	------------------------------------

### External I/O ports

USB	1x USB 2.0
Video Inputs	1x HDMI, 1x VGA
Audio	1x 3.5mm Audio Line-In

### Power

Standard Power Adapter	External AC to DC Adapter (complies with Level VI efficiency standard)
------------------------	--

### Enclosure

Color	White
Control Buttons	Down, Input, Left, Menu, Right, Up
Mounting Options	VESA 75 Mount

### Dimensions / Weight

Weight	1.6 KG (3.5 lbs)
Dimensions	387.8 x 232.9 x 38.4 mm (15.3 x 9.2 x 1.5 in)

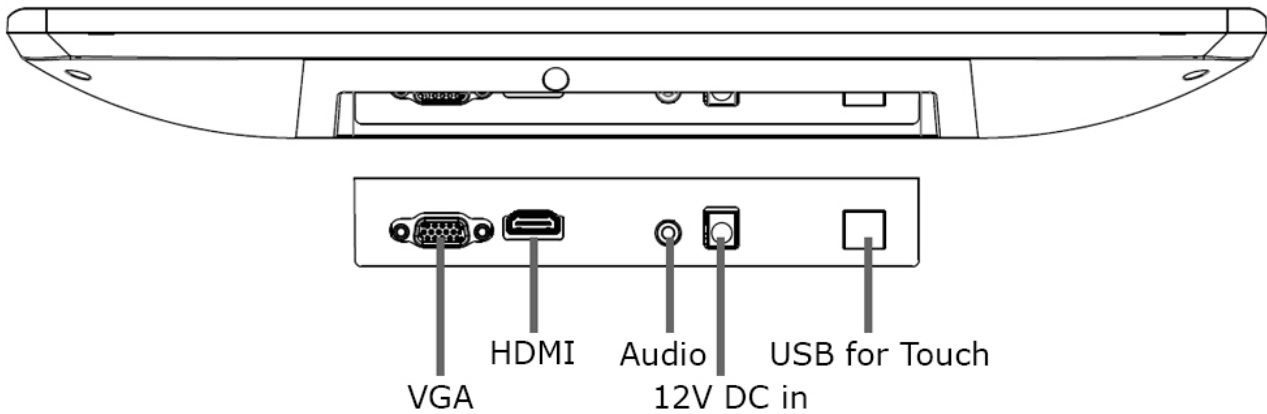
### Certification

Certifications	60601-1 4th Edition
----------------	---------------------

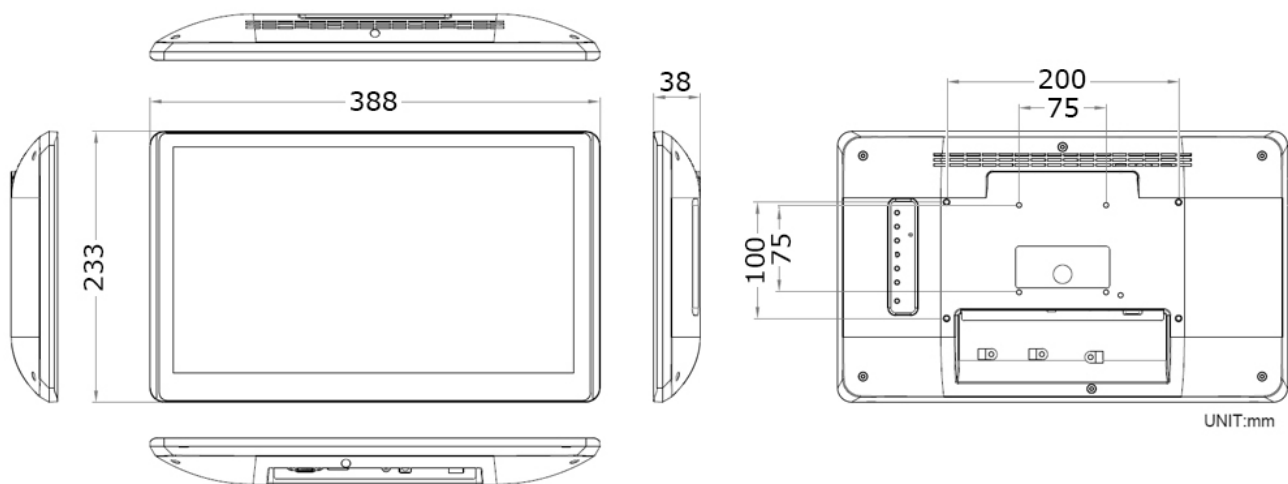
### Warranty

Warranty	Up to 5 Years
----------	---------------

Inputs / Outputs



Technical Drawings



*All specifications are subject to change without notice.*