



## Features

- 15.6" High Resolution LCD Touchscreen
- Rugged Die Cast Aluminum Enclosure
- Optional Sunlight Readable 1000 Nit LCD
- IP66 Compliant Front Panel
- Resistive or Projected Capacitive Touchscreen
- Wide Range DC 9~36V Power Input

## Technical Specifications

### Primary Components

#### Display

|                            |   |
|----------------------------|---|
| Screen Size                | 15.6"                                       |
| Resolution                 | 1366 x 768, Optional 1920 x 1080            |
| Screen Ratio               | 16:9  |
| Brightness                 | 300 nits, Optional 1000 nit High Brightness |
| Contrast Ratio             | 500:1                                       |
| Viewing Angle              | 160° (H), 160° (V)                          |
| Number of Colors Supported | 16.7M                                       |

#### Touch Screen

|                    |  |
|--------------------|--|
| Touch Screen       | Projected Capacitive, Resistive        |
| Light Transmission | Over 80% (Resistive), Over 90% (P-Cap) |
| Lifetime Usage     | 50,000 hrs                             |

### Expansion Slots

#### Multimedia

|          |                  |
|----------|------------------|
| Speakers | Optional Speaker |
|----------|------------------|

### Thermal and Environmental

|                       |                          |
|-----------------------|--------------------------|
| Operating Temperature | Array (-4°F – 140°F)     |
| Storage Temperature   | Array (-22°F – 158°F)    |
| Storage Humidity      | 10% – 90% Non-condensing |
| Cooling Solution      | Passive – Fanless        |

## External I/O ports

|                  |   |
|------------------|---|
| USB              | 1x USB Type B Default (Optional RS-232 DB9) |
| Video Inputs     | 1x HDMI, 1x DVI-D, 1x DisplayPort, 1x VGA   |
| Audio            | 1x Optional Speaker with 1x Audio Input     |
| Power Input Port | 3-Pin DC-In (Phoenix Type)                  |

## Power

|                        |                                  |
|------------------------|----------------------------------|
| Input Voltage Range    | 9-32V DC                         |
| Max Power consumption  | 12.2W (Resistive), 12.3W (P-Cap) |
| Standard Power Adapter | Optional 12V AC/DC Adapter       |

## Battery

## Operating Systems

## Compatibility

## Enclosure

|                             |   |
|-----------------------------|---|
| Material                    | Aluminum  |
| Ip Rating                   | IP66 Front Bezel  |
| Color                       | Silver  |
| Mounting Options            | Panel Mount, VESA 100 Mount   |
| Approved Cleaning Solutions | Alcohol, Chlorine and Compounds, Glutaraldehyde, Hydrogen Peroxide, Ortho-phthalaldehyde (OPA), Quaternary Ammonium Compounds |

Cleaning Instructions [View instructions here](#)

## Peripherals & Wireless Connectivity

## Dimensions / Weight

|            |  |
|------------|--|
| Weight     | 4.4 KG (9.7 lbs)                             |
| Dimensions | 412 x 277.5 x 58.9 mm (16.2 x 10.9 x 2.3 in) |

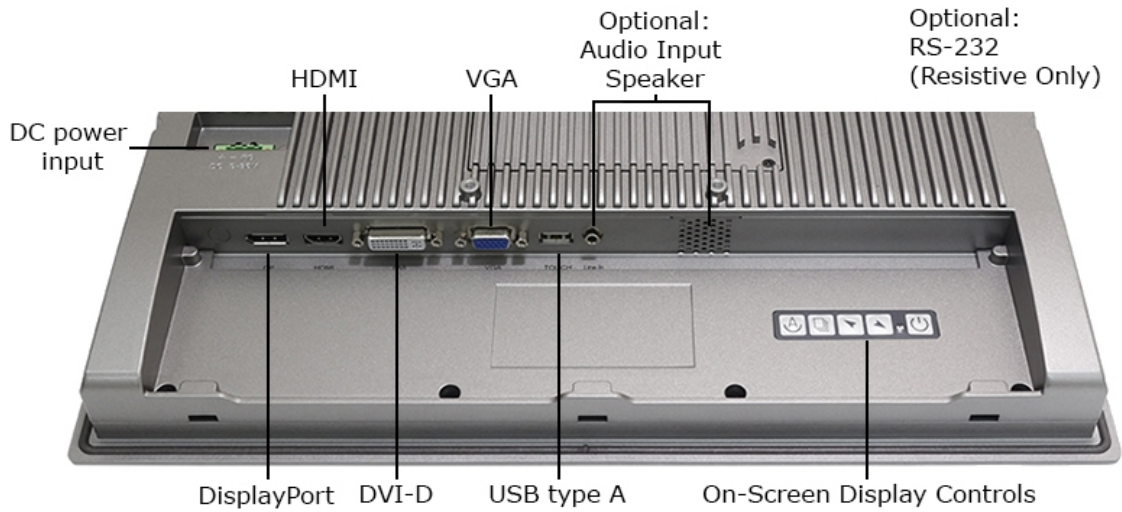
## Certification

|                |                 |
|----------------|-----------------|
| Certifications | CE, FCC Class A |
|----------------|-----------------|

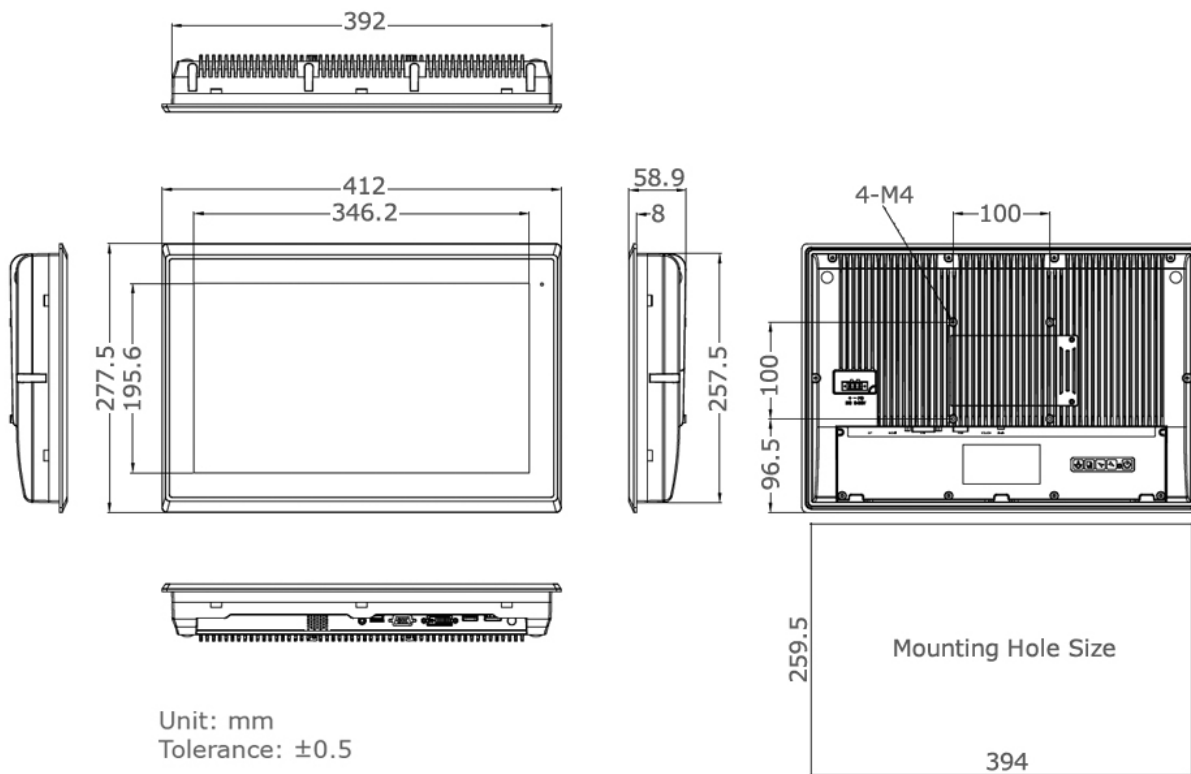
## Warranty

|          |               |
|----------|---------------|
| Warranty | Up to 5 Years |
|----------|---------------|

Inputs / Outputs



Technical Drawings



*All specifications are subject to change without notice.*