



Features

- 12.1" LCD with 800x600 or 1024x768 Resolution
- Rugged Die Cast Aluminum Enclosure
- Full Flat Front Panel
- Resistive or Projected Capacitive Touchscreen
- Wide Range DC 9~36V Power Input
- IP66 Compliant Front Panel

Technical Specifications

Display

Screen Size	12.1"
Resolution	800 x 600 (SVGA), Optional 1024 x 768
Screen Ratio	4:3
Brightness	450 nits, Optional 1000 nit High Brightness
Contrast Ratio	700:1
Viewing Angle	178° (H), 178° (V), 160° (H), 140° (V) High Brightness
Number of Colors Supported	16.2M

Touch Screen

Touch Screen	Projected Capacitive, Resistive
Light Transmission	Over 80% (Resistive), Over 90% (P-Cap)
Lifetime Usage	50,000 hrs, 30,000 hrs (High Brightness)

External I/O ports

USB	1x USB Type B Default (Optional RS-232 DB9)
Video Inputs	1x HDMI, 1x DVI-D, 1x DisplayPort, 1x VGA
Audio	1x Optional Line in by RCA Jack
Power Input Port	3-Pin DC-In (Phoenix Type)

Thermal and Environmental

Operating Temperature	Array (-4°F – 140°F)
Storage Temperature	Array (-22°F – 158°F)
Storage Humidity	10% – 90% Non-condensing
Cooling Solution	Passive – Fanless

Enclosure

Material	Aluminum
Ip Rating	IP66 Front Bezel
Color	Silver
Mounting Options	Panel Mount, VESA 100 Mount

Dimensions / Weight

Weight	2.7 KG (6.0 lbs)
Dimensions	319 x 245 x 51.6 mm (12.6 x 9.6 x 2.0 in)

Power

Input Voltage Range 9-32V DC
Max Power 7.9W (Resistive), 14.8W (P-Cap)
Standard Power Adapter Optional 12V AC/DC Adapter

Certification

Certifications CE, FCC Class A

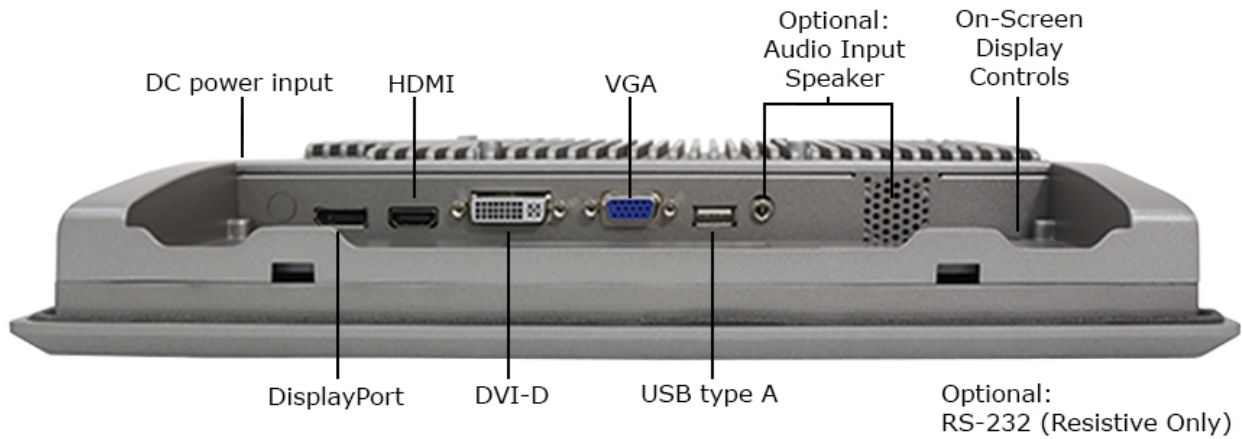
Multimedia

Speakers Optional Speaker

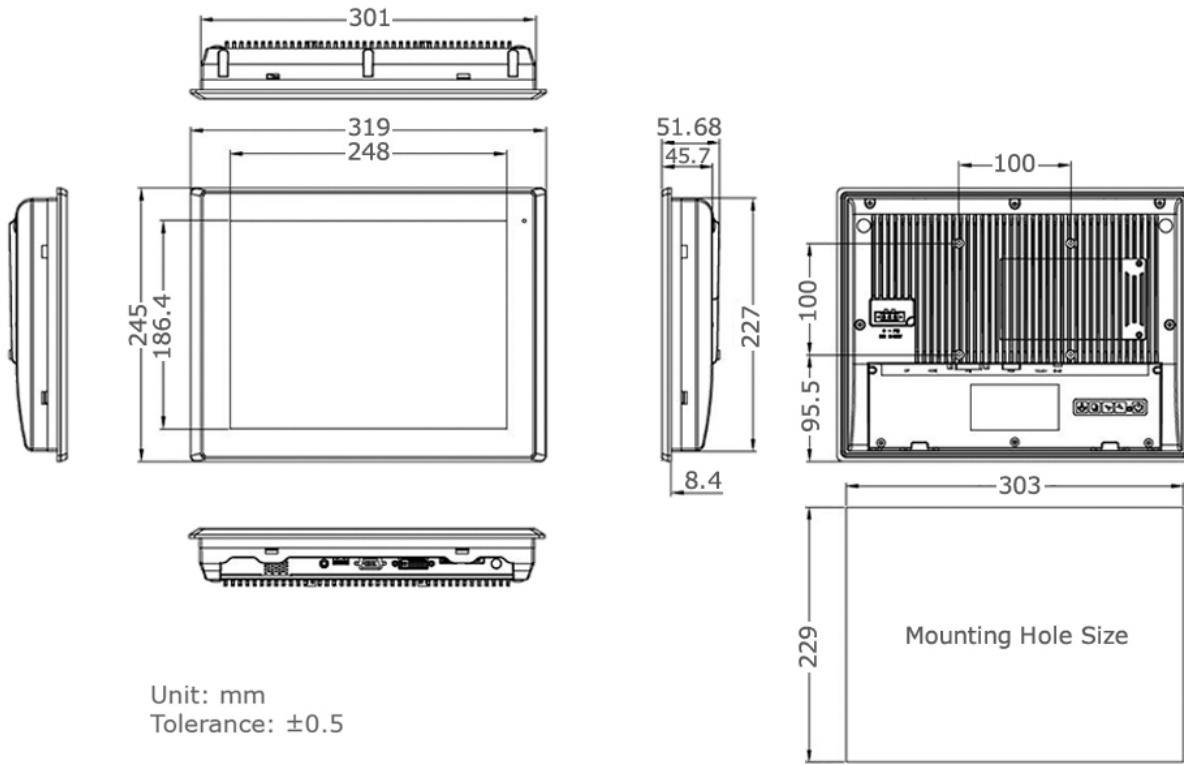
Warranty

Warranty Up to 5 Years

Inputs / Outputs



Technical Drawings



All specifications are subject to change without notice.