



## Features

- 10.4" 4:3 Aspect Ratio Touchscreen
- Intel Celeron Quad Core Processor
- Stainless Steel NEMA 4X / IP66 Enclosure
- IP66 and IP69K Rated
- M12 Metal I/O Connectors
- Fully Sealed and Fanless

## Technical Specifications

### Primary Components

Processor Family	Intel Celeron Bay Trail
Processor Model	J1900 Quad Core
Processor Speed	2.0 GHz
Memory Type	1x DDR3L SO-DIMM
Memory Support	2GB, 4GB, 8GB
Storage type	1x 2.5" SATA Drive Bay for SSD/HDD
Storage support	32GB-1TB

### Display

Screen Size	10.4"
Resolution	800 x 600 (SVGA)
Screen Ratio	4:3
Brightness	230 nits, Optional 1000 nit High Brightness
Contrast Ratio	500:1
Viewing Angle	160° (H), 120° (V)

### Touch Screen

Touch Screen	5 Wire Resistive, Projected Capacitive
Light Transmission	80±5%
Hardness	4H

### Expansion Slots

Internal Mini PCIe	2x Mini-PCIe
video card support	Intel HD Graphics

### Thermal and Environmental

Operating Temperature	Array (32°F – 122°F)
Storage Temperature	Array (-4°F – 140°F)
Humidity Range	10% – 90% Non-condensing
Storage Humidity	10% – 90% Non-condensing
Cooling Solution	Passive – Fanless

### Enclosure

Material	SUS304 Stainless Steel
Ip Rating	IP66, Optional IP67, IP69K
Color	Stainless Steel
Control Buttons	Power Button, Power Reset
Mounting Options	Table Mount, VESA 100 Mount, Wall Mount
Cleaning Instructions	<a href="#">View instructions here</a>

**External I/O ports**

USB	2x M12 8Pin for USB 1/2 and USB 3/4
Serial / Com	2x M12 8-pin for COM
Serial Protocol Detail	RS-232
Ethernet / LAN	1x M12 8pin RJ45 Gbe LAN
Power Input Port	M12 type 3-PIN DC-in

**Peripherals & Wireless Connectivity**

WiFi	Optional Bluetooth kit and WLAN with External Antenna
------	---

**Power**

Input Voltage Range	9-36V DC
Max Power consumption	29.7W
Standard Power Adapter	AC 100~240V / 47 ~ 63 Hz / DC output 12V, IP67, 60W/12V/5A

**Dimensions / Weight**

Weight	6.9 KG (15.2 lbs)
Dimensions	288 x 236 x 58 mm (11.3 x 9.3 x 2.3 in)

**Operating Systems**

Windows	Windows 10 IoT, Windows 10 Pro, Windows 7 Pro
---------	---

**Certification**

Certifications	CE, FCC, VCCI Class B
----------------	-----------------------

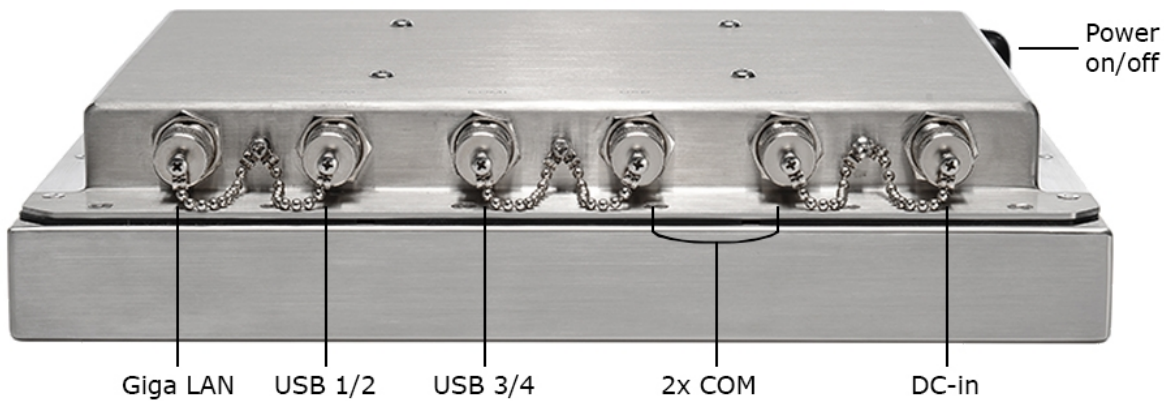
**Compatibility**

Security Hardware	Optional TPM 2.0
-------------------	------------------

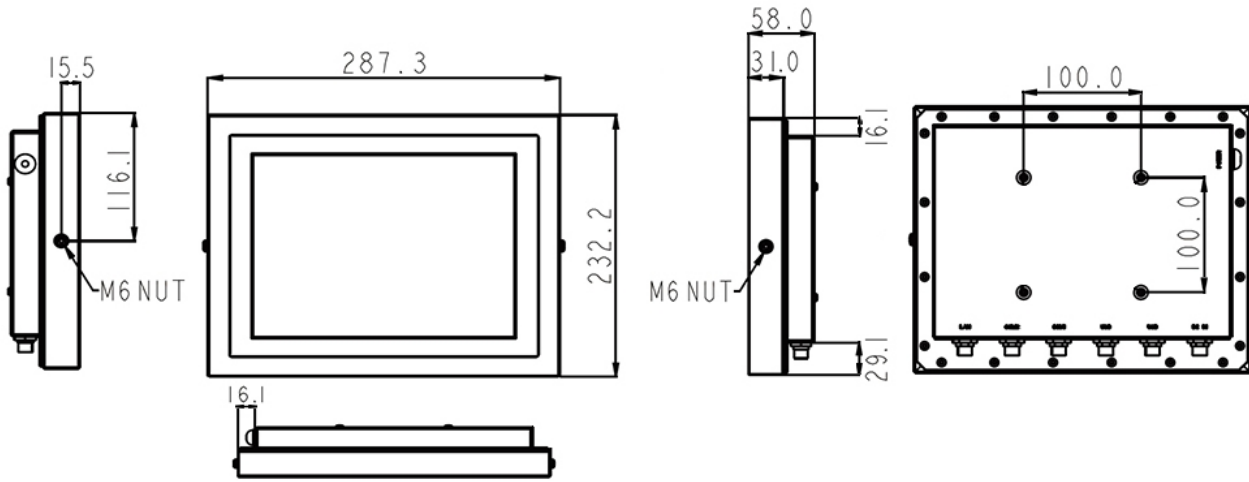
**Warranty**

Warranty	Up to 5 Years
----------	---------------

**Inputs / Outputs**



Technical Drawings



*All specifications are subject to change without notice.*